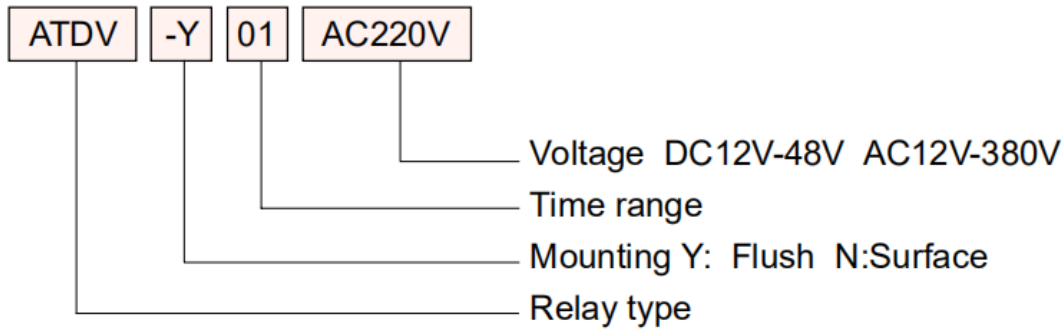


# ATDV Time Relay



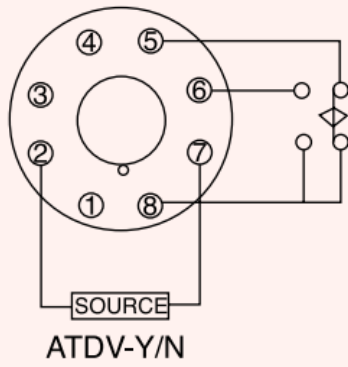
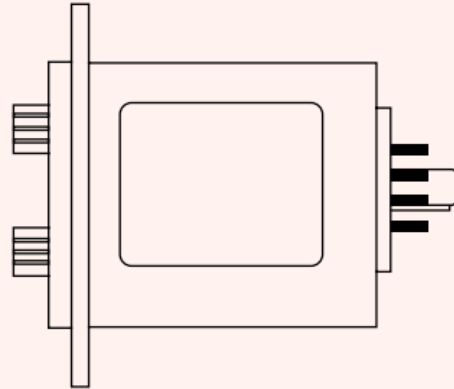
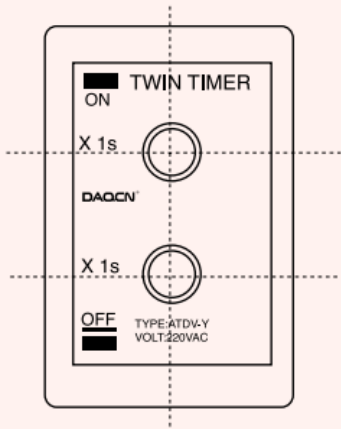
## Specification

Voltage	DC12V-48V AC12V-380V50HZ
Power expend	DC1.0W AC1.0VA
Control output	5A220VAC
Insulation Resistance	DC500V 100MΩ
Dielectric Strength	BCC1500VAC BOC1000VAC
Operating Temperature	-10°C~50°C
Humidity	35%~85%
Life	Mech:10 <sup>7</sup> Elec:10 <sup>3</sup>
Weight	≈ 210g

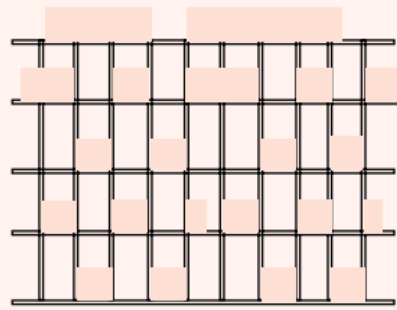
## Time range

Product Specification	Time range	Product Specification	Time range
ATDV-Y/N-01	6S*6S	ATDV-Y/N-07	60M*6M
ATDV-Y/N-02	6S*60S	ATDV-Y/N-08	60M*60M
ATDV-Y/N-03	60S*6S	ATDV-Y/N-09	6H*6H
ATDV-Y/N-04	60S*60S	ATDV-Y/N-10	6H*12H
ATDV-Y/N-05	6M*6M	ATDV-Y/N-11	12H*6H
ATDV-Y/N-06	6M*60M	ATDV-Y/N-12	12H*12H

# Dimension.Bottom View



POWER(2-7)  
 NC(8-5)  
 NO(8-6)  
 NOLAMP  
 UPLAMP



ATDV-Y,ATDV-N延时波形