

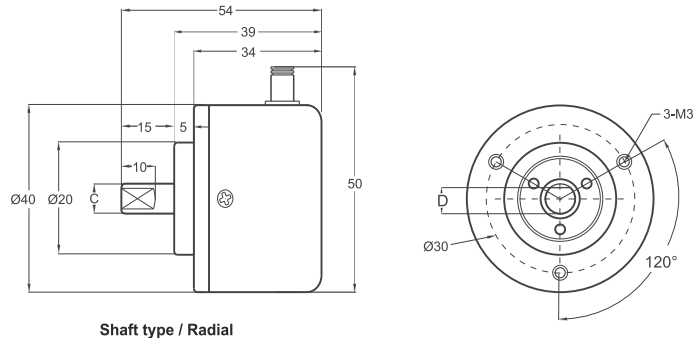
## Optic Rotary Incremental Encoder

- 40 mm case diameter
- 100 - 200 - 360 - 500 - 600 - 1000 - 1024 ppr.
- Push-Pull, TTL Linedriver and HTL Linedriver outputs
- Shaft diameter 4 - 6 mm
- 3500 rpm max.



### Technical Specifications

Resolution	100 to 1024 ppr.
Output Channels	A,B,Z or A,Ā, B,Ā, Z,Z̄
Output Type	Push-Pull, TTL Linedriver, HTL Linedriver
Supply Voltage	5 VDC, 8 - 24 VDC or 5 - 24 VDC
Power Consumption (without load)	< 40 mA (24 VDC)
Cable	1.5 m (standard), shielded 5 wire cable for Push-Pull 1.5 m (standard), shielded 8 wire cable for Linedriver
Max. Permissible Shaft Loading Radial	80 N
Max. Speed	3500 rpm
Shaft Diameter	Ø4 - 6 mm
Shaft Material	Stainless steel
Case Diameter	Ø40 mm
Case Material	Aluminium and painted steel
IP Degree	IP 54
Operating Temperature	-20°C ... +80°C
Storage Temperature	-30°C ... +90°C



Shaft type / Radial

PRI 40	R (shaft)	
	C	D
	Ø4 mm	3.30 mm
	Ø6 mm	5.30 mm

#### Push-Pull Cable Output

+V : Brown  
0V : White  
GND : Shield  
Ch A : Yellow  
Ch B : Green  
Ch Z : Gray

#### TTL - HTL Linedriver Cable Output

+V : Brown  
0V : White  
GND : Shield  
Ch A : Yellow  
Ch B : Green  
Ch Z : Gray  
Ch A inv.: Blue  
Ch B inv.: Red  
Ch Z inv.: Pink

Model	Case Diameter	Case Type	Shaft Diameter	Output Type	Resolution	Output Channels	Supply Voltage	Connector / Cable	Cable Output
(example) PRI	40	A	R6	HLD	1024	Z	V2	2M5	R
PRI	40mm	A: Clamping flange	R4: 4mm R6: 6mm	LTP : Push-Pull LD : TTL Linedriver HLD: HTL Linedriver	100 ... 1024 ppr.	Z :A,B,Z B :A,B ZZ: Ā,Ā,Z̄	V1: 5 VDC V2: 8-24 VDC V3: 5-24 VDC	2M5: 2,5 meter cable 5M : 5 meter cable	R: Radial