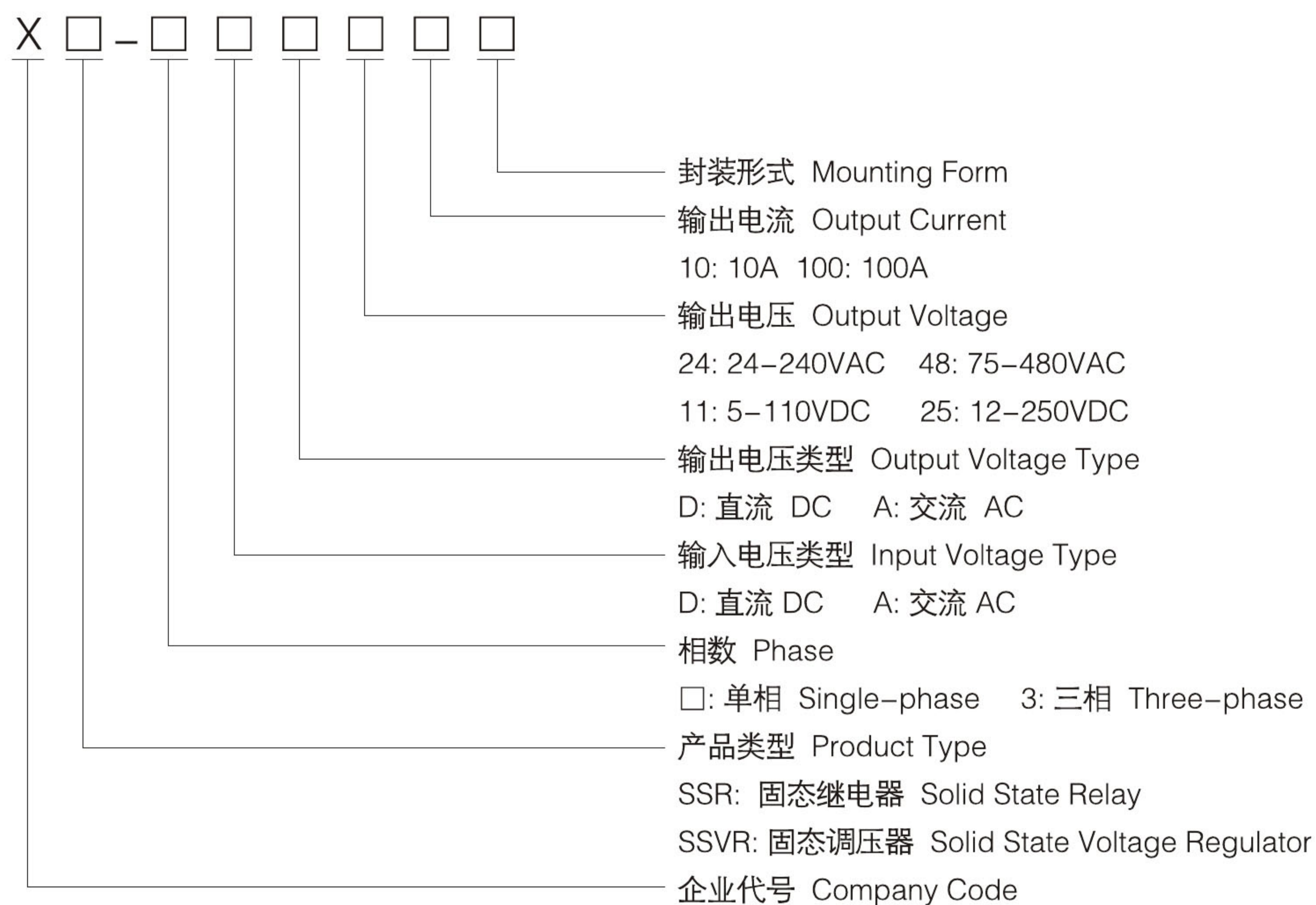


- 输入输出光电隔离或变压器隔离；
- 输入恒流控制及LED显示，控制信号与TTL和CMOS逻辑兼容；
- 双向可控硅或单向可控反并联输出，零电流开启零电流关断；
- 功率固态更采用SCR芯片反并联输出，工作稳定可靠；
- 内置阻容吸收回路，小死区电压，小谐波干扰；
- 高于2.5KV的输入输出及底板间的安全绝缘电压；
- 体积小、输入功率小、无触点、无火花、无噪音、无机械磨损、耐振动、长寿命。

- Input and output electro-optic isolation or transformer isolation;
- Input constant current control and LED display, control signal and TTL & CMOS logic is compatible;
- Bidirectional controlled silicon or unidirectional controllable counter-parallel output, zero electric current opening zero electric current shutdown;
- Power solid state uses the SCR chip counter-parallel output and working is stable;
- Built-in resistance-capacitance absorbing circuit, dead zone voltage and small harmonic interference;
- Higher than of 2.5KV safe isolation voltage between the input output and ledger wall's;
- Small volume, small input power, non-contact, sparkless, noiseless, non-machinery wear, anti-vibration and the long life.



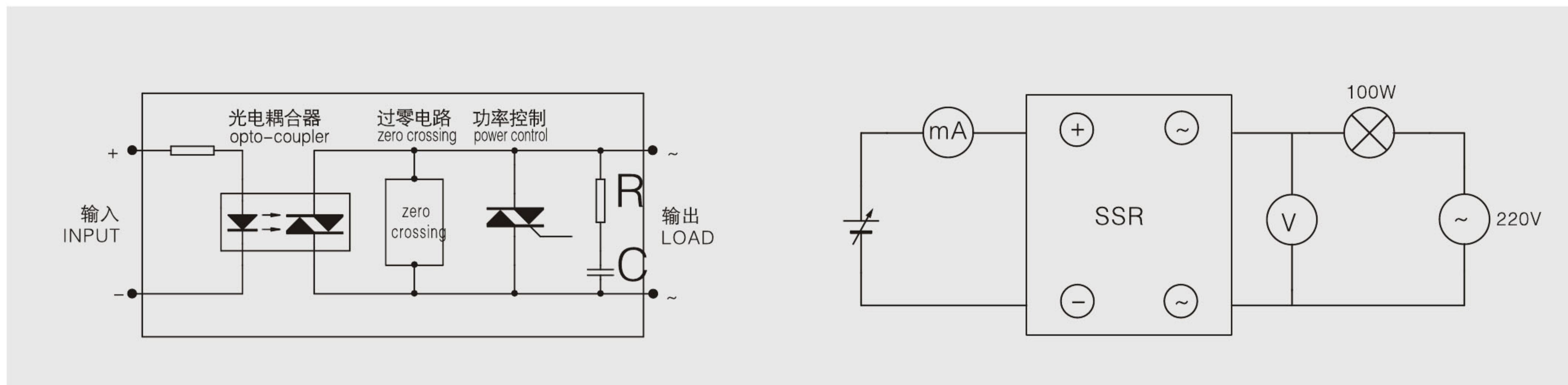
### □ 型号含义 Model & Meanings



### □ 主要应用领域 Main Application

- |   |   |
|---|---|
| <ul style="list-style-type: none"> <li>• 工业自动化装置</li> <li>• 计算机外围接口</li> <li>• 照明、舞台灯光控制</li> <li>• 电炉、加热、取暖控制</li> <li>• 路灯、信号灯、交通灯等</li> <li>• 交流电机控制</li> <li>• 中间继电器、电磁阀控制</li> <li>• 数控机械、遥控系统</li> <li>• 彩扩、冲印设备、注塑机械</li> <li>• 自动消防、保安系统</li> </ul> | <ul style="list-style-type: none"> <li>• Industrial automation installment</li> <li>• Computer periphery connection</li> <li>• Illumination, stage lighting control</li> <li>• Electric stove, heating, warm control</li> <li>• Street light, signal light, traffic light, etc</li> <li>• AC motor control</li> <li>• Intermediate relay, solenoid valve control</li> <li>• Numerical control machinery, external guidance system</li> <li>• Color photo enlargement, film processing equipment, injection machinery</li> <li>• Automatic fire control and security system</li> </ul> |
|---|---|

## □DA系列内部原理图及基本性能测试 Interior schematic diagram and basic property test



## □使用注意事项 Application attentions

- 控制电压和工作电压要求稳定，波动系数应该保证在10%之内，接线时应注意固态继电器的极性，以防接错而造成固态继电器永久性损坏。固态继电器应安装在远离热源散热条件好的地方，若环境温度过高，或者散热条件不好时，应加大工作电流余量，以保持固态继电器能均匀良好的散热。在安装固态继电器时，紧固件应扭紧，防止松动而增大接触电阻导致发热过大，底板与散热器之间也应均匀的涂上一层导热硅脂，保持固态继电器能均匀良好的散热。
- 应采用相应的过流与过压保护措施。过流保护可选用响应时间为 $10\mu\text{S}$ 的快速熔断器，熔断器的大小可选择用实际工作电流的1.2–1.5倍；过压保护可采用RC阻容吸收回路和压敏电阻，本系列固态继电器已全部内置RC阻容吸收回路，压敏电阻可按工作电压电流的大小来选择，220V电路电压可选用430–470V的压敏电阻，380V电路电压可选用750–820V的压敏电阻，压敏电阻的通流容量可根据电流的大小来选择。
- Control voltage and working voltage must be stable, the coefficient of fluctuation should guarantee in 10%, when wiring should pay attention to the solid state relay's polarity to avoid wrong connection causing solid state relay permanence Damage. SSR should be mounted away from origin of heat and good radiating conditions. In the case that the ambient temperatures is too high or bad radiating condition, it should increase the current margin to ensure SSR good working. In the case that the ambient temperatures is too high or bad radiating condition, it should increase the current margin to ensure SSR good working. SSR can be even and good radiating. When mounting SSR, fastener must be tightened to prevent increasing resistance caused by screw loosening. Even spreads heat conduction silicon, maintains the solid state relay can be even good radiation.
- Should use the corresponding overflow and the overvoltage protection measure. Overflow protection may select the fast fuse that response time is  $10\mu\text{S}$ . Fuse size choose the practical work current 1.2–1.5 times. Overvoltage protection may use RC resistance–capacitance absorbing circuit and varistor. This series SSR has built in RC resistance–capacitance. Varistor choosing may according to the working voltage and current. 220V voltage select the varistor of 430–470V, 380V voltage select the varistor of 750–820V, the varistor discharge current capacity choose according to the current size.

## □固态继电器的散热及散热器的选择 Solid state relay's radiating and heat sink choice

- 由于固态继电器内开关器件本身内阻的作用，在其导通时都会产生一定热量。因此要保证固态继电器正常工作必须要有良好的散热条件如：自然冷却、散热冷却、散热器加风冷却等。5A以下可采用自然冷却，10A以上需加散热器冷却，40A以上则要加风扇强冷。
- 散热器的效果不但跟散热器的大小有关，还跟环境温度（季节）、通风条件及安装紧密度都有关系。散热效果参考标准：使固态继电器的底板温度不超过 $75^\circ\text{C}$ 为准，实际应用过程中可在靠近固态继电器底板的散热器上安装一只 $70^\circ\text{C}$ 的温度开关（常闭型）串联在控制回路里，当散热器温度超过阈值时就会断开控制回路，从而保护固态继电器及设备，尤其是在实际电流大、安装密度大、环境温度高的情况下。除此之外还要考虑固态继电器本身是否与选用的散热器匹配，以及散热器在机柜中的安装空间，确保即使在最恶劣的情况下固态继电器底板的温度不超过 $75^\circ\text{C}$ 。
- 本公司有一系列的散热器规格可供选择，但每一型号的固态继电器不是一定要配唯一规格的散热器，两者并没有完全一致的对应关系，固态继电器的发热量只跟负载的实际电流有关，而与本身的电流等级不完全一致。（发热量计算公式：发热量=实际负载电流 $\times$ 1.5瓦/安）
- Because the inside switch components have interface resistance function, solid state relay can have certain heat in its breakover time. Therefore guarantee solid state relay normal work must have the good radiation condition. For example: Natural cooling, radiation cool, the radiator to add wind cooling and so on. Below 5A may use the natural cooling, above 10A must add the radiator to cool, above 40A needs to add the ventilator strongly cold.
- Not only radiator's effect related with the size, but also with the ambient temperature, the well ventilated condition and installment tightness has the relations. Radiation effect reference standard: make the solid state relay's bottom board's temperature not to surpass  $75^\circ\text{C}$ , it may install a  $70^\circ\text{C}$ , (NC model) to connect in the control loop, when the radiator temperature surpasses the valve value will separate the control loop, thus protection solid state relay and equipment, particularly in the actual large current, big mounting density and high ambient temperature situation. In addition, need to consider whether solid state relay itself match with the radiator, as well as radiator's installment space in cabinet, guaranteed that the solid state relay's board temperature does not surpass  $75^\circ\text{C}$ , in the worst situation.
- Our company has many series radiator specification for choice, but each model SSR is not to certainly match the only model radiator, they both have not completely corresponding relationships. Solid state relay's Calorific capacity only related with the actual load current, not completely consistent with current rank. (Calorific capacity formula: Calorific capacity = actual load current  $\times$  1.5 tile/amp)

### □特点 Features

- 电路板焊接-单列直插式 小型交流固态继电器
- 双向可控硅常开输出
- DC-AC 直流信号控制交流负载
- 光电器件隔离
- 过零/随机触发形式
- SMD贴装工艺
- PCB soldering-Single Side Lead Insert Type Mini AC Solid State Relay
- Triac NO output
- DC-AC DC signal control AC load
- Optoelectronic devices Isolation
- Zero crossing / Random Trigger Form
- SMD mount technology

注: 可定做DC-DC型 / Customize produce DC-DC type

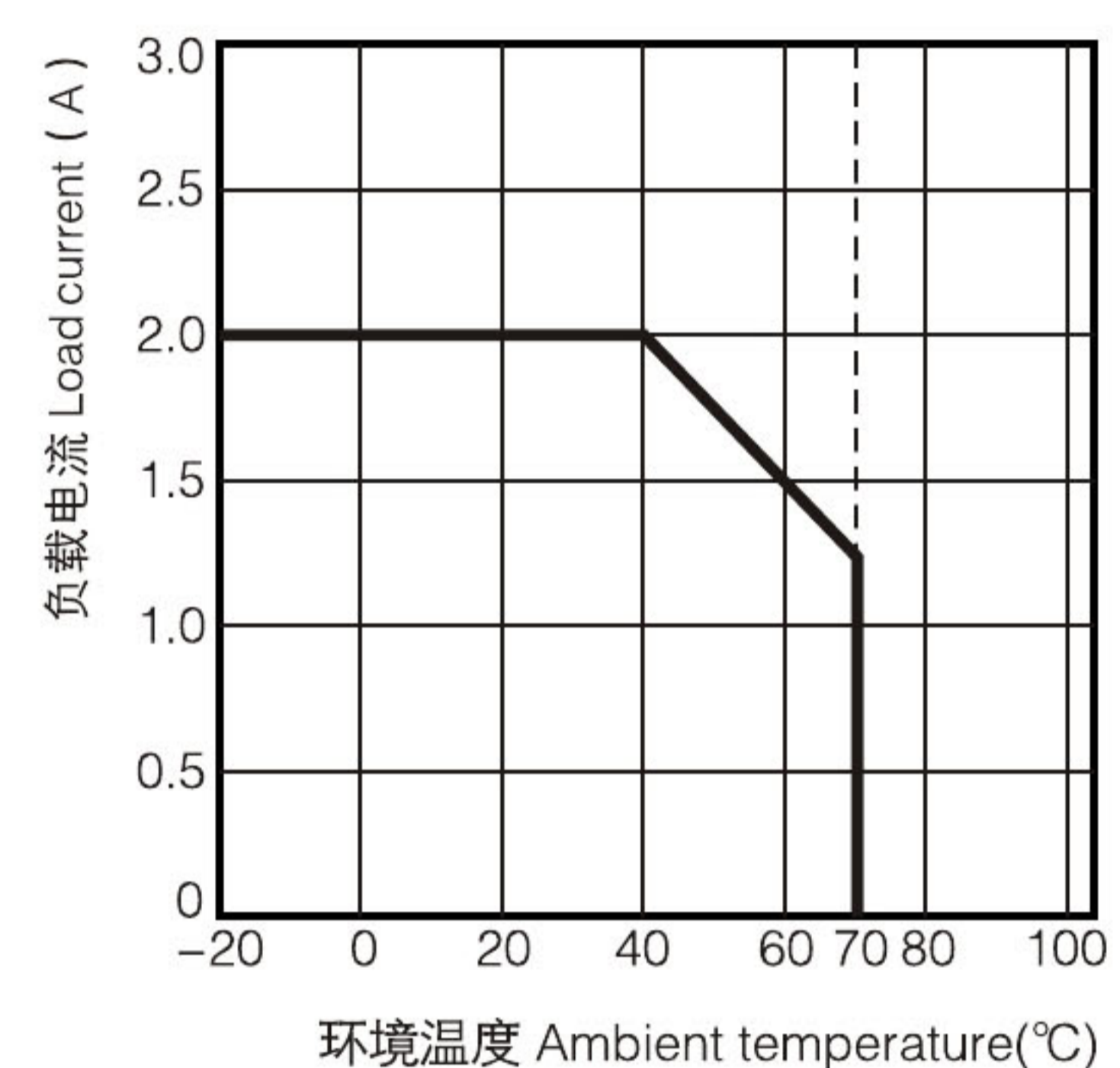


### □技术参数 Technical Specification

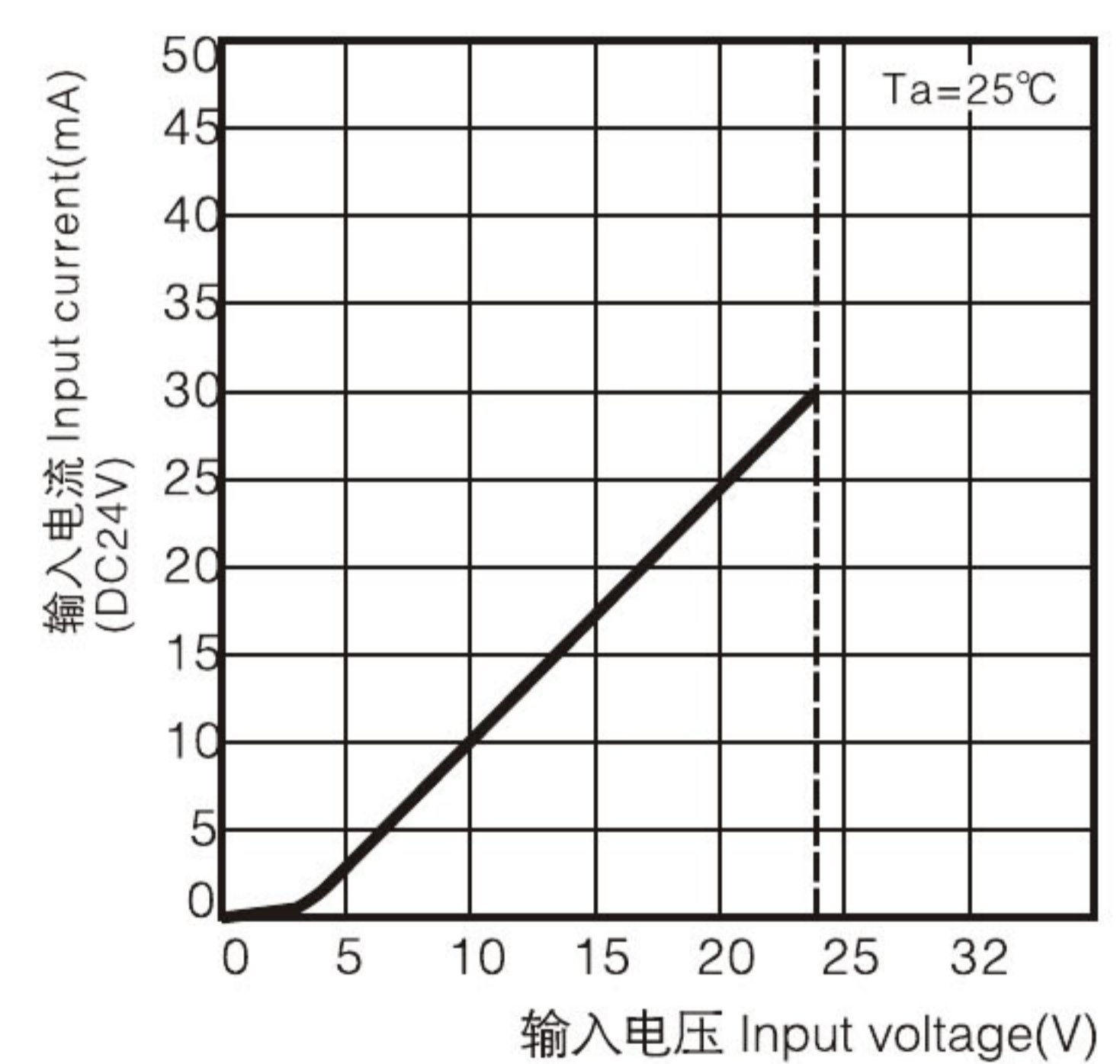
产品型号	Product model	XSSR-2402P1
控制电压	Control voltage	5V 12V 24V DC
控制电流	Control current	6-30mA
负载电压	Load voltage	24-240VAC
负载最大电流	Load max current	2A
负载最小电流	Load mini current	0.03A
通态压降	Breakover voltage	≤1.5VAC
输出漏电流	Output leakage current	≤1mA
介质耐压	Medium withstand voltage	≥2500VAC
绝缘电阻	Insulating resistance	≥100MΩ
开关时间	Switching time	≤10mS
频率范围	Frequency range	50-60Hz
工作温度	Operating temperature	-20-70°C
负载电流安全系数	load current safety factor	阻性负载取(resistive load)50-60% 感性负载取(inductive load)30-40%

### □特性曲线 Characteristic curve

负载电流-环境温度  
Load current- Ambient temperature



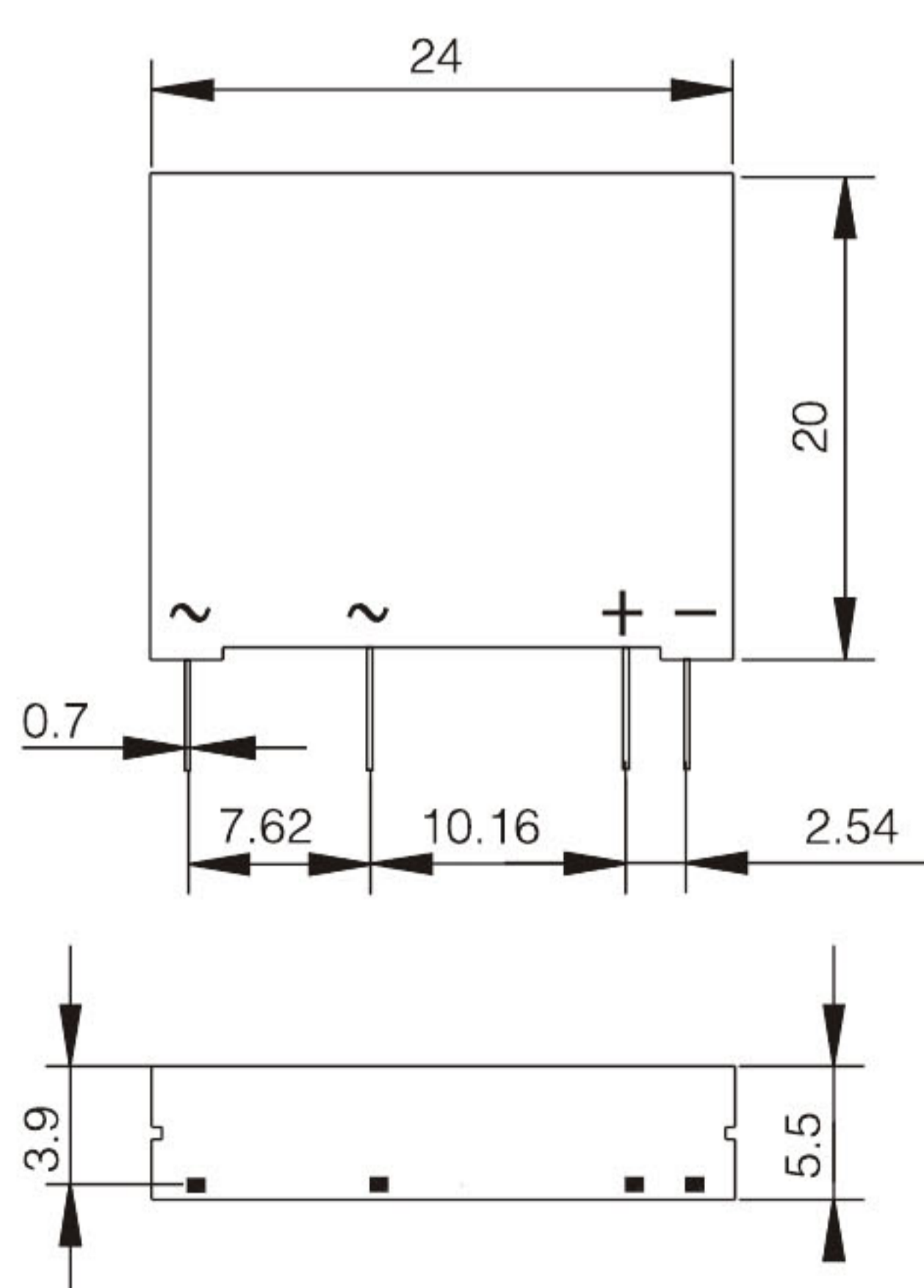
输入电压-输入电流  
Input voltage-Input current



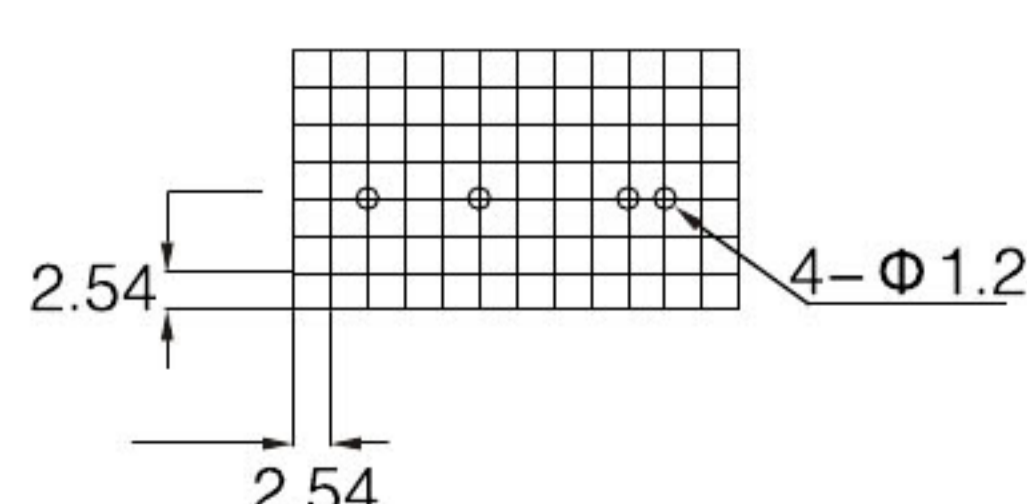
### □外形尺寸及接线图

#### Outshape dimensions & Connection Diagram

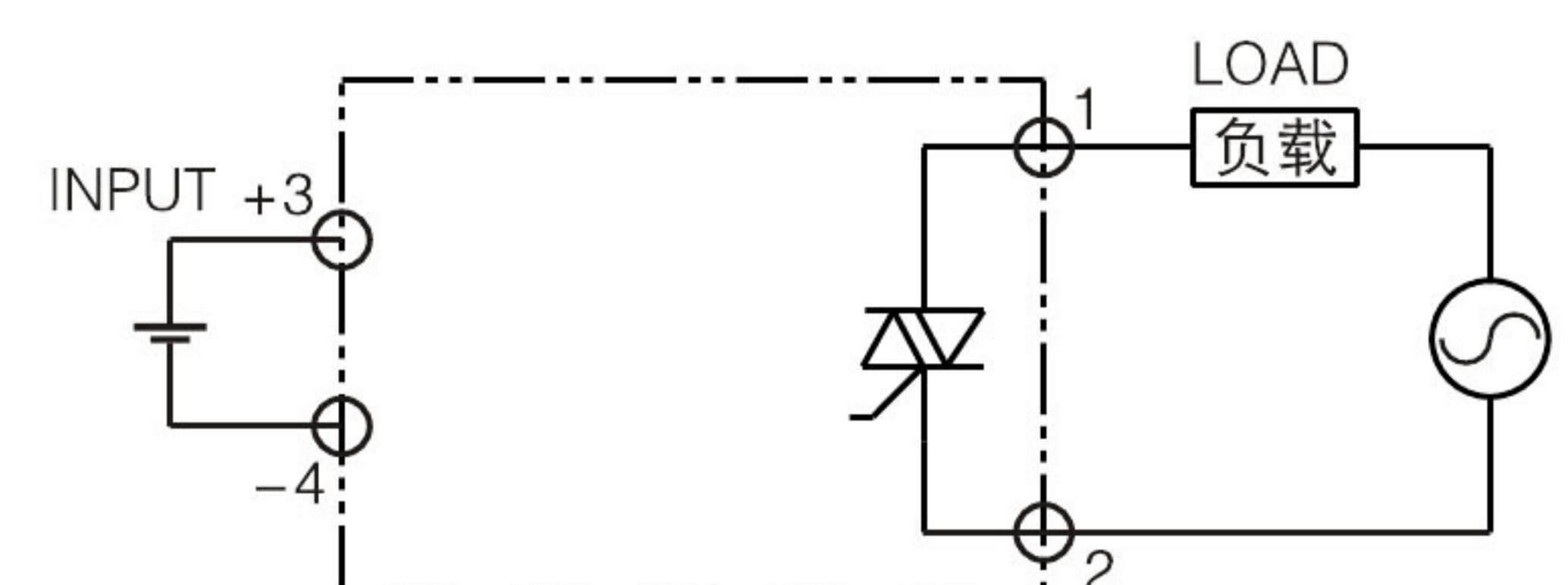
- 外形及安装尺寸图(单位: mm)  
Dimensions diagram of the Outshape and mount



- PCB板尺寸  
Size of PCB Board  
(Bottom view)



- 端子接线图 Connection Diagram



### 特点 Features

- 电路板焊接-单列直插式 小型交流固态继电器
- 双向可控硅常开输出
- DC-AC 直流信号控制交流负载
- 光电器件隔离
- 过零/随机触发形式
- SMD贴装工艺
- PCB soldering-Single Side Lead Insert Type Mini AC Solid State Relay
- Triac NO output
- DC-AC DC signal control AC load
- Optoelectronic devices Isolation
- Zero crossing / Random Trigger Form
- SMD mount technology

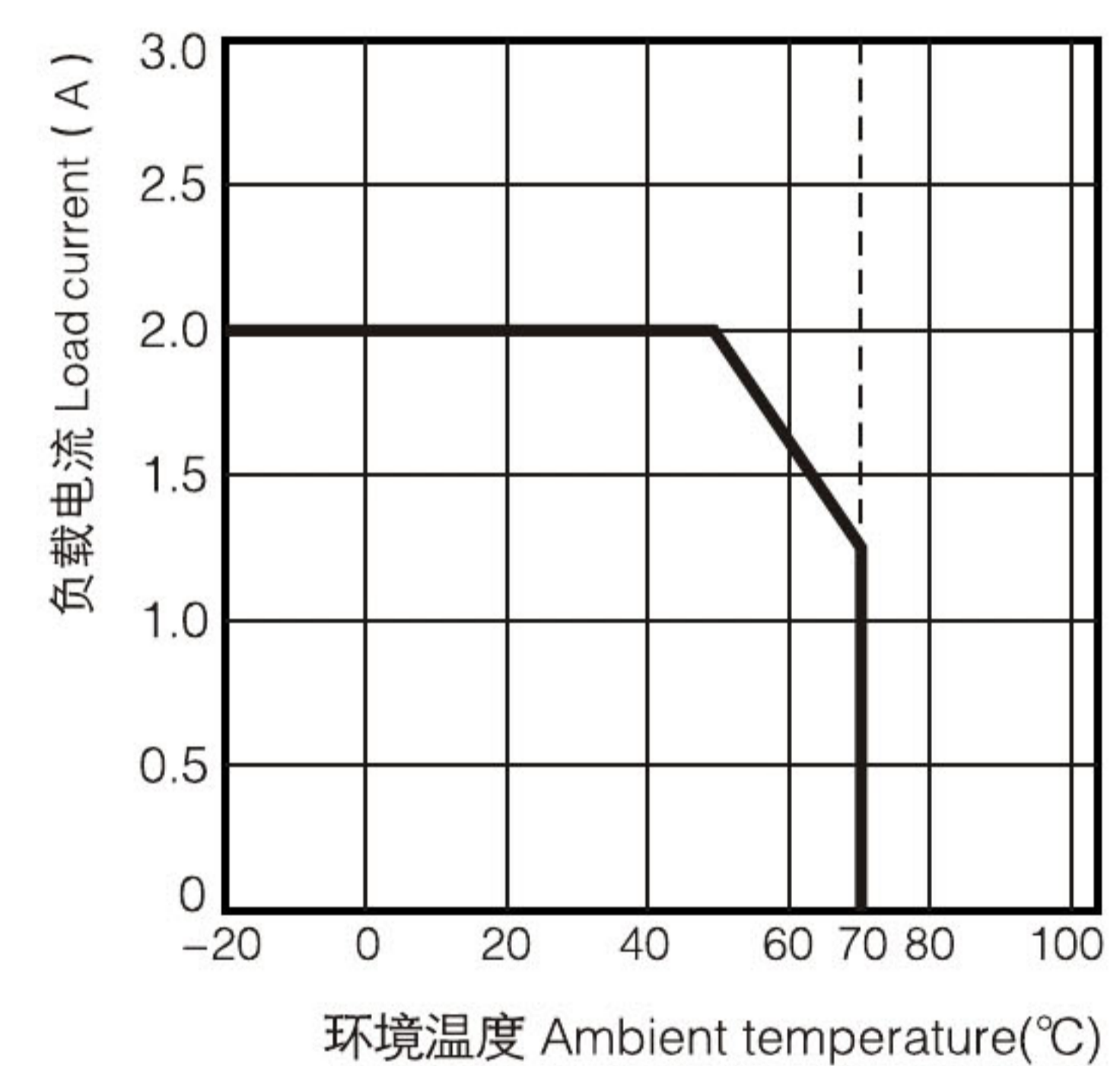


### 技术参数 Technical Specification

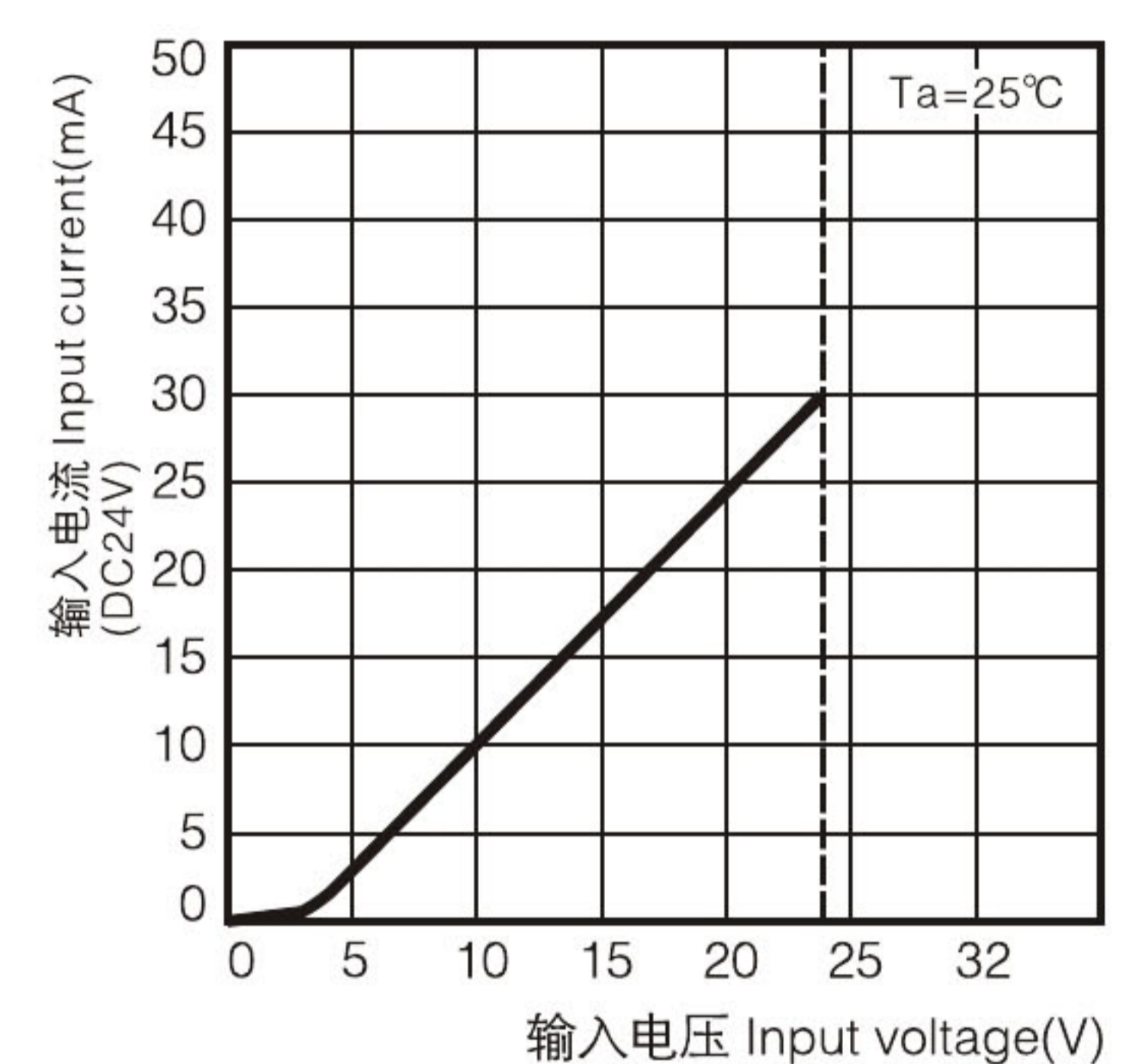
产品型号	Product model	XSSR-24□P2
控制电压	Control voltage	5V 12V 24V DC
控制电流	Control current	6-30mA
负载电压	Load voltage	24-240VAC
负载最大电流	Load max current	2A-3A
负载最小电流	Load mini current	0.03A
通态压降	Breakover voltage	≤1.5VAC
输出漏电流	Output leakage current	≤1mA
介质耐压	Medium withstand voltage	≥2500VAC
绝缘电阻	Insulating resistance	≥100MΩ
开关时间	Switching time	≤10mS
频率范围	Frequency range	50-60Hz
工作温度	Operating temperature	-20-70°C
负载电流安全系数 load current safety factor		阻性负载取(resistive load)50-60%
		感性负载取(inductive load)30-40%

### 特性曲线 Characteristic curve

负载电流-环境温度  
Load current-Ambient temperature



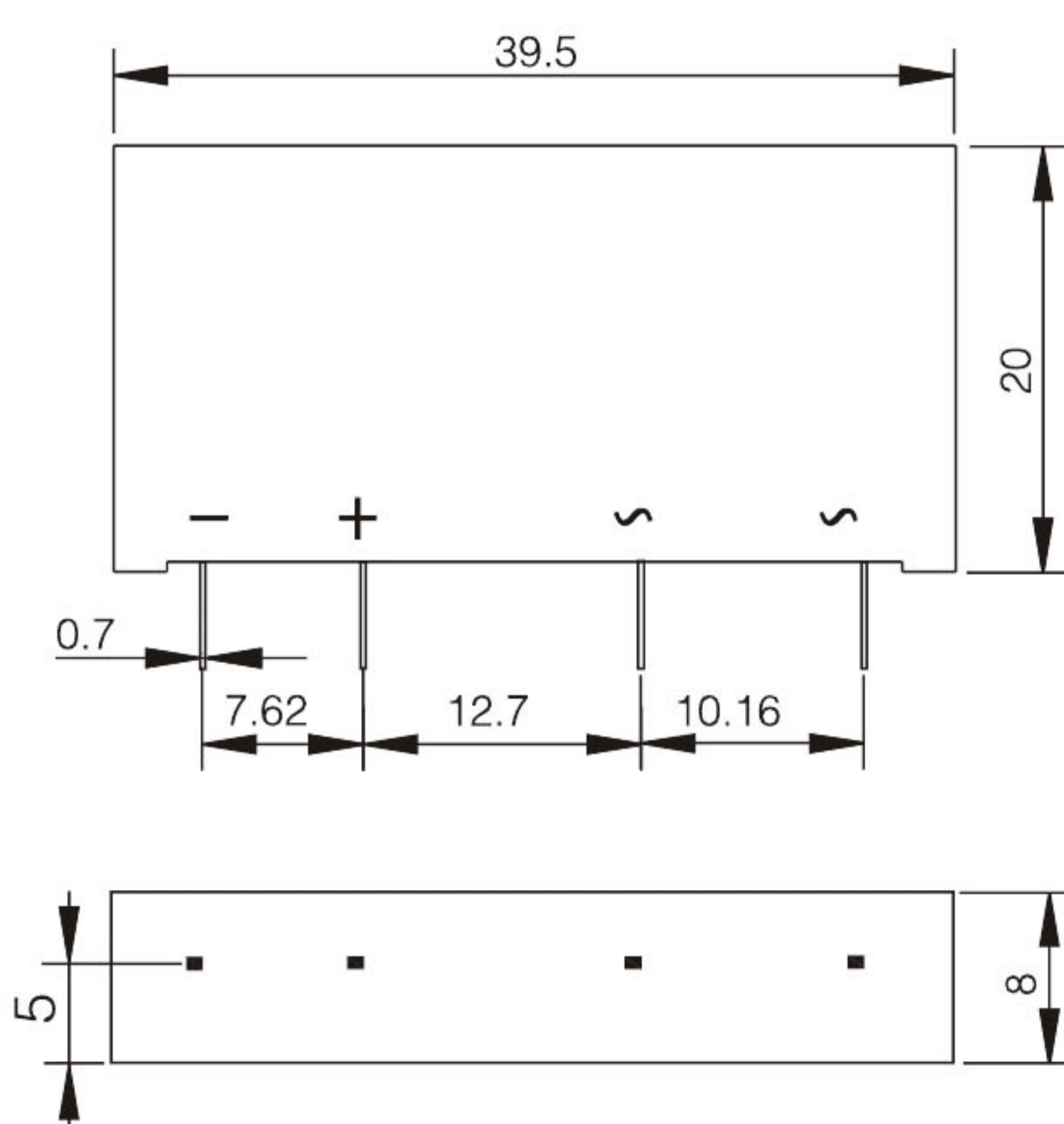
输入电压-输入电流  
Input voltage-Input current



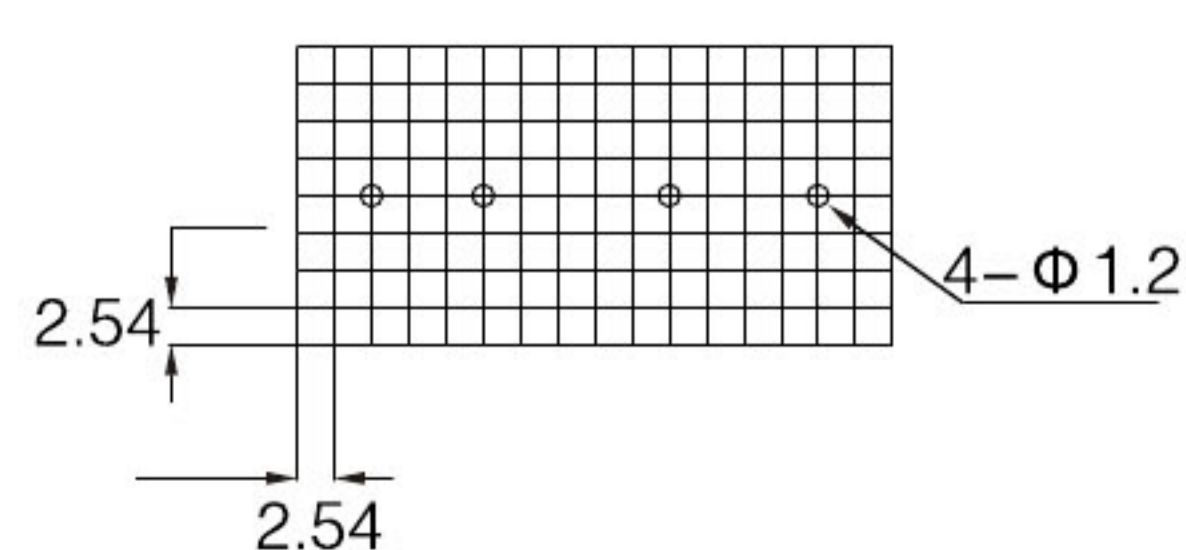
### 外形尺寸及接线图

#### Outshape dimensions & Connection Diagram

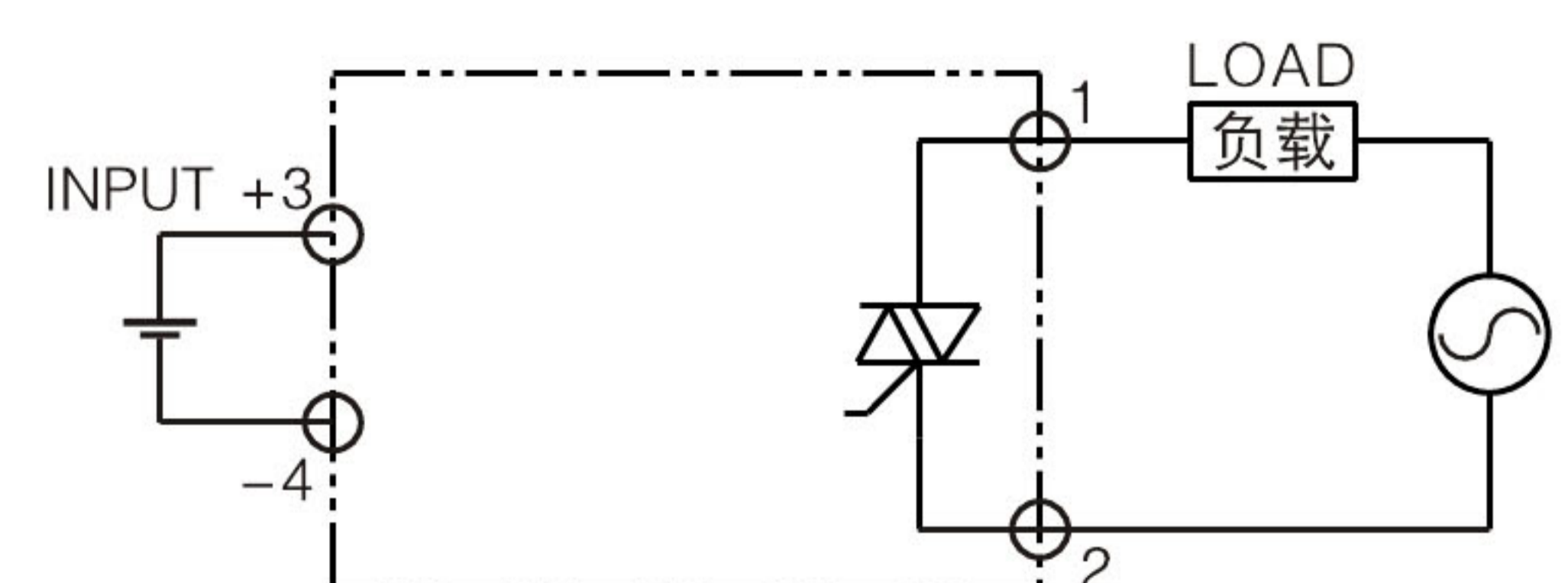
- 外形及安装尺寸图(单位: mm)  
Dimensions diagram of the Outshape and mount



- PCB板尺寸  
Size of PCB Board  
(Bottom view)



- 端子接线图 Connection Diagram



## □特点 Features

- 电路板焊接-单列直插式 小型交流固态继电器
- 双向可控硅常开输出
- DC-AC 直流信号控制交流负载
- 光电器件隔离
- 过零/随机触发形式
- SMD贴装工艺
- 内置RC吸收回路
- LED指示工作状态
- PCB soldering-Single Side Lead Insert Type Mini AC Solid State Relay
- Triac NO output
- DC-AC DC signal control AC load
- Optoelectronic devices Isolation
- Zero crossing / Random Trigger Form
- SMD mount technology
- Built-in RC absorbing circuit
- LED Status Indicator



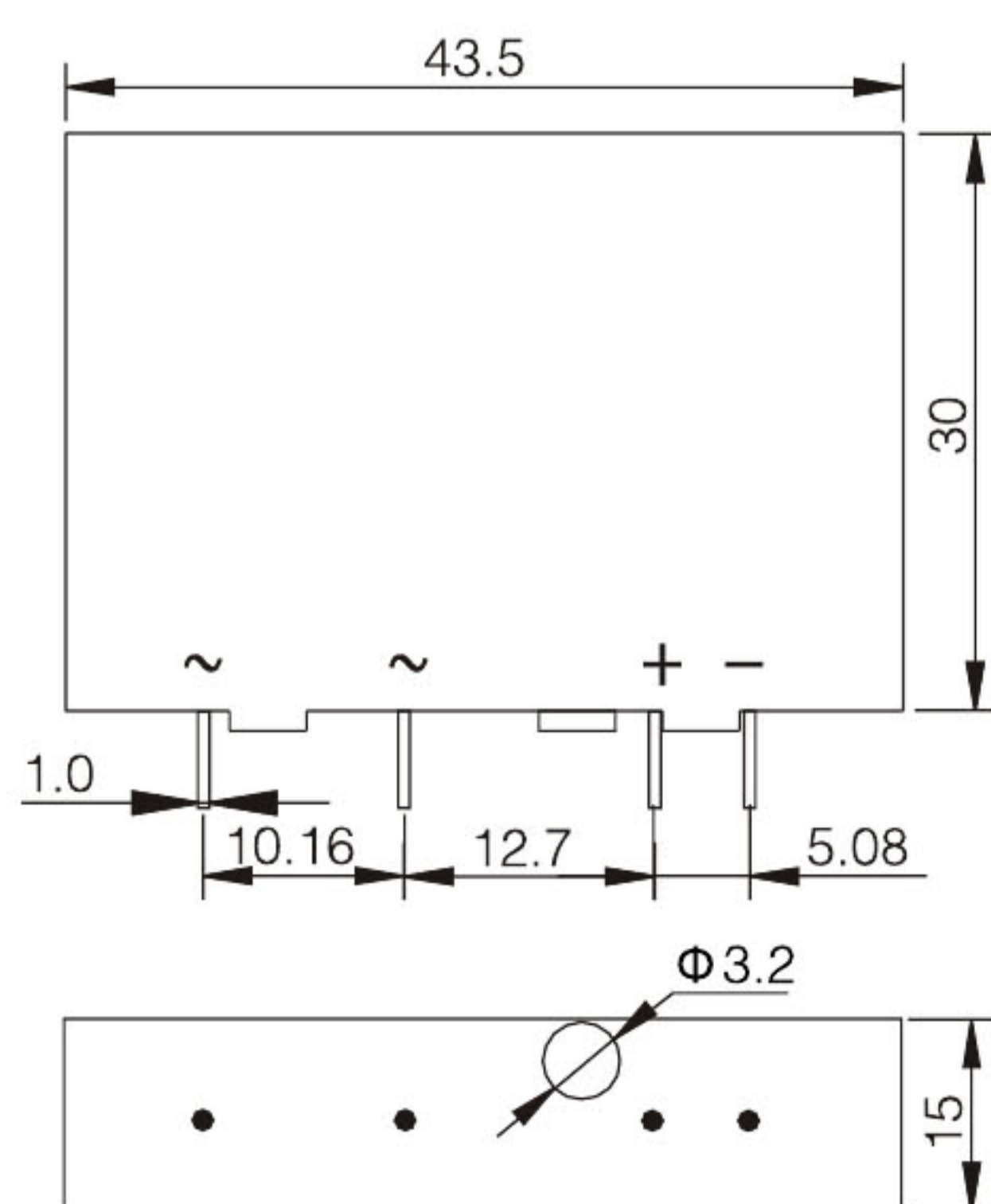
## □技术参数 Technical Specification

产品型号	Product model	XSSR-DA38□P3
控制电压	Control voltage	3-32VDC
控制电流	Control current	6-25mA
反向电压	Reverse voltage	32VDC
保证关闭电压	Guarantee close voltage	1VDC
保证开通电压	Guarantee open voltage	3VDC
负载电压	Load voltage	24-380VAC
负载最大电流	Load max current	3A-5A
负载最小电流	Load mini current	0.05A
通态压降	Breakover voltage	≤ 1.5VAC
输出漏电流	Output leakage current	≤ 3mA
介质耐压	Medium withstand voltage	≥ 2500VAC
绝缘电阻	Insulating resistance	≥ 100MΩ
开关时间	Switching time	≤ 10mS
频率范围	Frequency range	50-60Hz
工作温度	Operating temperature	-20-70°C
负载电流安全系数 load current safety factor		阻性负载取(resistive load)50-60% 感性负载取(inductive load)30-40%

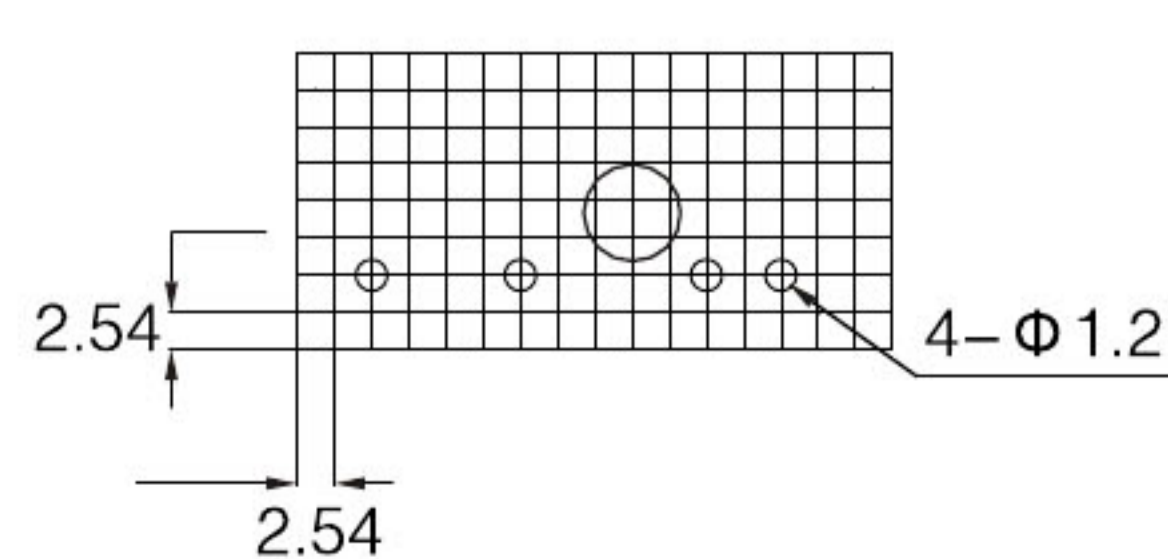
## □外形尺寸及接线图

### Outshape dimensions & Connection Diagram

- 外形及安装尺寸图(单位: mm)  
Dimensions diagram of the Outshape and mount

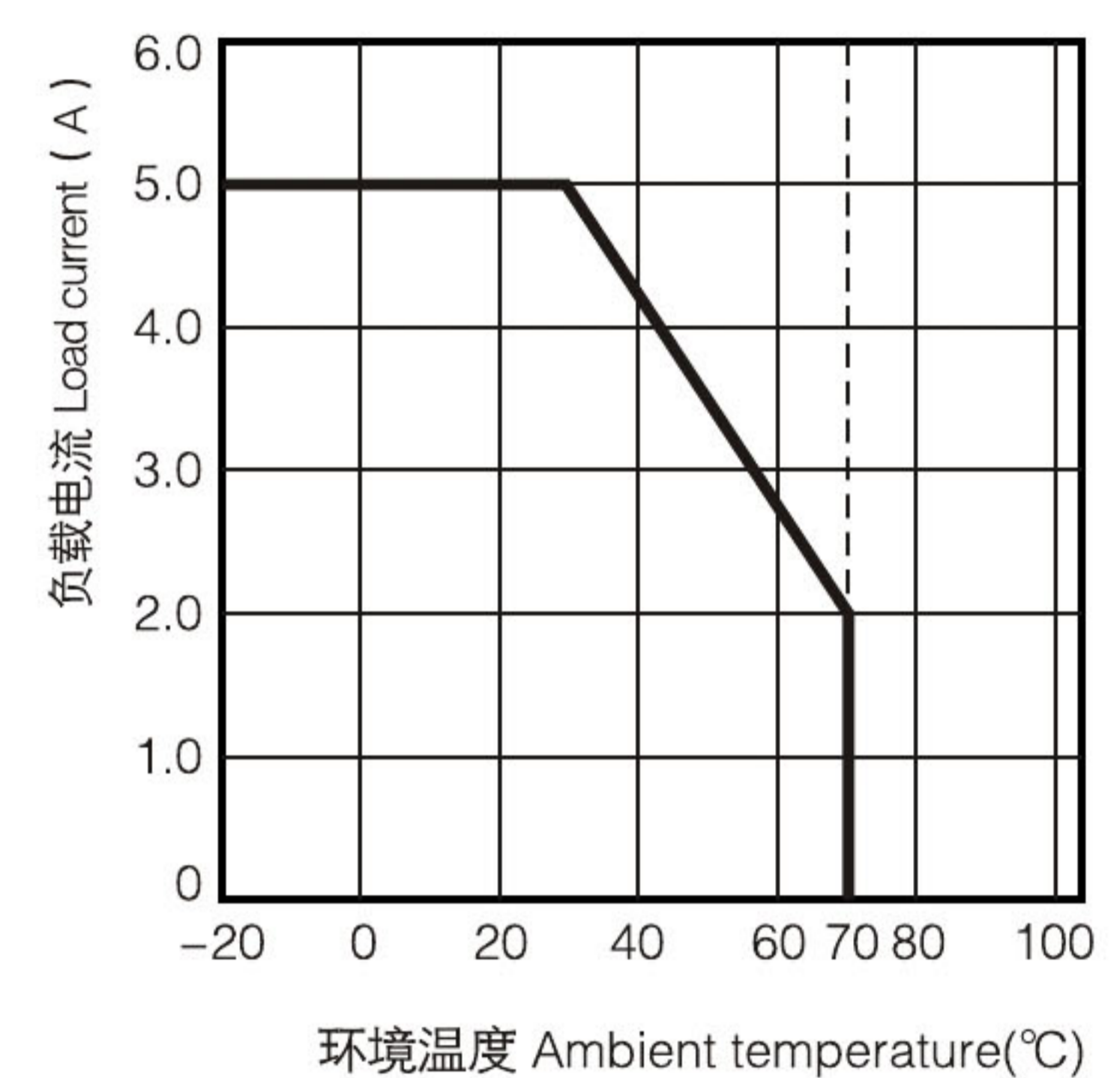


- PCB板尺寸  
Size of PCB Board  
(Bottom view)

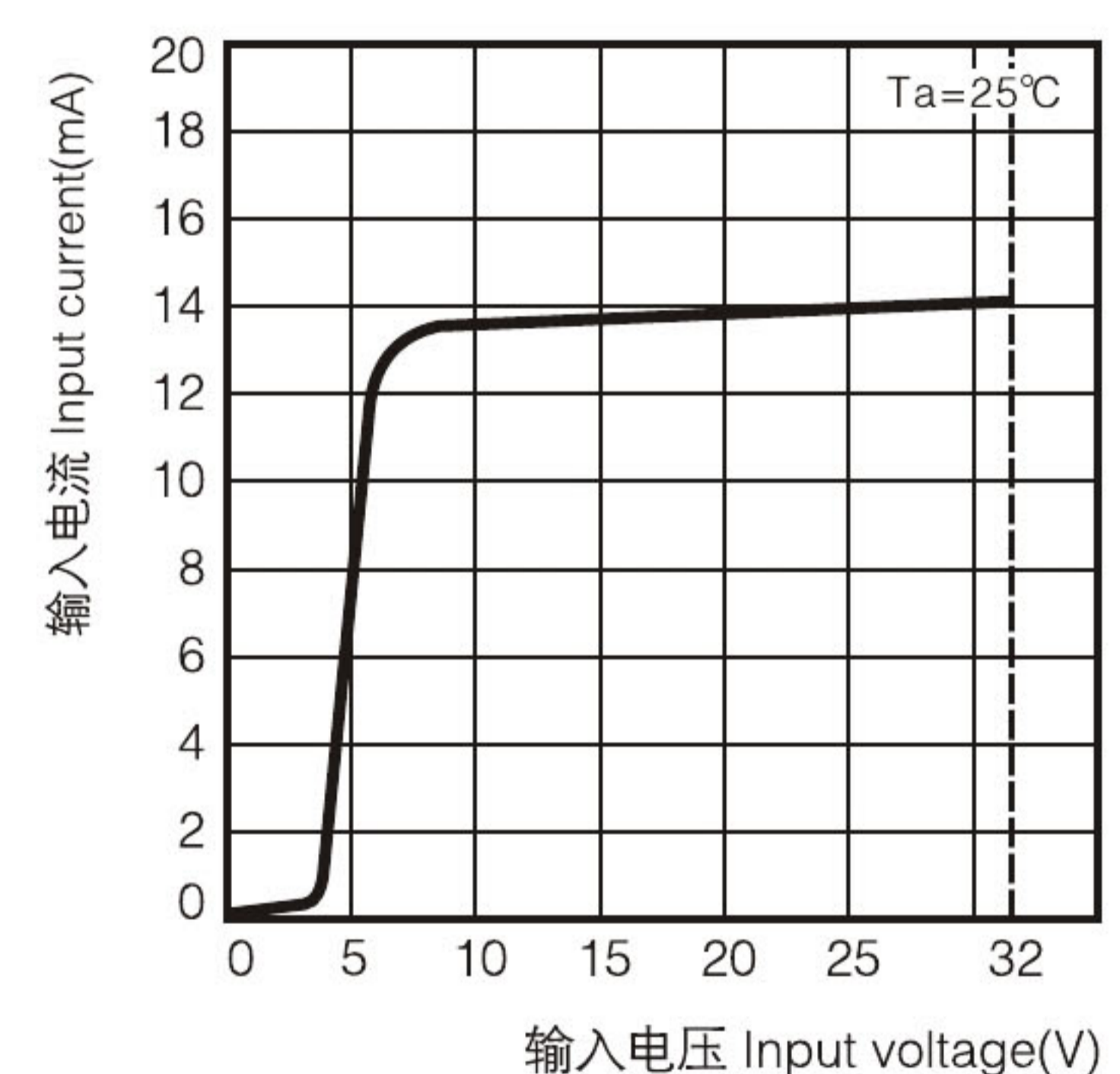


## □特性曲线 Characteristic curve

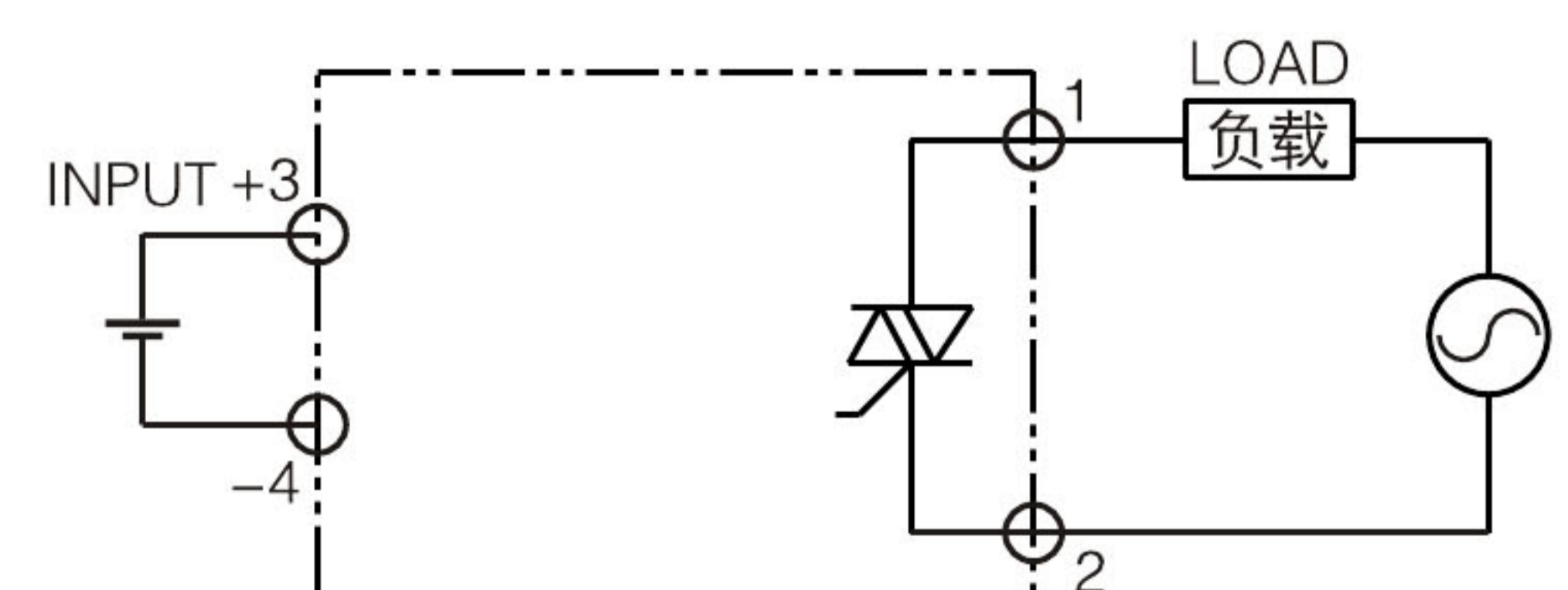
负载电流-环境温度  
Load current- Ambient temperature



输入电压-输入电流  
Input voltage-Input current

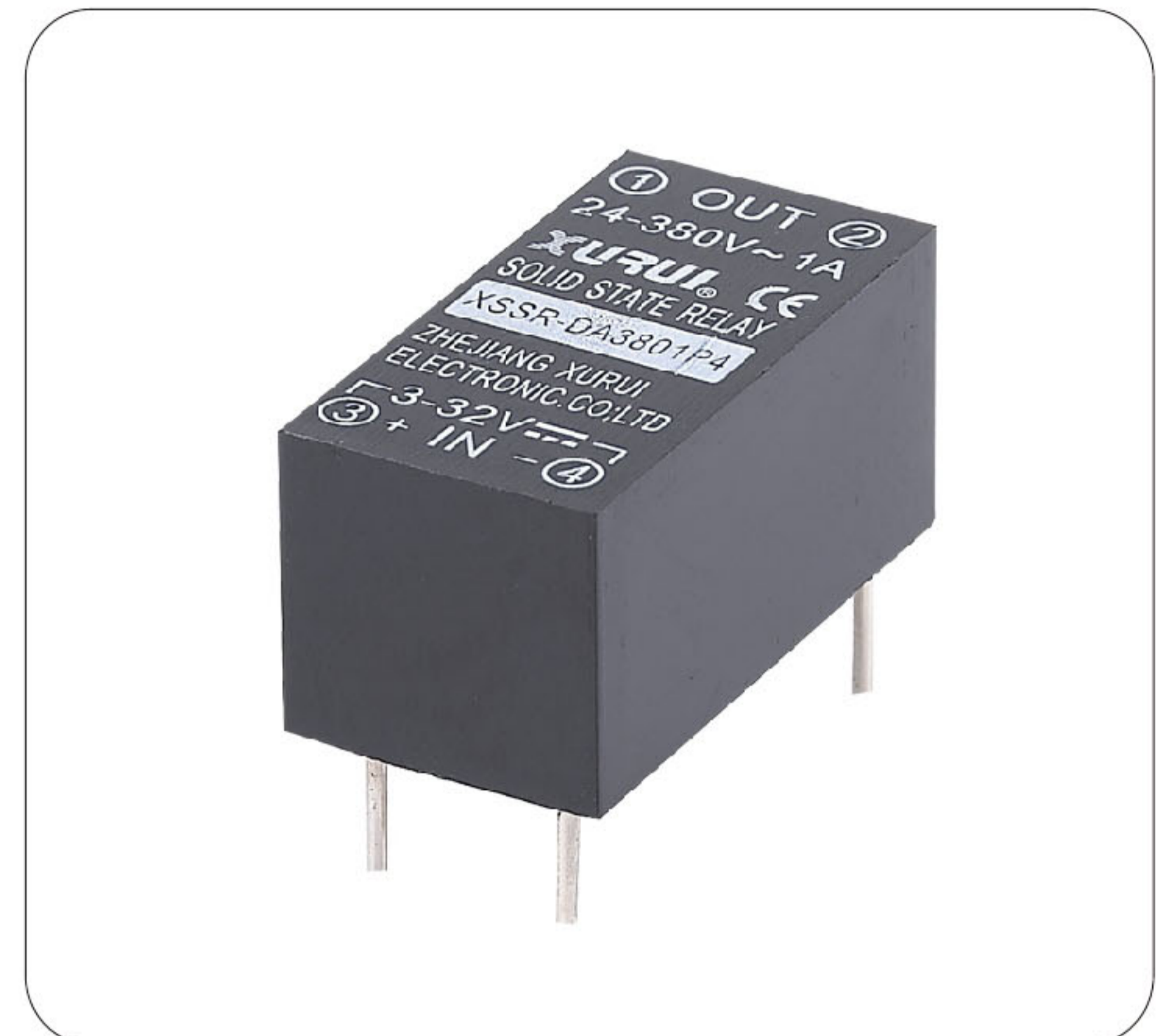


- 端子接线图 Connection Diagram



## 特点 Features

- 电路板焊接-双列直插式 小型交流固态继电器
- 双向可控硅常开输出
- DC-AC 直流信号控制交流负载
- 光电器件隔离
- 过零/随机触发形式
- SMD贴装工艺
- PCB soldering-Dual Side Lead Insert Type Mini AC Solid State Relay
- Triac NO output
- DC-AC DC signal control AC load
- Optoelectronic devices Isolation
- Zero crossing / Random Trigger Form
- SMD mount technology



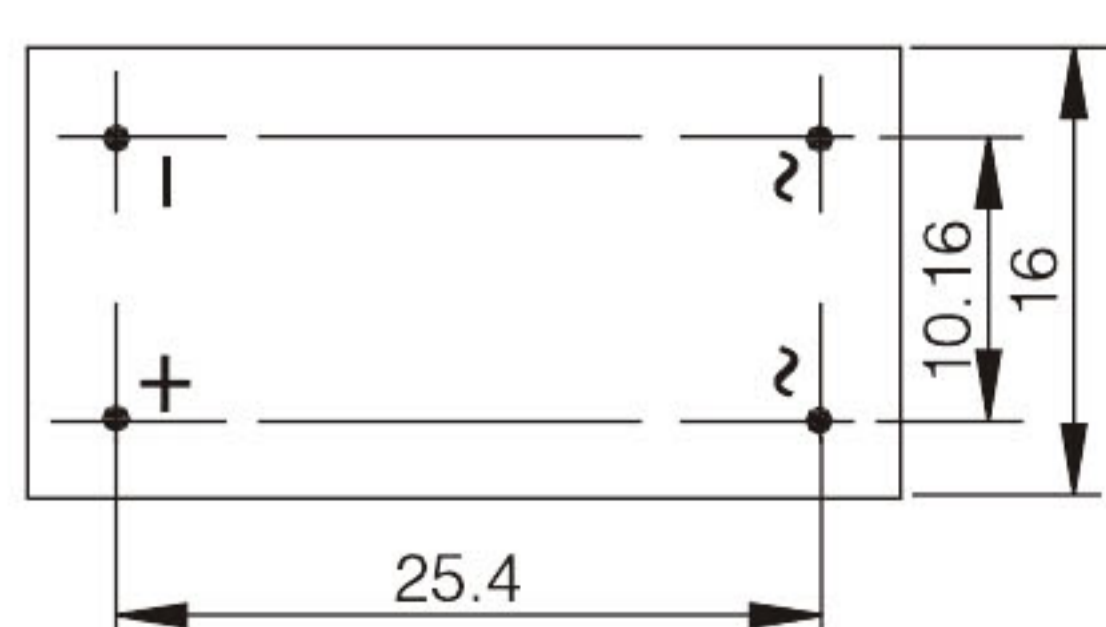
## 技术参数 Technical Specification

产品型号	Product model	XSSR-DA3801P4
控制电压	Control voltage	3-32VDC
控制电流	Control current	6-25mA
反向电压	Reverse voltage	32VDC
保证关闭电压	Guarantee close voltage	1VDC
保证开通电压	Guarantee open voltage	3VDC
负载电压	Load voltage	24-380VAC
负载最大电流	Load max current	1A
负载最小电流	Load mini current	0.02A
通态压降	Breakover voltage	≤ 1.5VAC
输出漏电流	Output leakage current	≤ 1mA
介质耐压	Medium withstand voltage	≥ 2500VAC
绝缘电阻	Insulating resistance	≥ 100MΩ
开关时间	Switching time	≤ 10mS
频率范围	Frequency range	50-60Hz
工作温度	Operating temperature	-20-70°C
负载电流安全系数	load current safety factor	阻性负载取(resistive load)50-60% 感性负载取(inductive load)30-40%

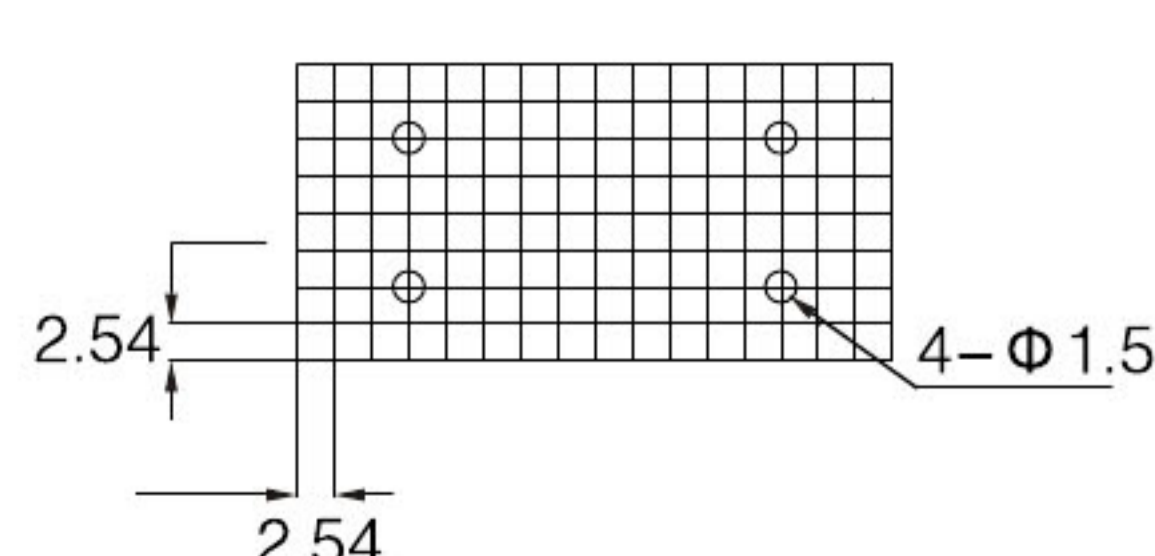
## 外形尺寸及接线图

### Outshape dimensions & Connection Diagram

- 外形及安装尺寸图(单位: mm)  
Dimensions diagram of the Outshape and mount

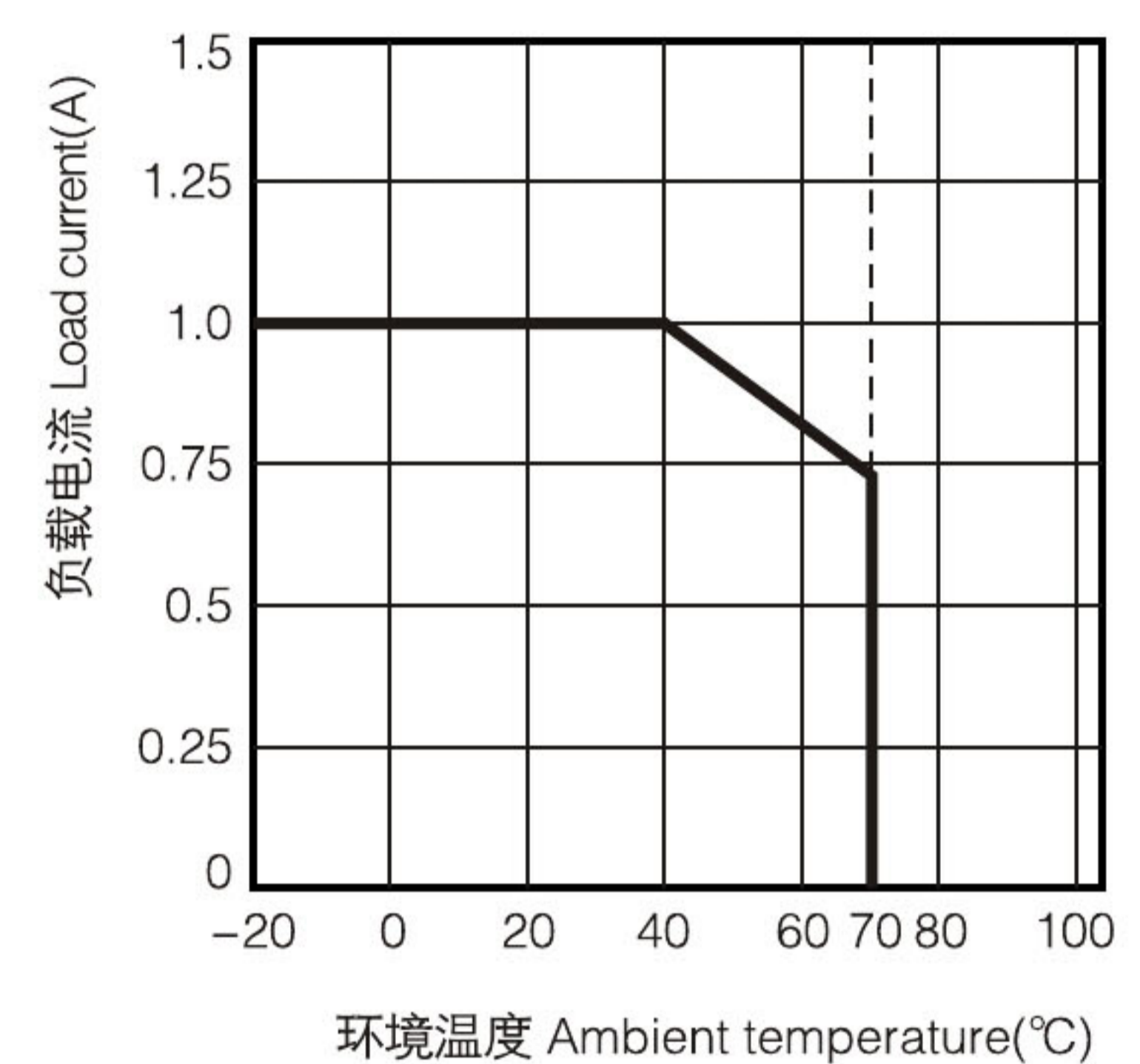


- PCB板尺寸  
Size of PCB Board  
(Bottom view)

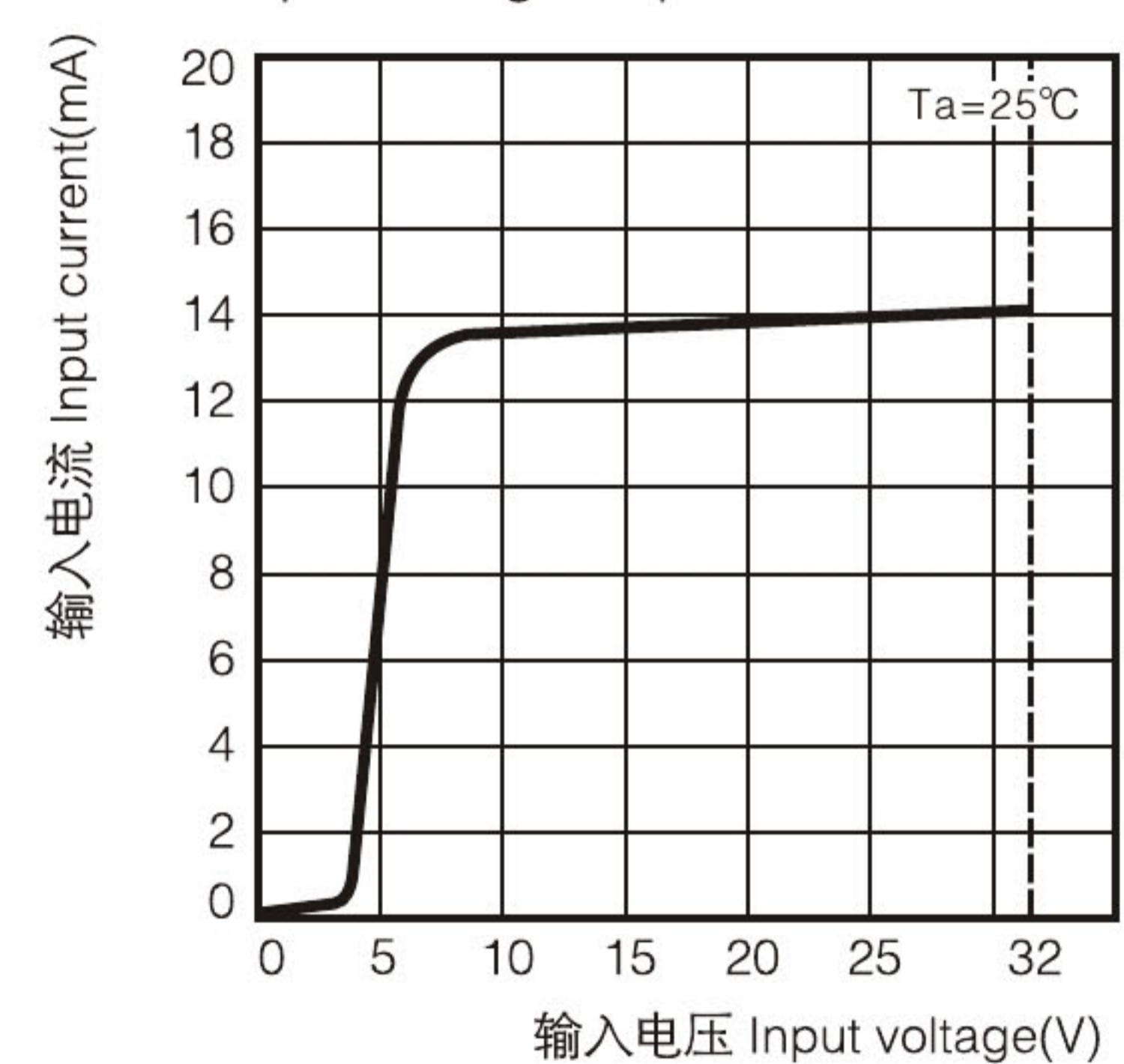


## 特性曲线 Characteristic curve

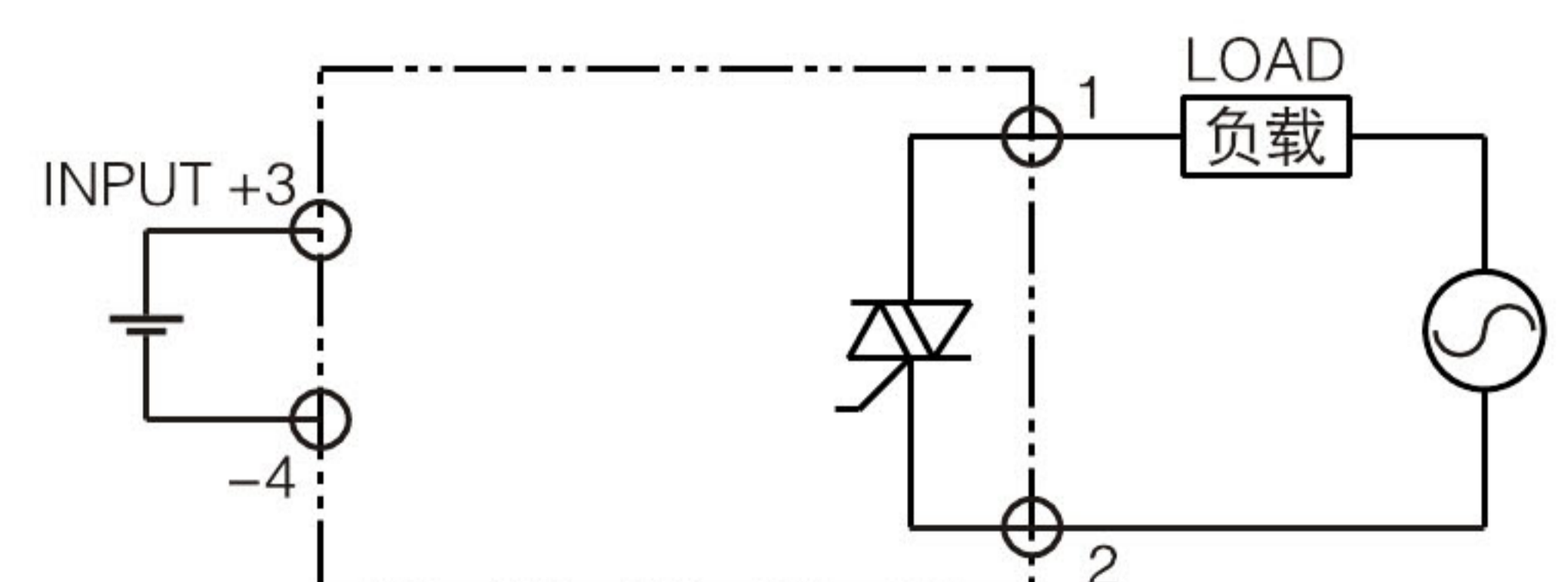
负载电流-环境温度  
Load current- Ambient temperature



输入电压-输入电流  
Input voltage-Input current



- 端子接线图 Connection Diagram



### □特点 Features

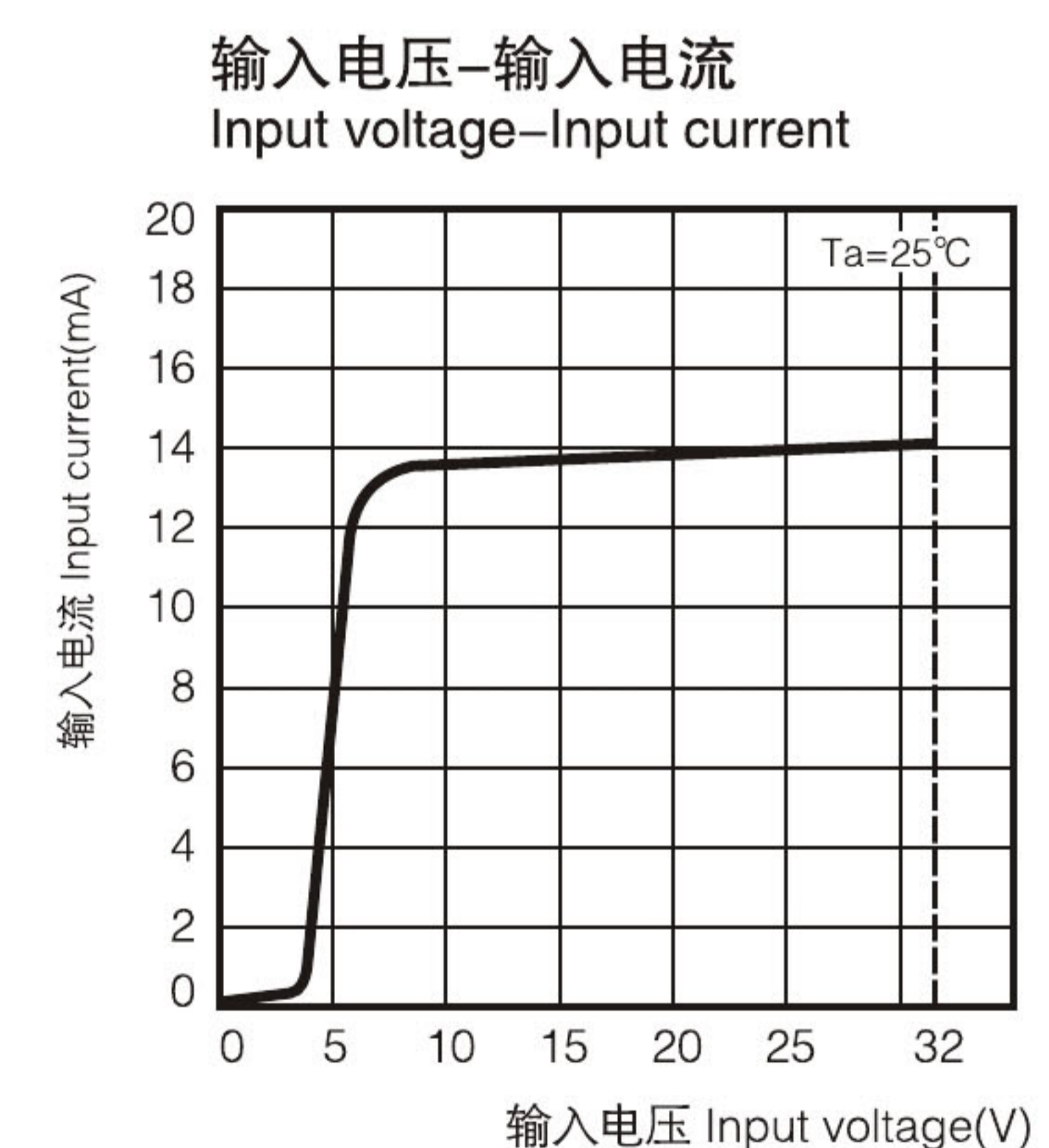
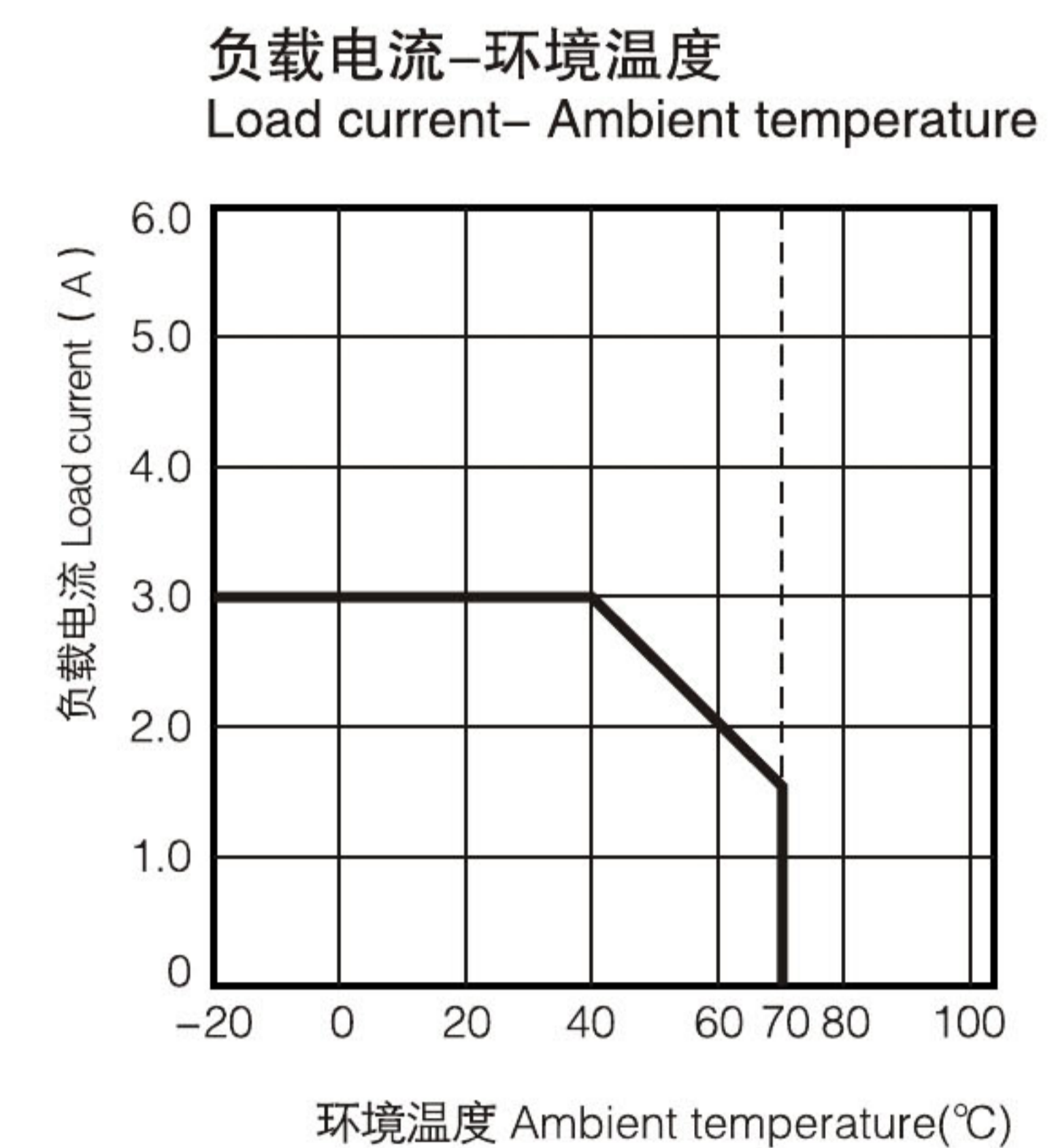
- 电路板焊接-铜外壳 双列直插式 小型交流固态继电器
- 双向可控硅常开输出
- DC-AC 直流信号控制交流负载
- 光电器件隔离
- 过零/随机触发形式
- SMD贴装工艺
- 内置RC吸收回路
- PCB soldering-Copper housing Dual Side Lead Insert Type Mini AC Solid State Relay
- Triac NO output
- DC-AC DC signal control AC load
- Optoelectronic devices Isolation
- Zero crossing / Random Trigger Form
- SMD mount technology
- Built-in RC absorbing circuit



### □技术参数 Technical Specification

产品型号	Product model	XSSR-DA38□P5
控制电压	Control voltage	3-32VDC
控制电流	Control current	6-25mA
反向电压	Reverse voltage	32VDC
保证关闭电压	Guarantee close voltage	1VDC
保证开通电压	Guarantee open voltage	3VDC
负载电压	Load voltage	24-380VAC
负载最大电流	Load max current	2A-3A
负载最小电流	Load mini current	0.03A
通态压降	Breakover voltage	≤1.5VAC
输出漏电流	Output leakage current	≤3mA
介质耐压	Medium withstand voltage	≥2500VAC
绝缘电阻	Insulating resistance	≥100MΩ
开关时间	Switching time	≤10mS
频率范围	Frequency range	50-60Hz
工作温度	Operating temperature	-20-70°C
负载电流安全系数 load current safety factor		阻性负载取(resistive load)50-60% 感性负载取(inductive load)30-40%

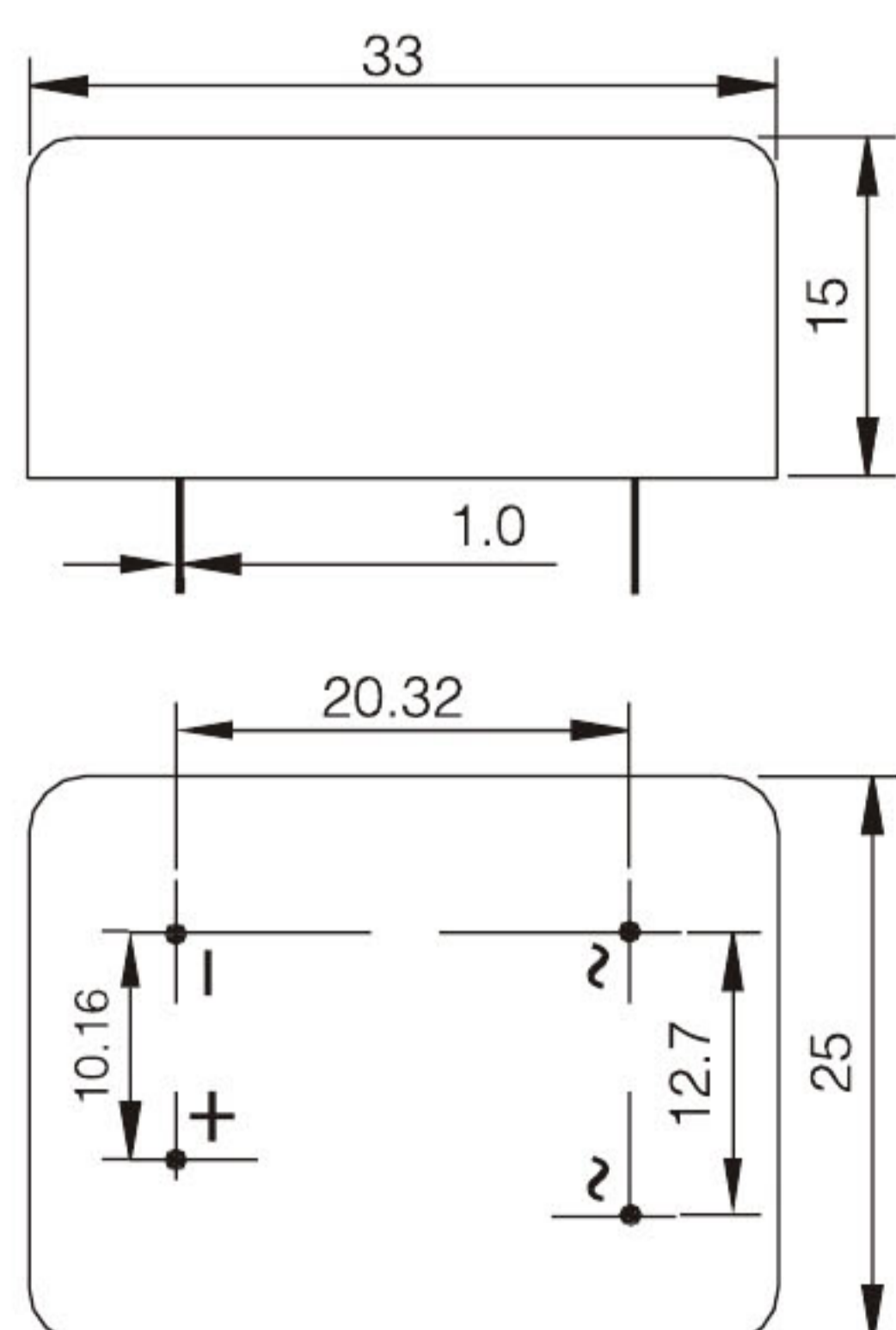
### □特性曲线 Characteristic curve



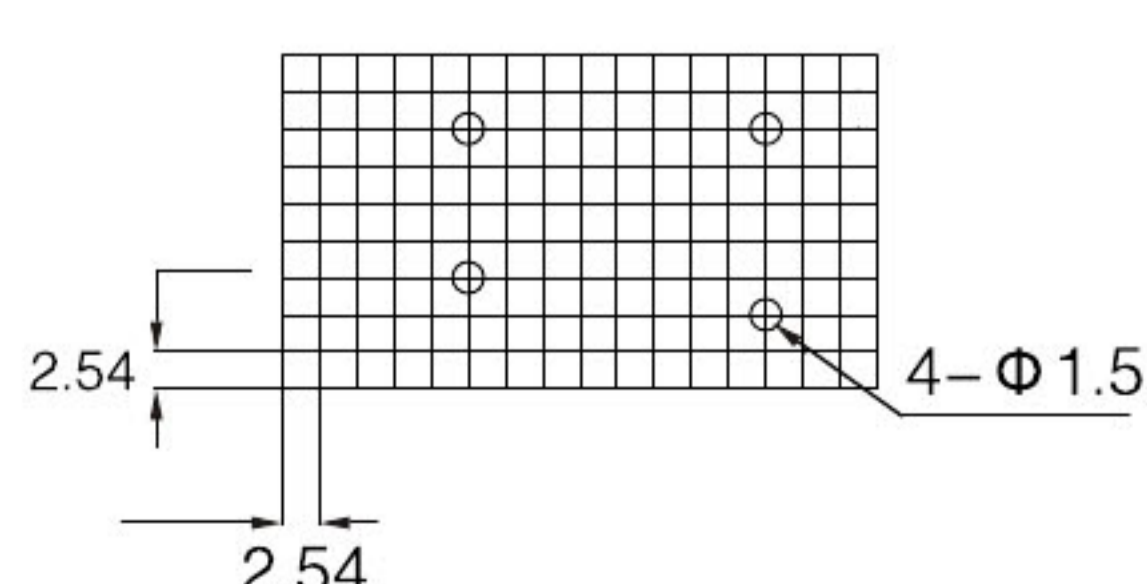
### □外形尺寸及接线图

#### Outshape dimensions & Connection Diagram

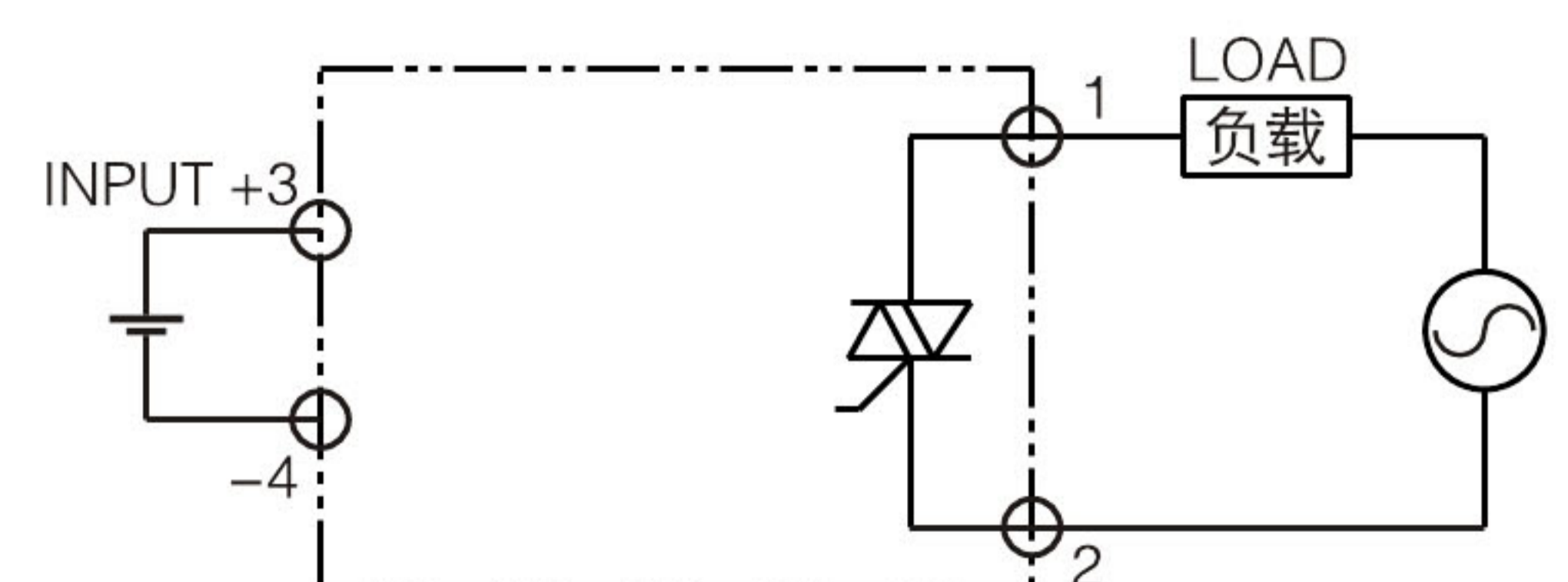
- 外形及安装尺寸图(单位: mm)  
Dimensions diagram of the Outshape and mount



- PCB板尺寸  
Size of PCB Board  
(Bottom view)



- 端子接线图 Connection Diagram



### 特点 Features

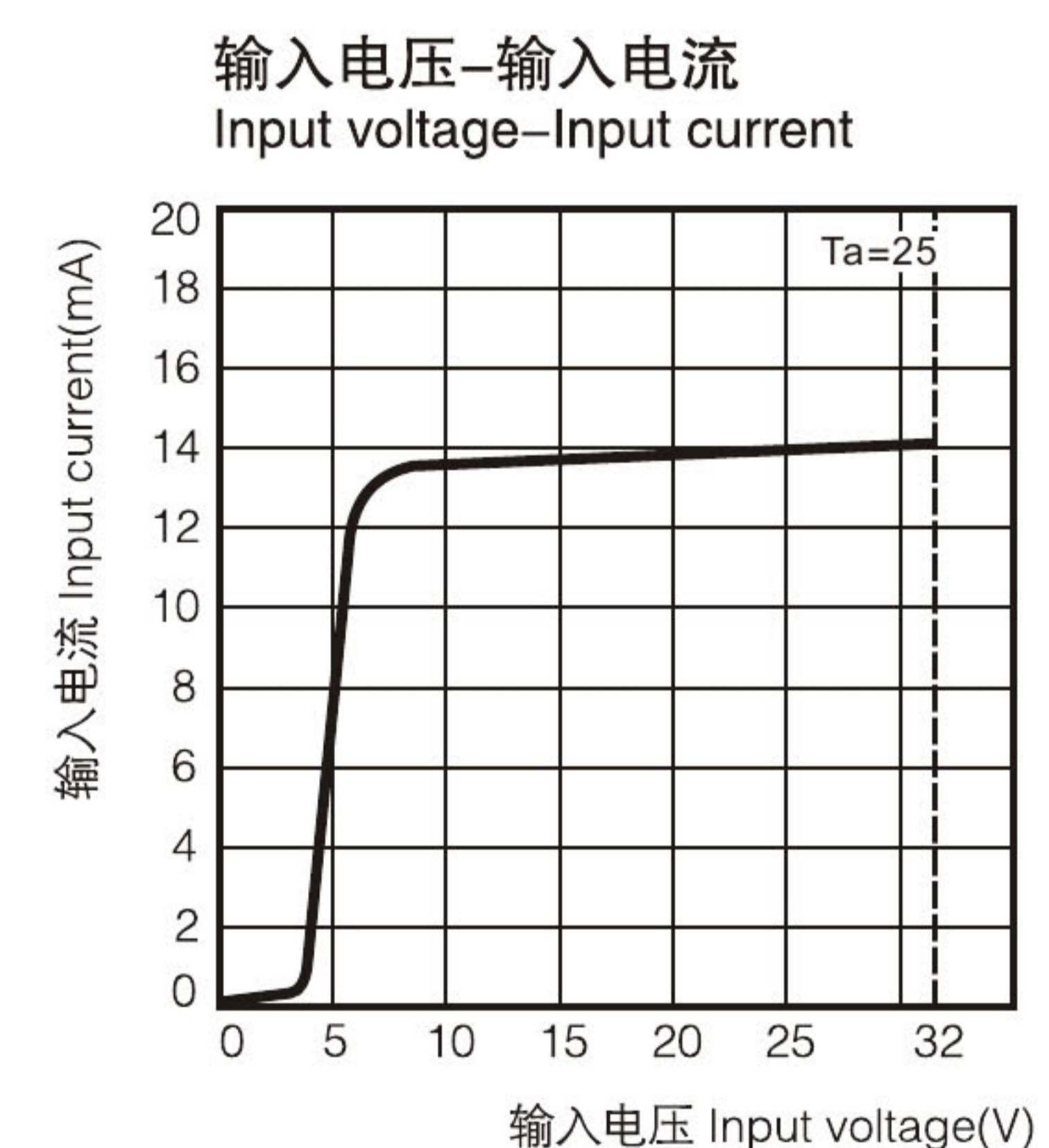
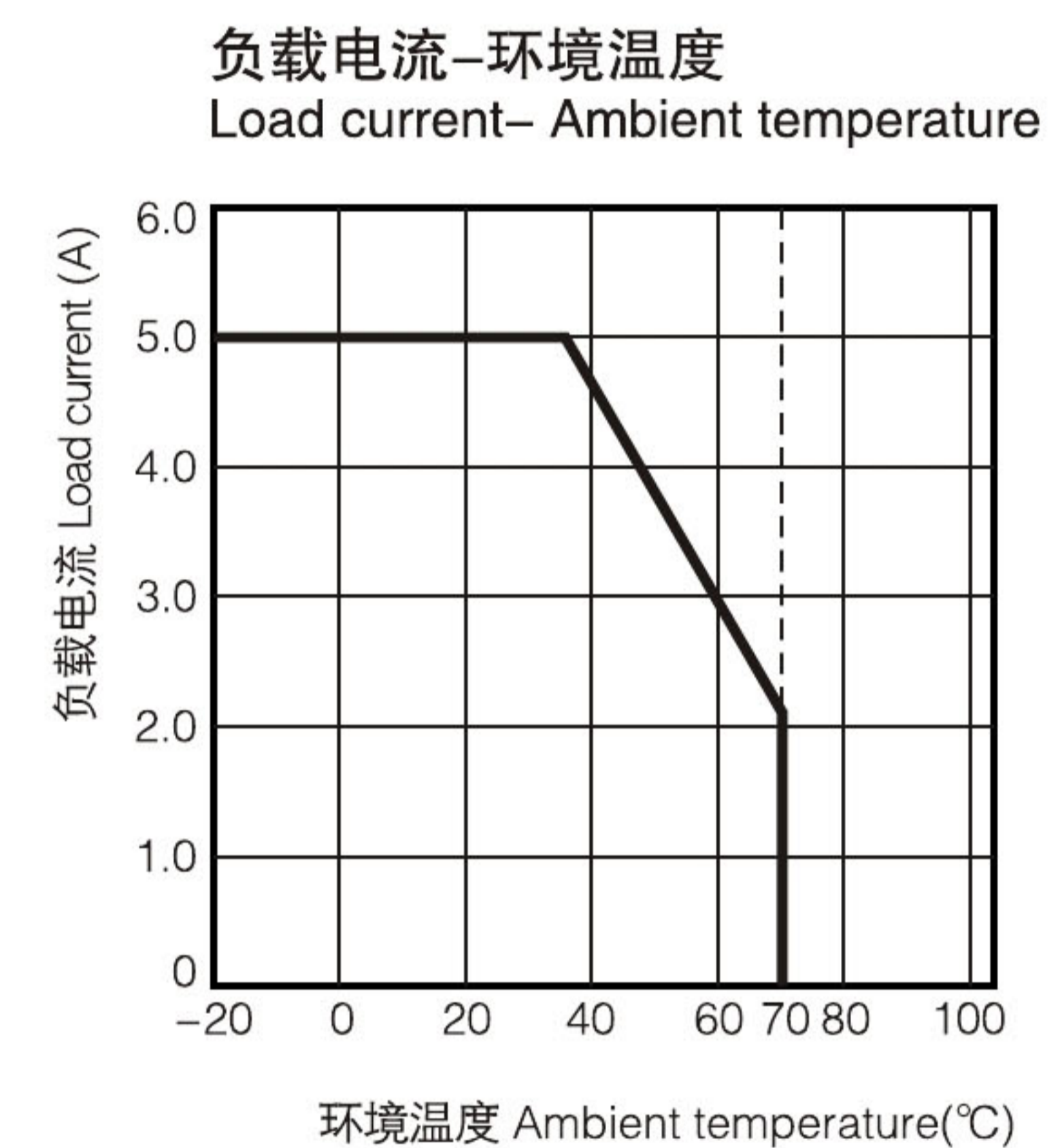
- 电路板焊接-铝外壳 双列直插式 小型交流固态继电器
- 双向可控硅常开输出
- DC-AC 直流信号控制交流负载
- 光电器件隔离
- 过零/随机触发形式
- SMD贴装工艺
- 内置RC吸收回路
- PCB soldering-Aluminum housing Dual Side Lead Insert Type Mini AC Solid State Relay
- Triac NO output
- DC-AC DC signal control AC load
- Optoelectronic devices Isolation
- Zero crossing / Random Trigger Form
- SMD mount technology
- Built-in RC absorbing circuit



### 技术参数 Technical Specification

产品型号	Product model	XSSR-DA3805P6
控制电压	Control voltage	3-32VDC
控制电流	Control current	6-25mA
反向电压	Reverse voltage	32VDC
保证关闭电压	Guarantee close voltage	1VDC
保证开通电压	Guarantee open voltage	3VDC
负载电压	Load voltage	24-380VAC
负载最大电流	Load max current	5A
负载最小电流	Load mini current	0.05A
通态压降	Breakover voltage	≤ 1.5VAC
输出漏电流	Output leakage current	≤ 3mA
介质耐压	Medium withstand voltage	≥ 2500VAC
绝缘电阻	Insulating resistance	≥ 100MΩ
开关时间	Switching time	≤ 10mS
频率范围	Frequency range	50-60Hz
工作温度	Operating temperature	-20-70°C
负载电流安全系数	load current safety factor	阻性负载取(resistive load)50-60% 感性负载取(inductive load)30-40%

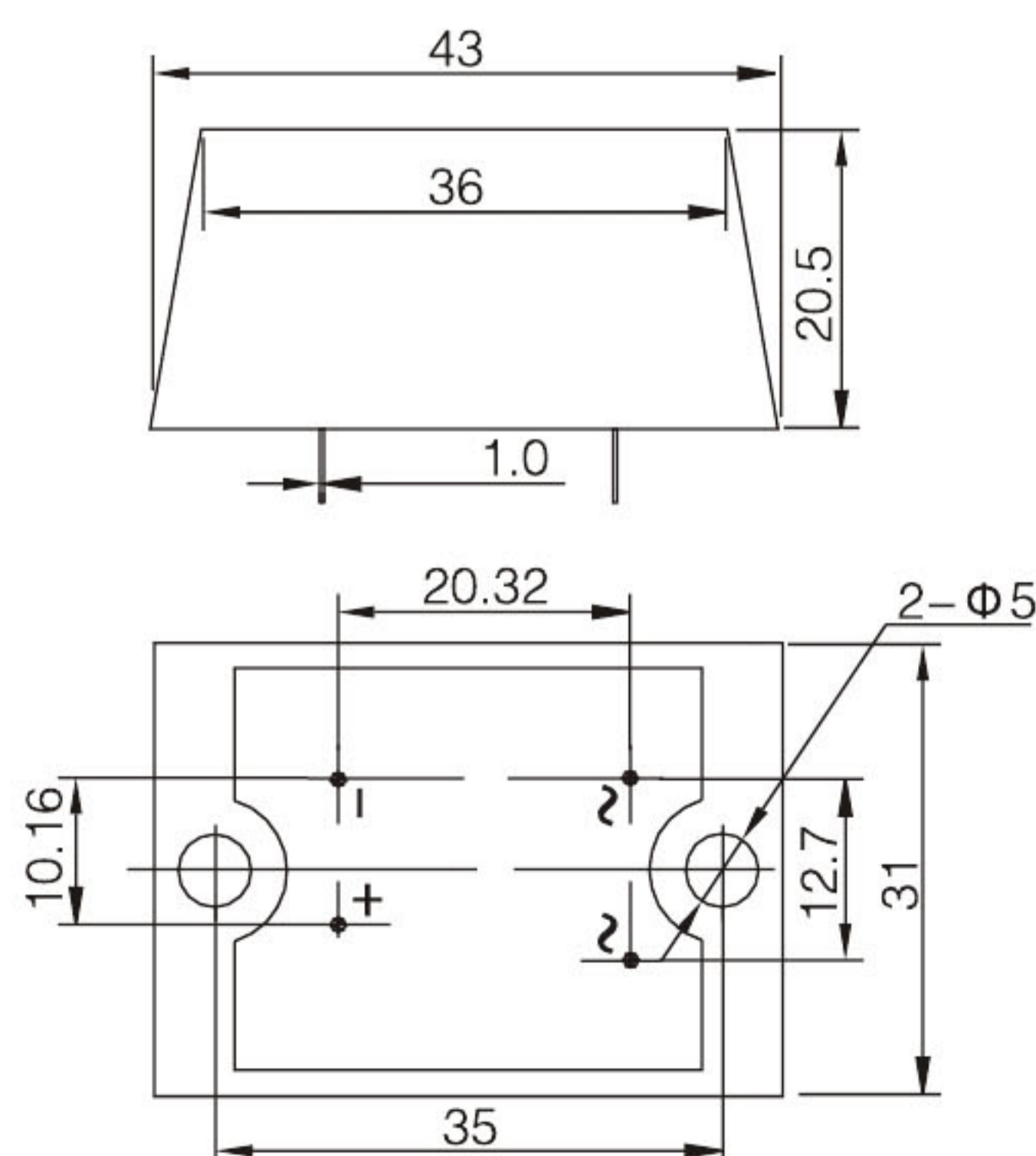
### 特性曲线 Characteristic curve



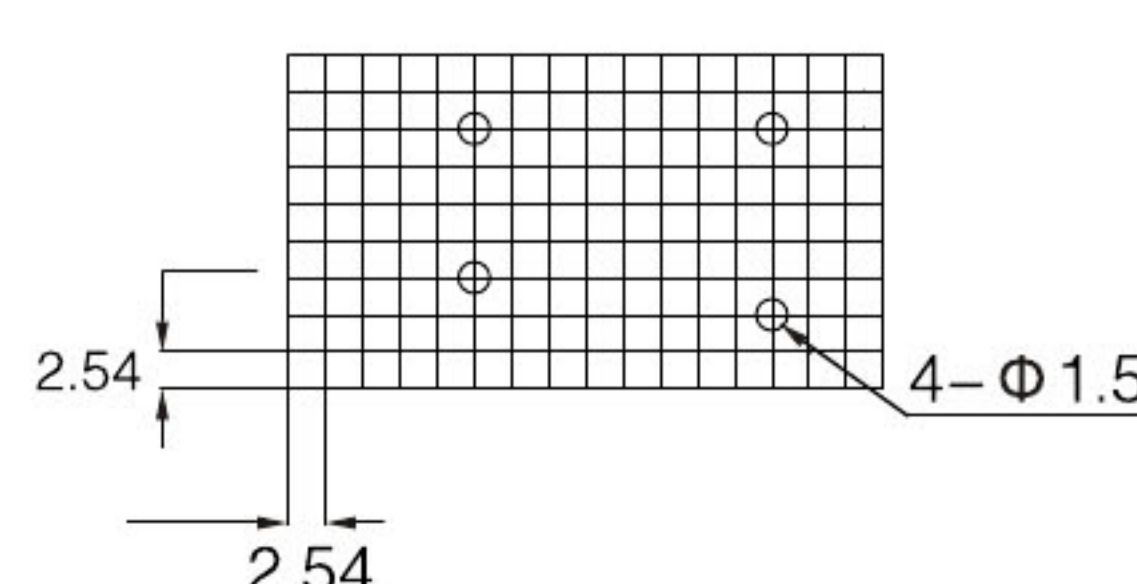
### 外形尺寸及接线图

#### Outshape dimensions & Connection Diagram

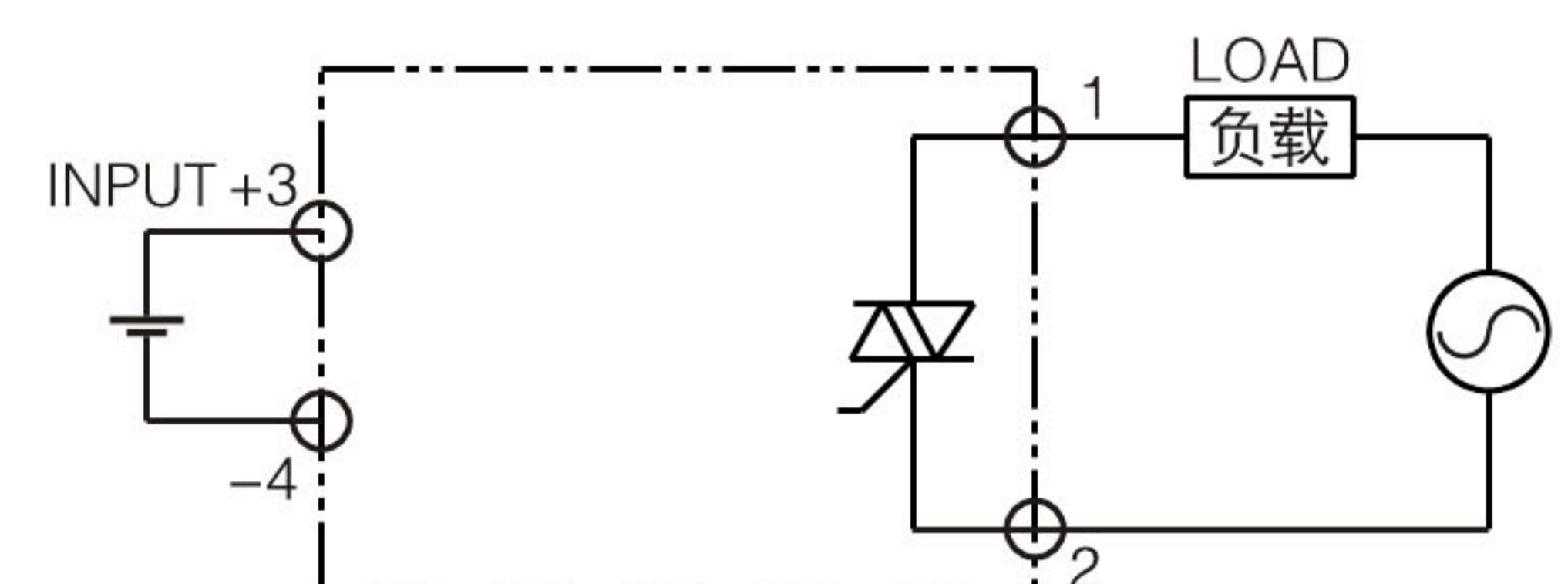
- 外形及安装尺寸图(单位: mm)  
Dimensions diagram of the Outshape and mount



- PCB板尺寸  
Size of PCB Board  
(Bottom view)



- 端子接线图 Connection Diagram





### 特点 Features

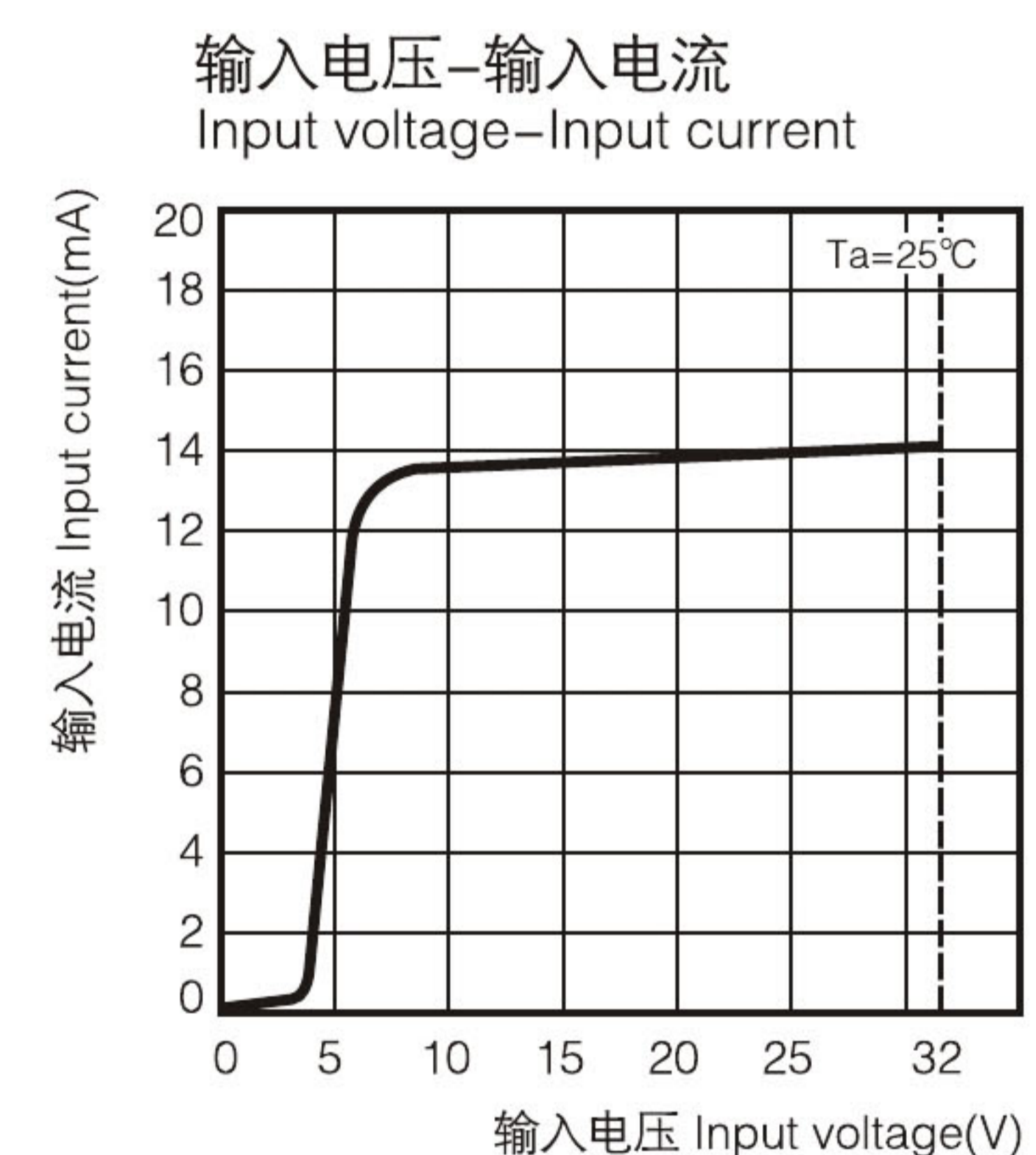
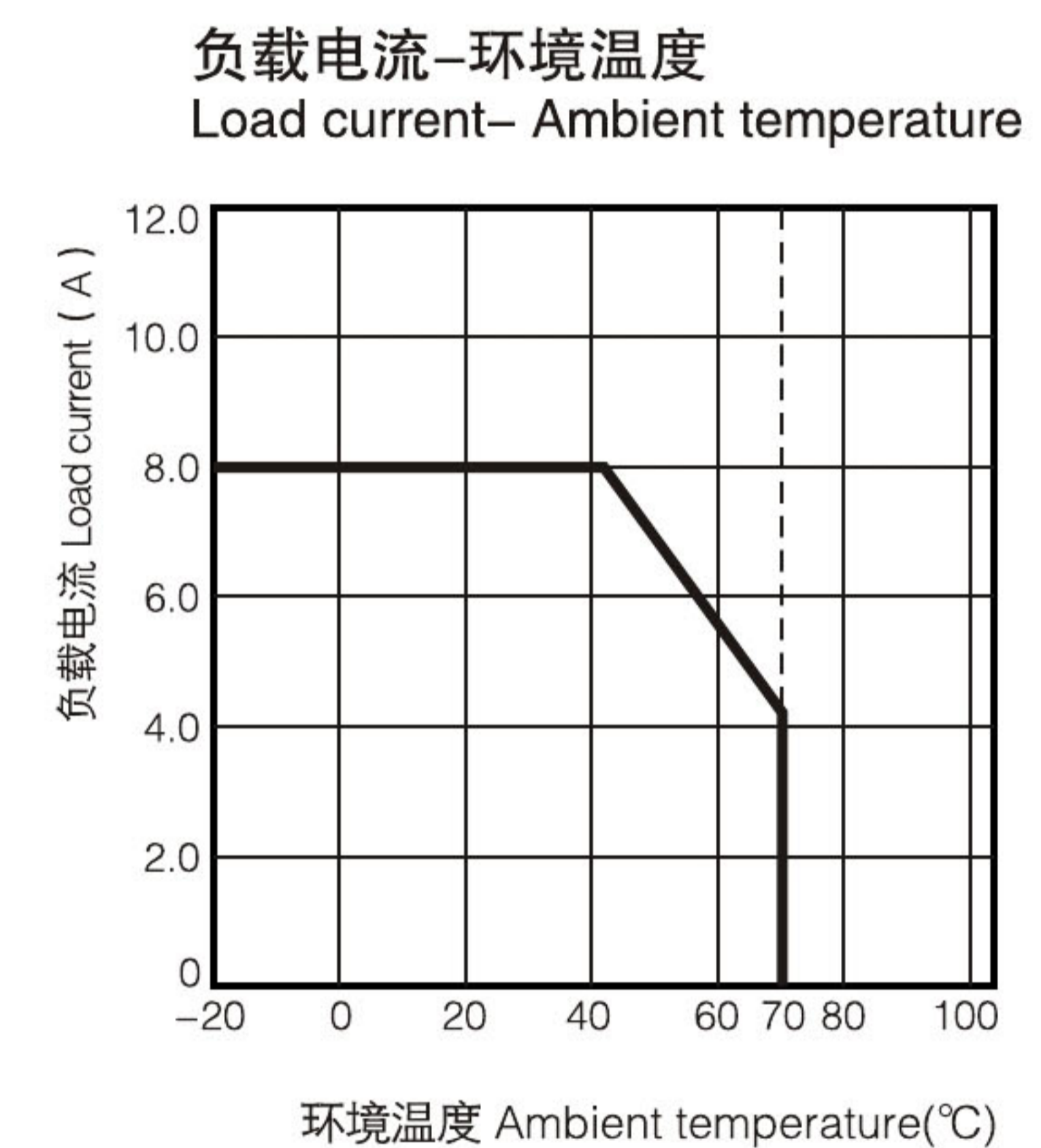
- 电路板焊接-带散热器 单列直插式 小型交流固态继电器
- 双向可控硅常开输出
- DC-AC 直流信号控制交流负载
- 光电器件隔离
- 过零/随机触发形式
- SMD贴装工艺
- 内置RC吸收回路
- PCB soldering-With heat sink Single Side Lead Insert Type Mini AC Solid State Relay
- Triac NO output
- DC-AC DC signal control AC load
- Optoelectronic devices Isolation
- Zero crossing / Random Trigger Form
- SMD mount technology
- Built-in RC absorbing circuit



### 技术参数 Technical Specification

产品型号	Product model	XSSR-DA□□P7
控制电压	Control voltage	3-32VDC
控制电流	Control current	6-25mA
反向电压	Reverse voltage	32VDC
保证关闭电压	Guarantee close voltage	1VDC
保证开通电压	Guarantee open voltage	3VDC
负载电压	Load voltage	24-240VAC 24-380VAC
负载最大电流	Load max current	3A-8A
负载最小电流	Load mini current	0.05A
通态压降	Breakover voltage	≤ 1.5VAC
输出漏电流	Output leakage current	≤ 3mA
介质耐压	Medium withstand voltage	≥ 2500VAC
绝缘电阻	Insulating resistance	≥ 100MΩ
开关时间	Switching time	≤ 10mS
频率范围	Frequency range	50-60Hz
工作温度	Operating temperature	-20-70°C
负载电流安全系数	load current safety factor	阻性负载取(resistive load)50-60% 感性负载取(inductive load)30-40%

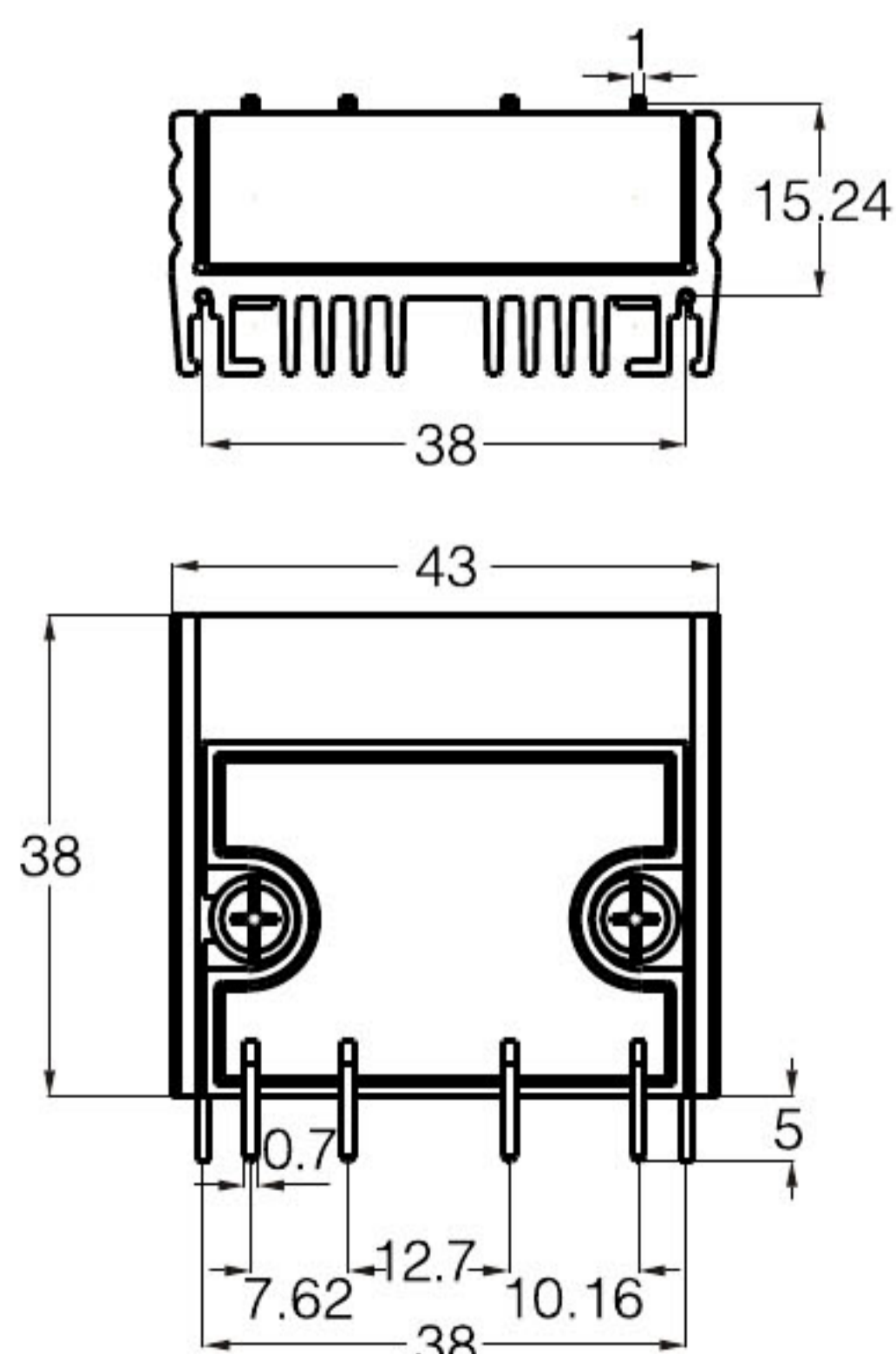
### 特性曲线 Characteristic curve



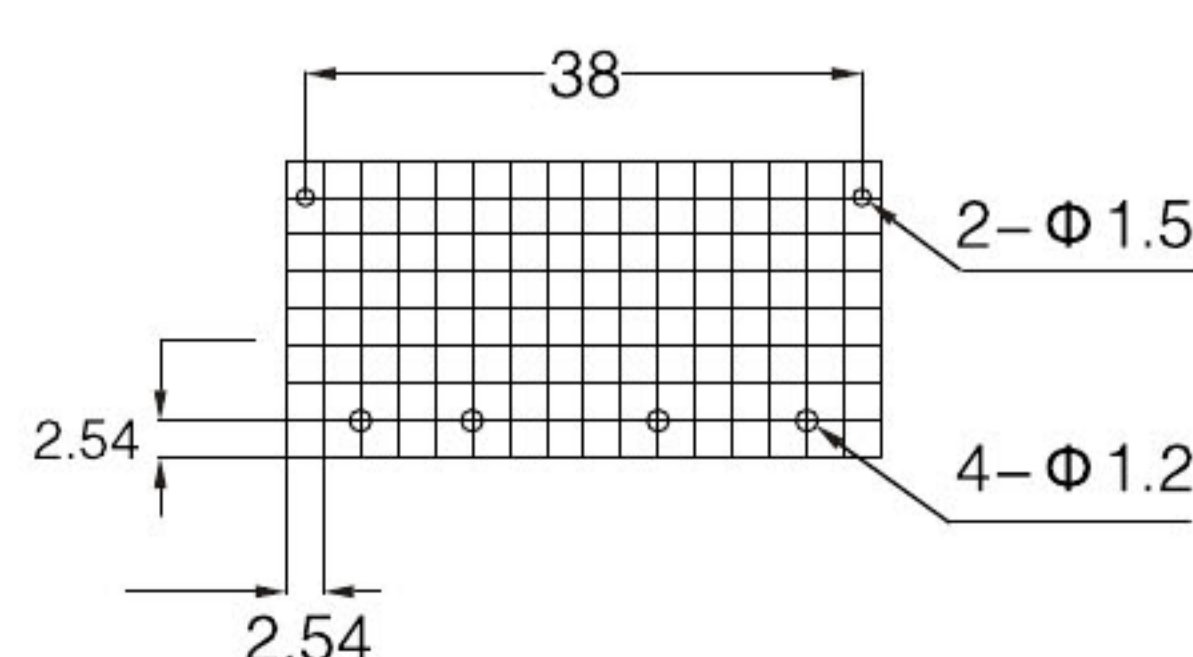
### 外形尺寸及接线图

#### Outshape dimensions & Connection Diagram

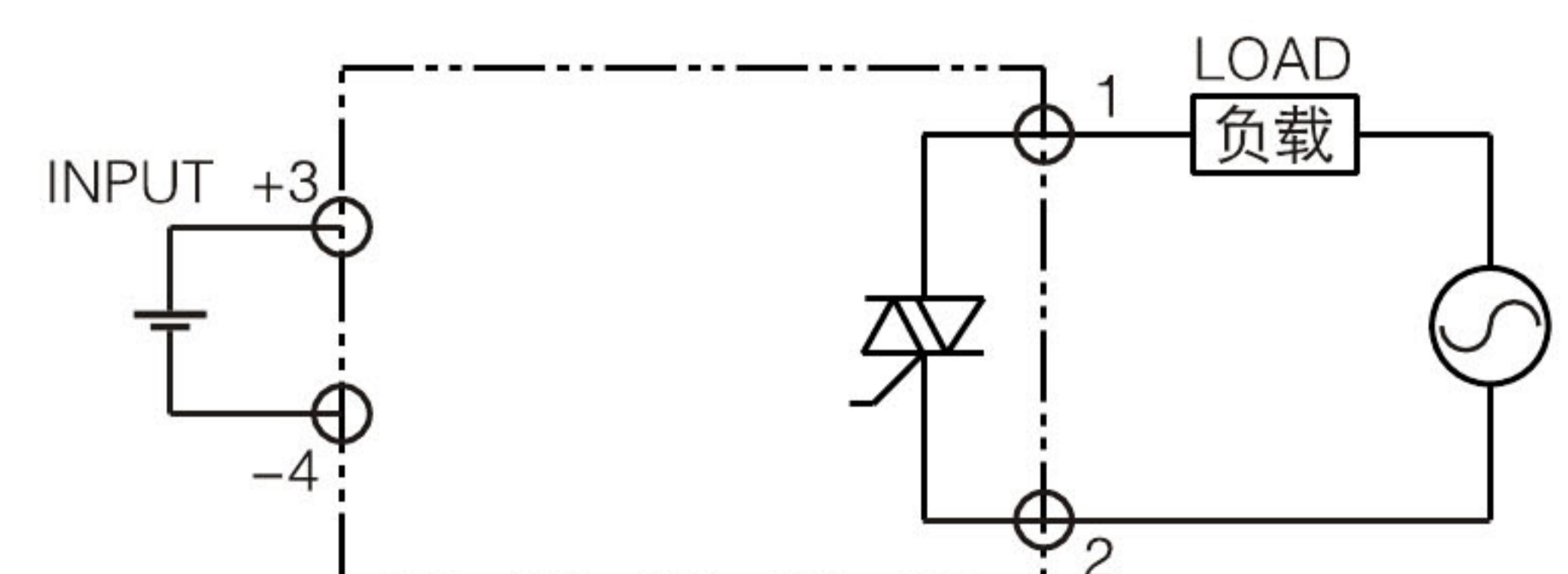
- 外形及安装尺寸图(单位: mm)  
Dimensions diagram of the Outshape and mount



- PCB板尺寸  
Size of PCB Board  
(Bottom view)



- 端子接线图 Connection Diagram



## 特点 Features

- 螺栓安装-卧式 单相交流固态继电器
- 双向可控硅/单向可控硅反并联 常开输出
- DC-AC 直流信号控制交流负载/AC-AC 交流信号控制交流负载
- 光电器件隔离
- 过零/随机触发形式
- SMD贴装工艺
- 内置RC吸收回路及压敏电阻保护
- LED 指示工作状态
- Bolt Installation-Horizontal Type Single phase AC Solid State Relay
- Triac/One-way SCR Antiparallel NO output
- DC-AC DC Signal control AC load /AC-AC AC Signal control AC load
- Optoelectronic devices Isolation
- Zero crossing / Random Trigger Form
- SMD mount technology
- Built-in RC absorbing circuit & Varistor protection
- LED Status Indicator

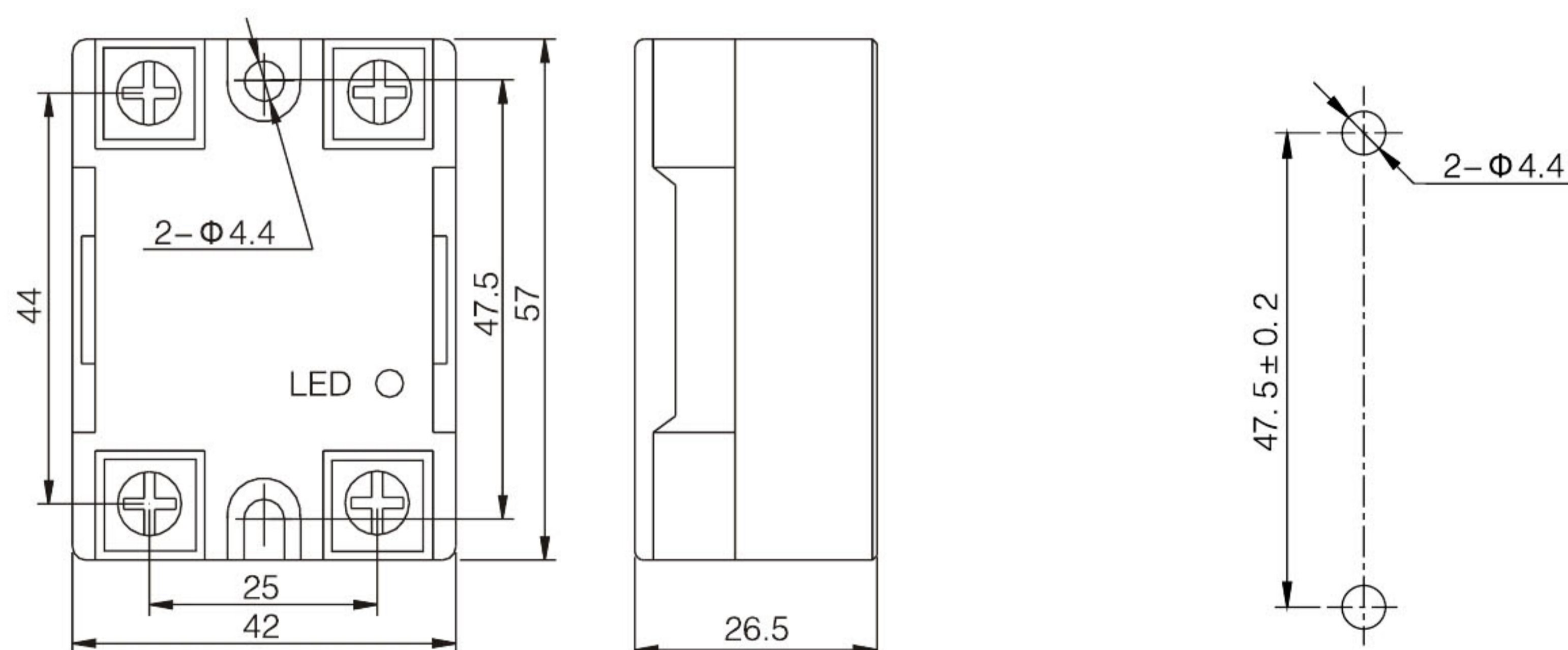
## 技术参数 Technical Specification

产品型号	Product model	XSSR-DA□□W1	XSSR-AA□□W1
控制电压	Control voltage	3-32VDC	80-250VAC
控制电流	Control current	6-25mA	5-25mA
反向电压	Reverse voltage	32VDC	/
保证关闭电压	Guarantee close voltage	1VDC	30VAC
保证开通电压	Guarantee open voltage	3VDC	80VAC
负载电压	Load voltage	24-240VAC 75-480VAC	
负载最大电流	Load max current	5A-75A	
负载最小电流	Load mini current	0.08A	
通态压降	Breakover voltage	≤1.6VAC	
输出漏电流	Output leakage current	≤5mA	
介质耐压	Medium withstand voltage	≥2500VAC	
绝缘电阻	Insulating resistance	≥100MΩ	
开关时间	Switching time	≤10mS	
频率范围	Frequency range	50-60Hz	
工作温度	Operating temperature	-20-70°C	
负载电流安全系数 load current safety factor		阻性负载取(resistive load)50-60% 感性负载取(inductive load)30-40%	

## 外形尺寸及接线图

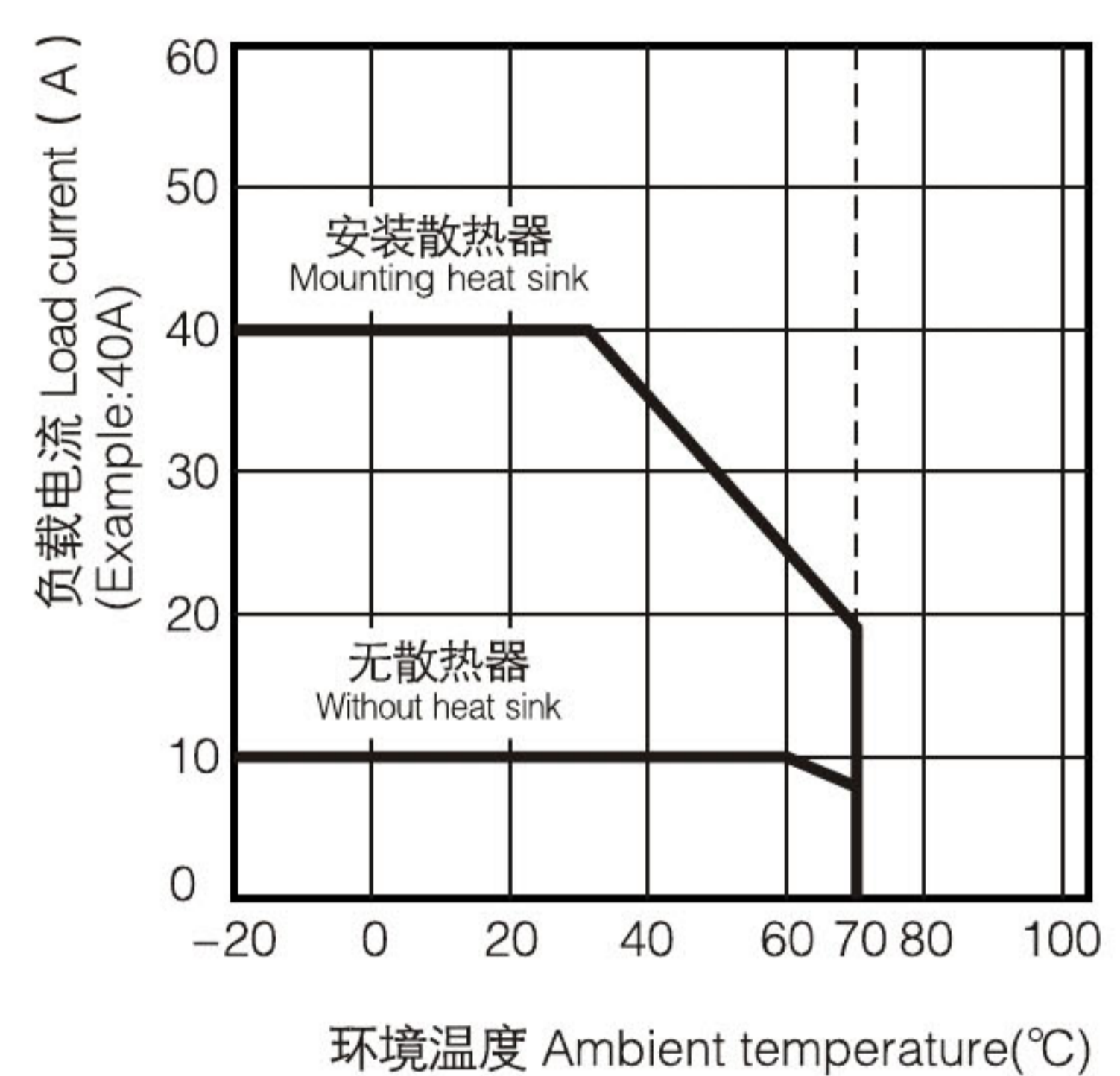
### Outshape dimensions & Connection Diagram

- 外形及安装尺寸图(单位: mm)  
Dimensions diagram of the Outshape and mount

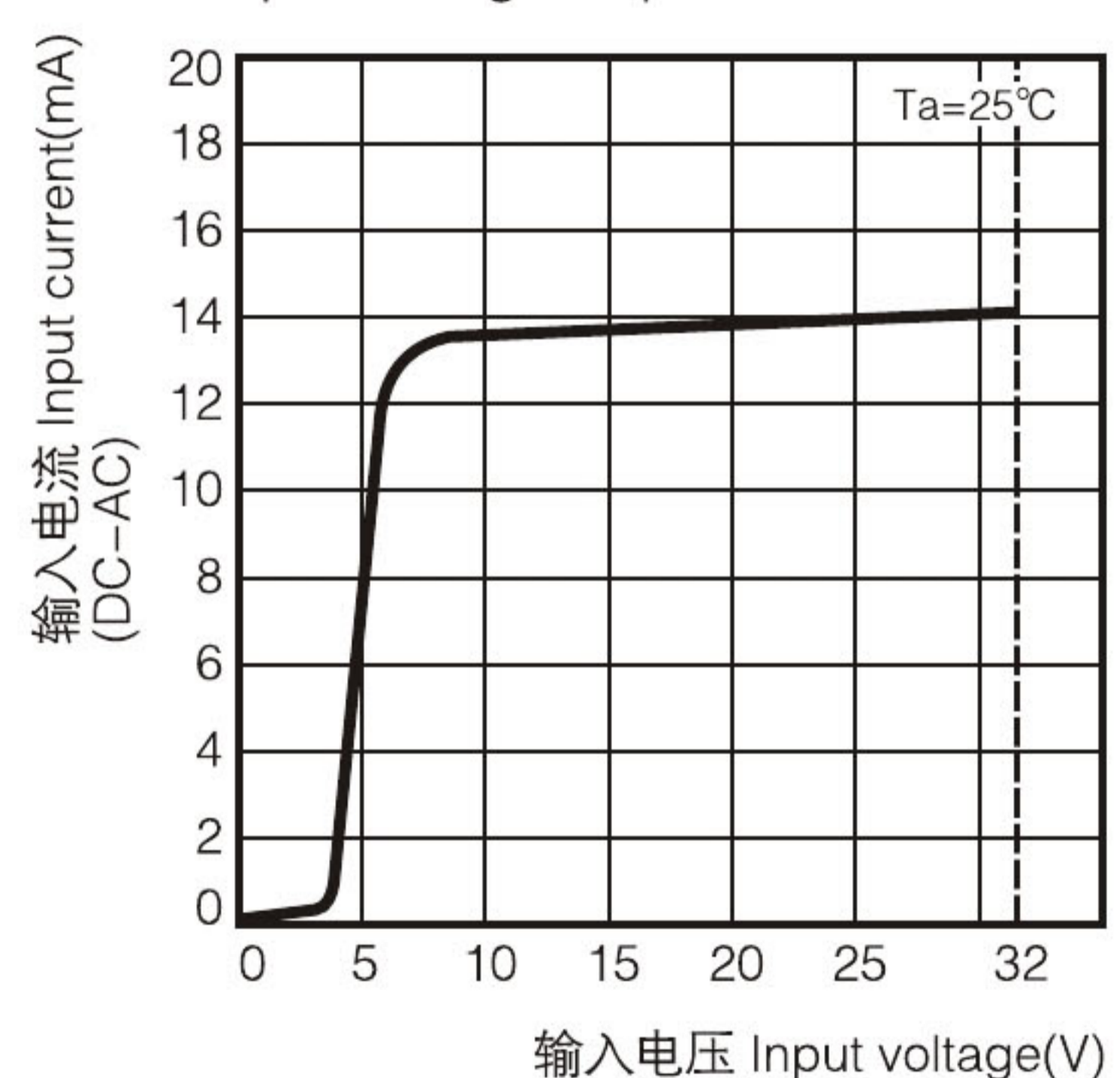


## 特性曲线 Characteristic curve

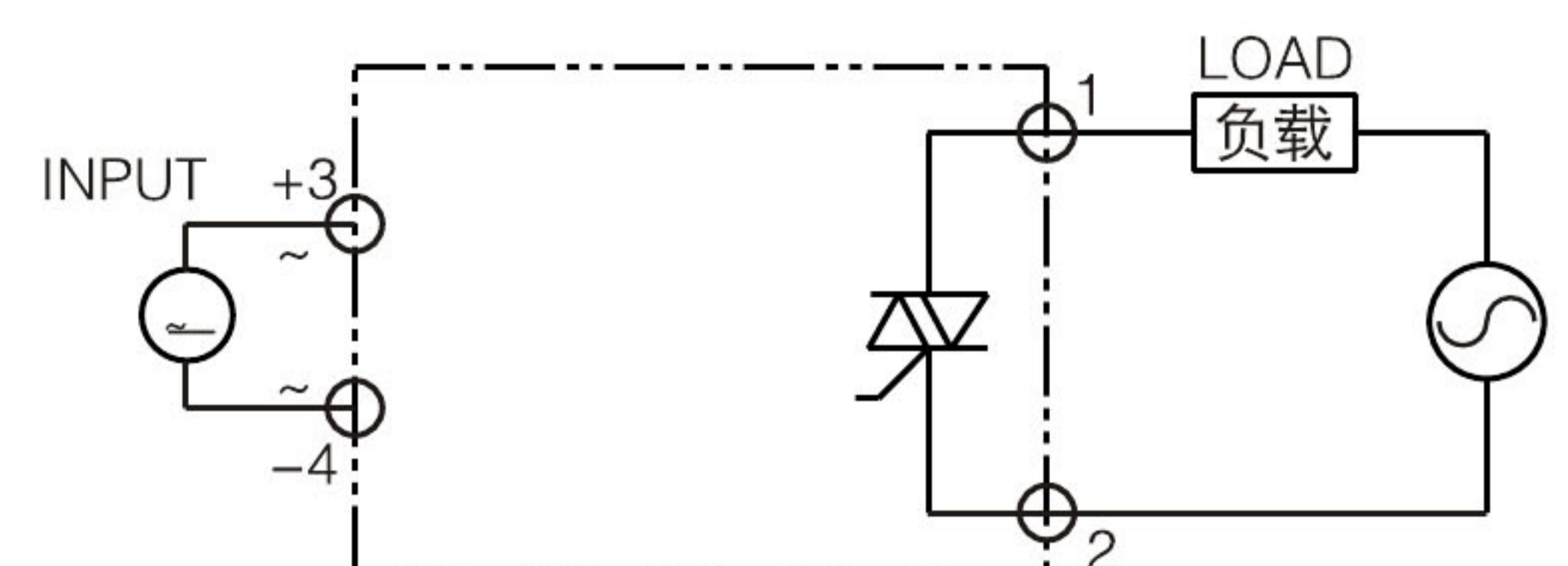
负载电流-环境温度  
Load current- Ambient temperature



输入电压-输入电流  
Input voltage-Input current



## 端子接线图 Connection Diagram



## 特点 Features

- 螺栓安装-卧式 单相交流固态继电器
- 单向可控硅芯片反并联 常开输出
- DC-AC 直流信号控制交流负载/AC-AC 交流信号控制交流负载
- 光电器件隔离
- 过零/随机触发形式
- SMD贴装工艺
- 内置RC吸收回路
- LED 指示工作状态
- Bolt Installation-Horizontal Type Single phase AC Solid State Relay
- One-way SCR chip antiparallel NO output
- DC-AC DC Singnal control AC load /AC-AC AC Signal control AC load
- Optoelectronic devices Isolation
- Zero crossing / Random Trigger Form
- SMD mount technology
- Built-in RC absorbing circuit
- LED Status Indicator

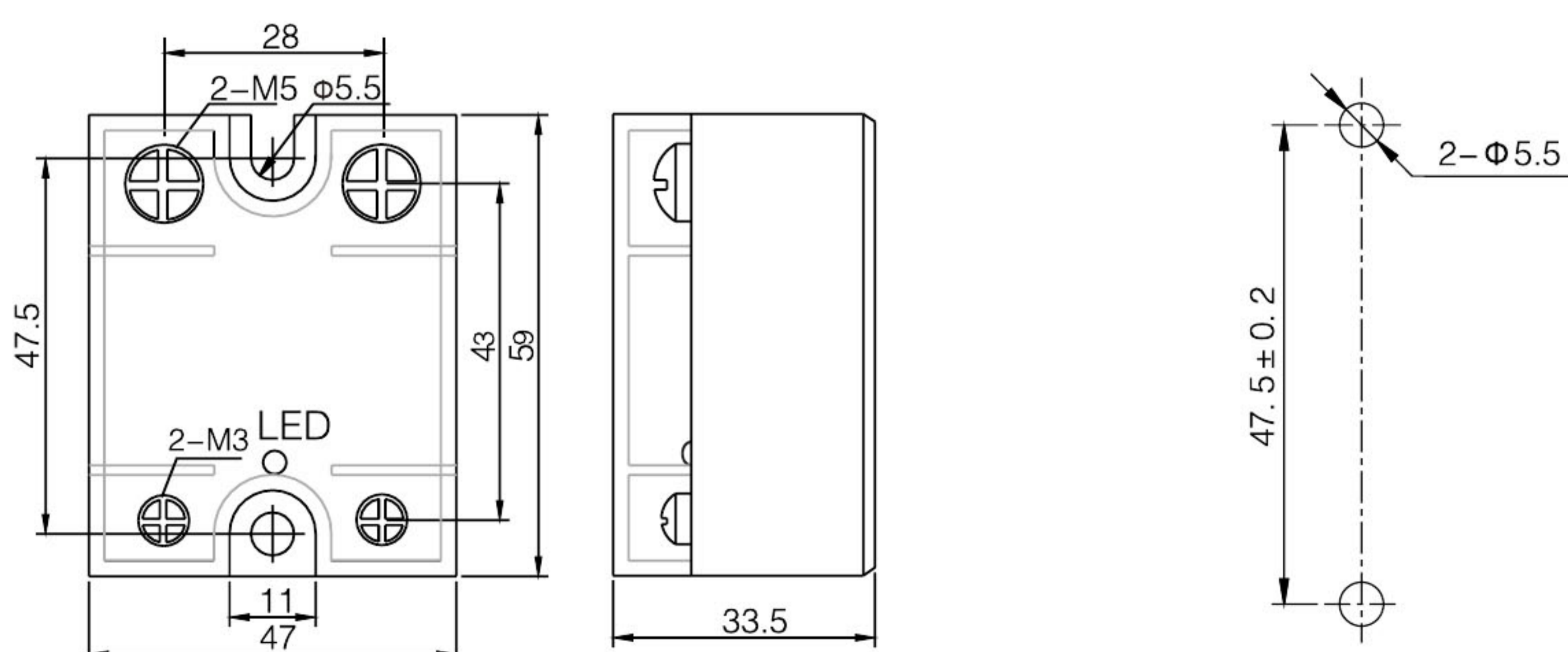
## 技术参数 Technical Specification

产品型号	Product model	XSSR-DA□□W2	XSSR-AA□□W2
控制电压	Control voltage	3-32VDC	80-250VAC
控制电流	Control current	6-25mA	5-25mA
反向电压	Reverse voltage	32VDC	/
保证关闭电压	Guarantee close voltage	1VDC	30VAC
保证开通电压	Guarantee open voltage	3VDC	80VAC
负载电压	Load voltage	75-480VAC	
负载最大电流	Load max current	50A-200A	
负载最小电流	Load mini current	0.1A	
通态压降	Breakover voltage	≤2VAC	
输出漏电流	Output leakage current	≤8mA	
介质耐压	Medium withstand voltage	≥2500VAC	
绝缘电阻	Insulating resistance	≥100MΩ	
开关时间	Switching time	≤10mS	
频率范围	Frequency range	50-60Hz	
工作温度	Operating temperature	-20-70°C	
负载电流安全系数	load current safety factor	阻性负载取(resistive load)50-60% 感性负载取(inductive load)30-40%	

## 外形尺寸及接线图

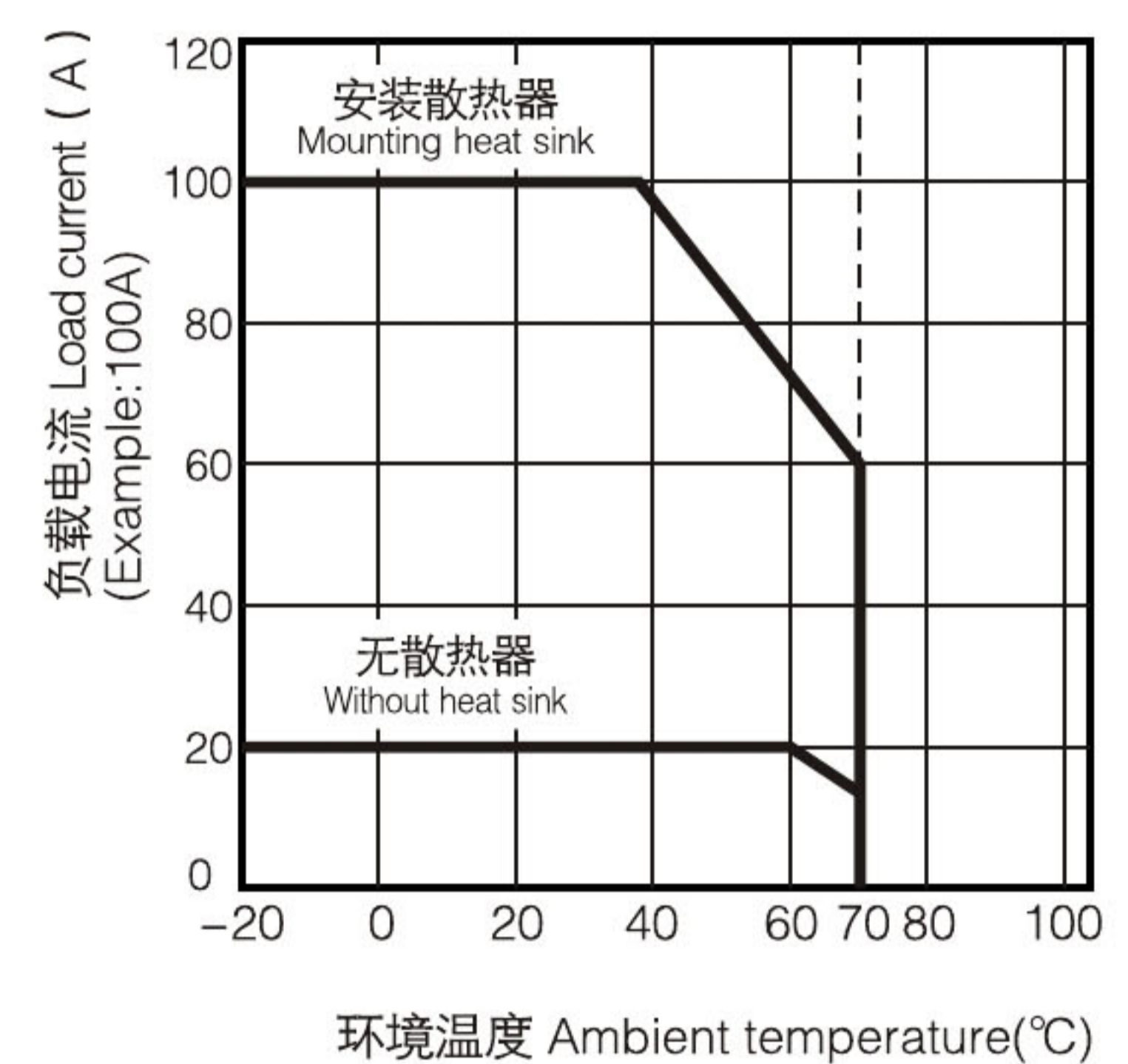
### Outshape dimensions & Connection Diagram

- 外形及安装尺寸图(单位: mm)  
Dimensions diagram of the Outshape and mount

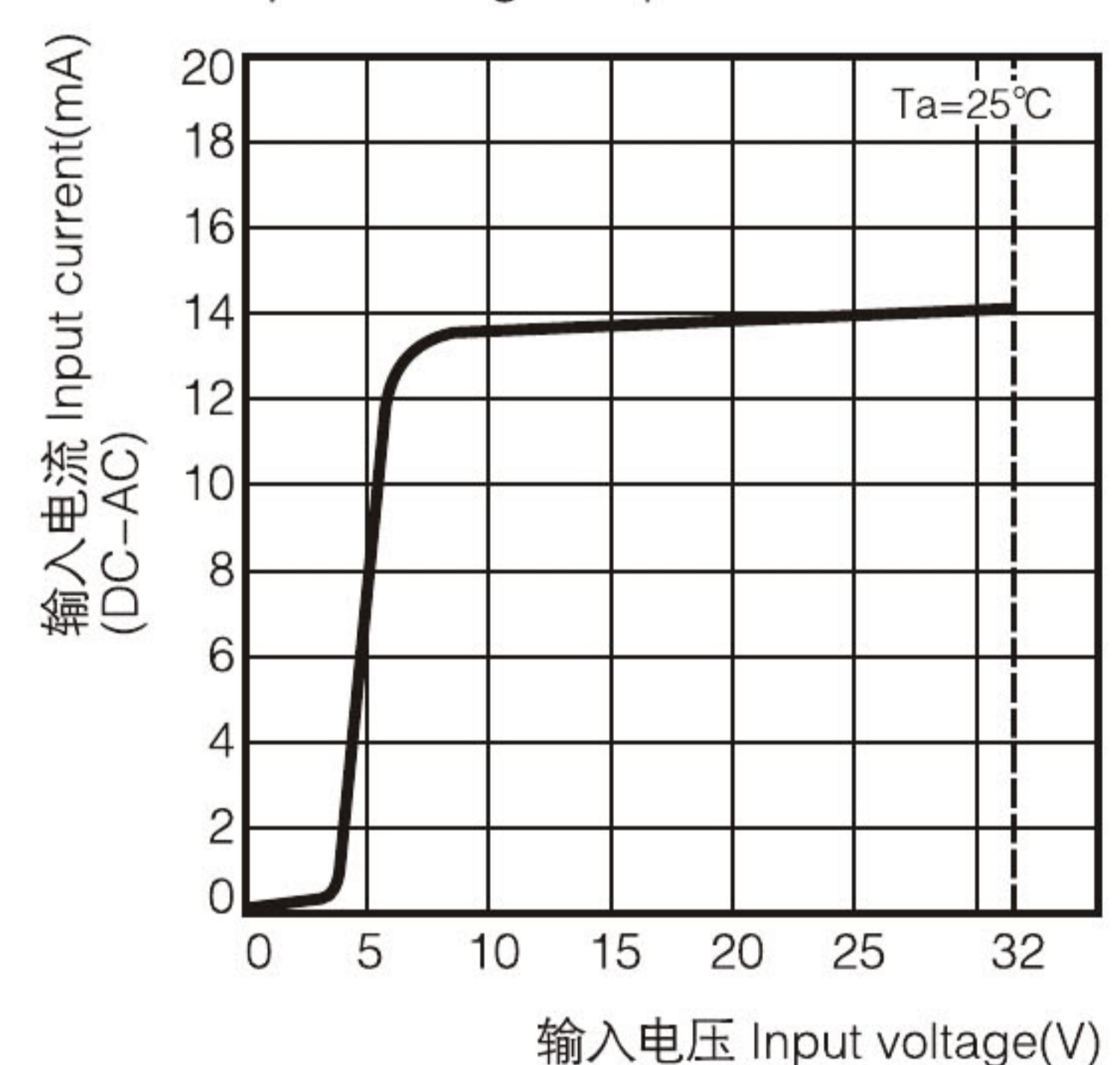


## 特性曲线 Characteristic curve

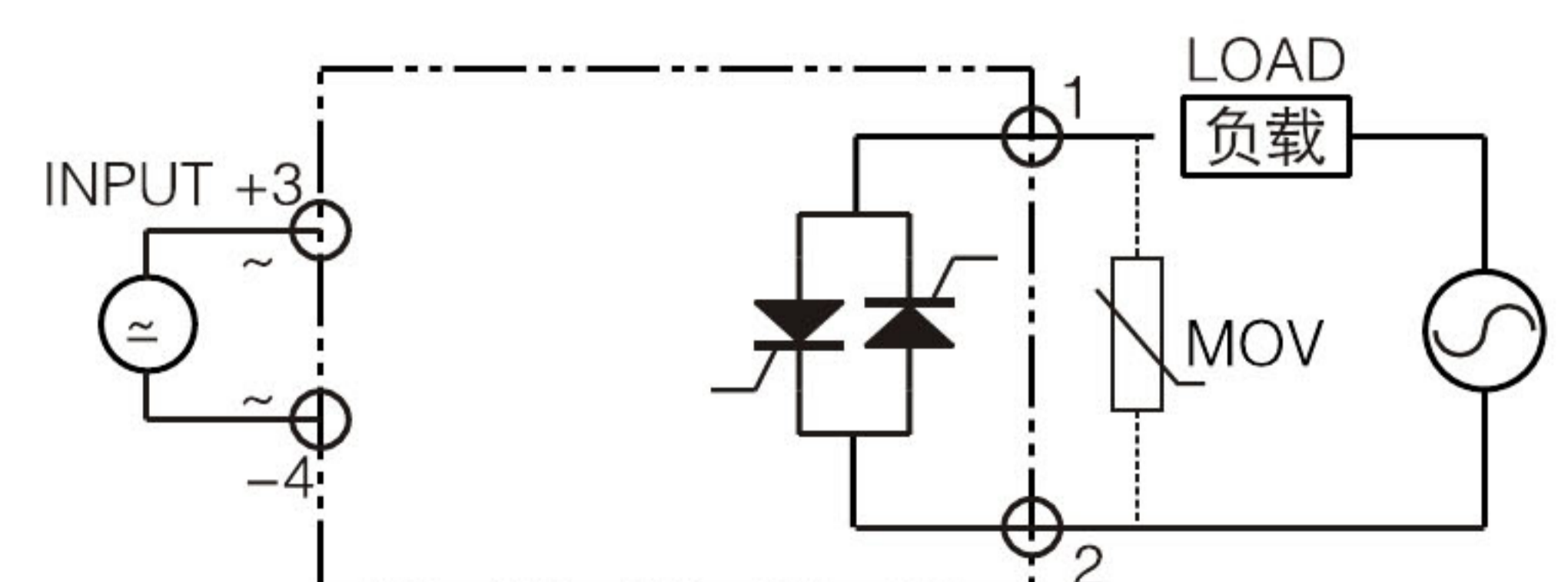
负载电流-环境温度  
Load current- Ambient temperature



输入电压-输入电流  
Input voltage-Input current



### 端子接线图 Connection Diagram



### □特点 Features

- 螺栓安装-卧式 单相交流固态继电器
- 双向可控硅/单向可控硅芯片反并联 常开输出
- DC-AC 直流信号控制交流负载
- 光电器件隔离
- 过零/随机触发形式
- 内置RC吸收回路
- LED 指示工作状态
- Bolt Installation-Horizontal Type Single phase AC Solid State Relay
- Triac/One-way SCR chip Antiparallel NO output
- DC-AC DC Signal control AC load
- Optoelectronic devices Isolation
- Zero crossing / Random Trigger Form
- Built-in RC absorbing circuit
- LED Status Indicator

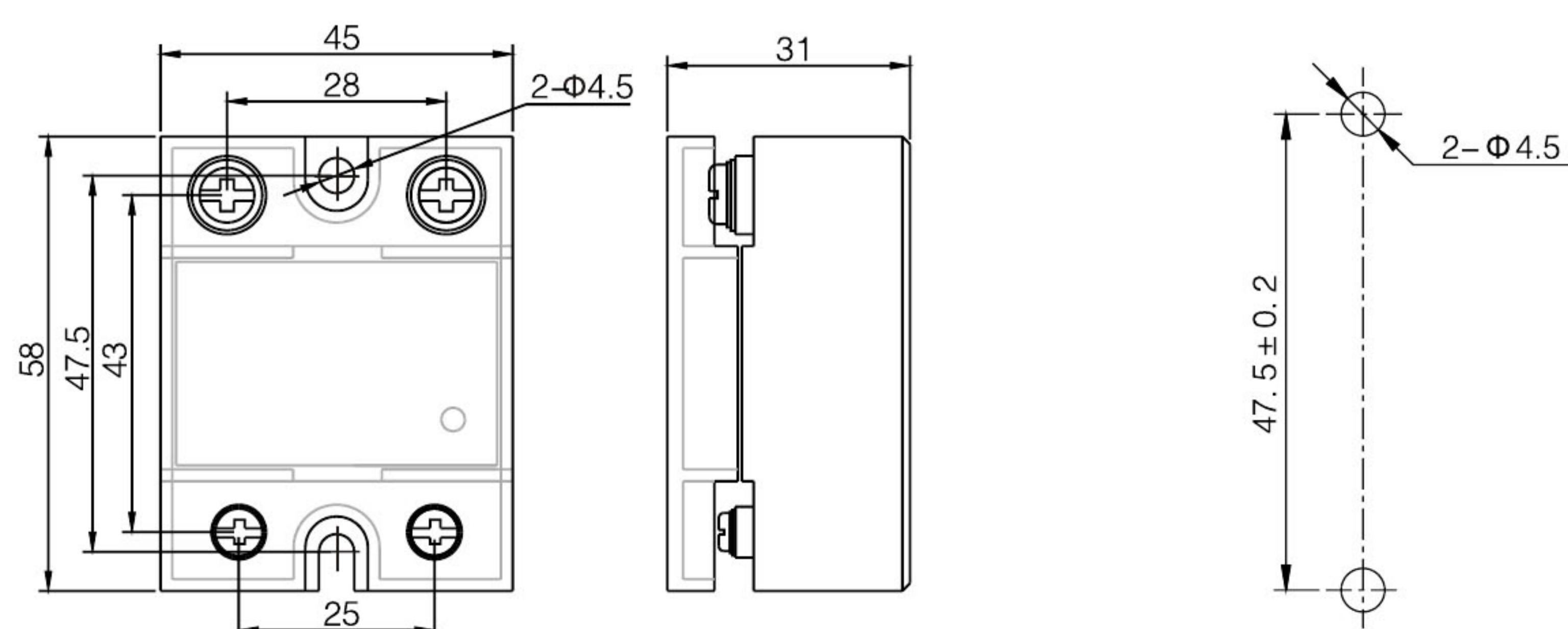
### □技术参数 Technical Specification

产品型号	Product model	XSSR-DA□□W5
控制电压	Control voltage	3-32VDC
控制电流	Control current	6-25mA
反向电压	Reverse voltage	32VDC
保证关闭电压	Guarantee close voltage	1VDC
保证开通电压	Guarantee open voltage	3VDC
负载电压	Load voltage	75-480VAC
负载最大电流	Load max current	10A-125A
负载最小电流	Load mini current	0.08A
通态压降	Breakover voltage	≤ 1.8VAC
输出漏电流	Output leakage current	≤ 8mA
介质耐压	Medium withstand voltage	≥ 2500VAC
绝缘电阻	Insulating resistance	≥ 100MΩ
开关时间	Switching time	≤ 10mS
频率范围	Frequency range	50-60Hz
工作温度	Operating temperature	-20-70°C
负载电流安全系数 load current safety factor		阻性负载取(resistive load)50-60% 感性负载取(inductive load)30-40%

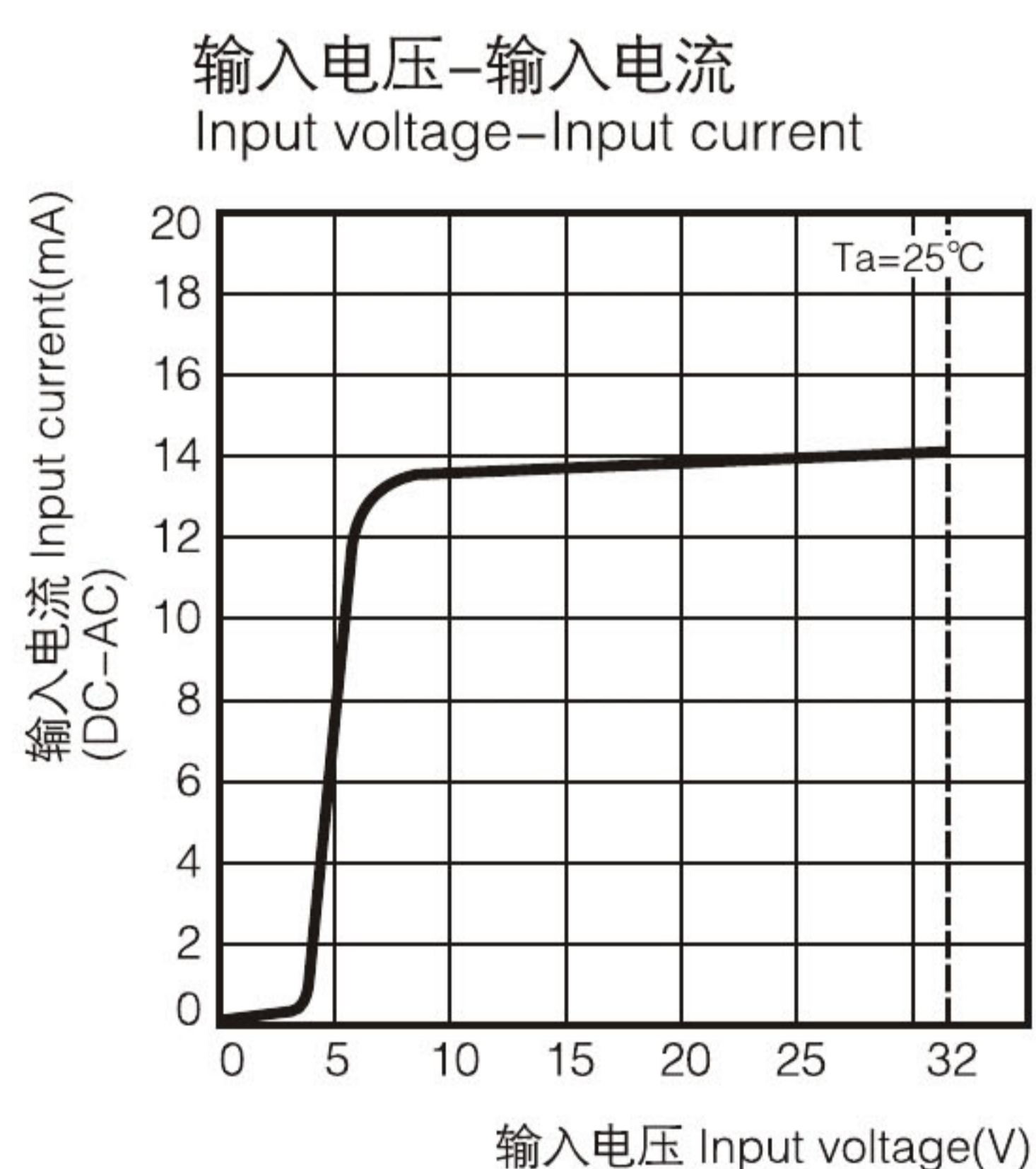
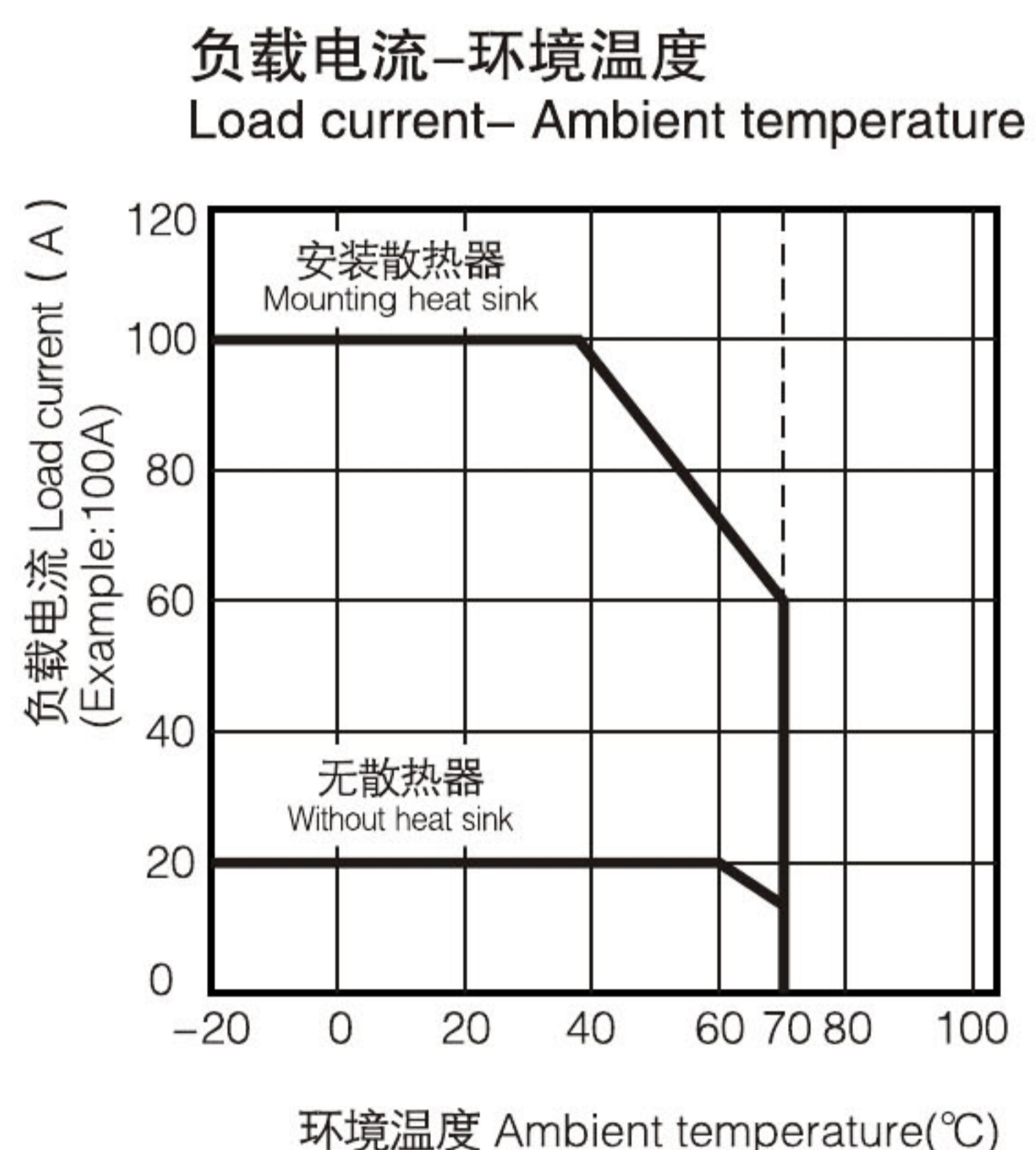
### □外形尺寸及接线图

#### Outshape dimensions & Connection Diagram

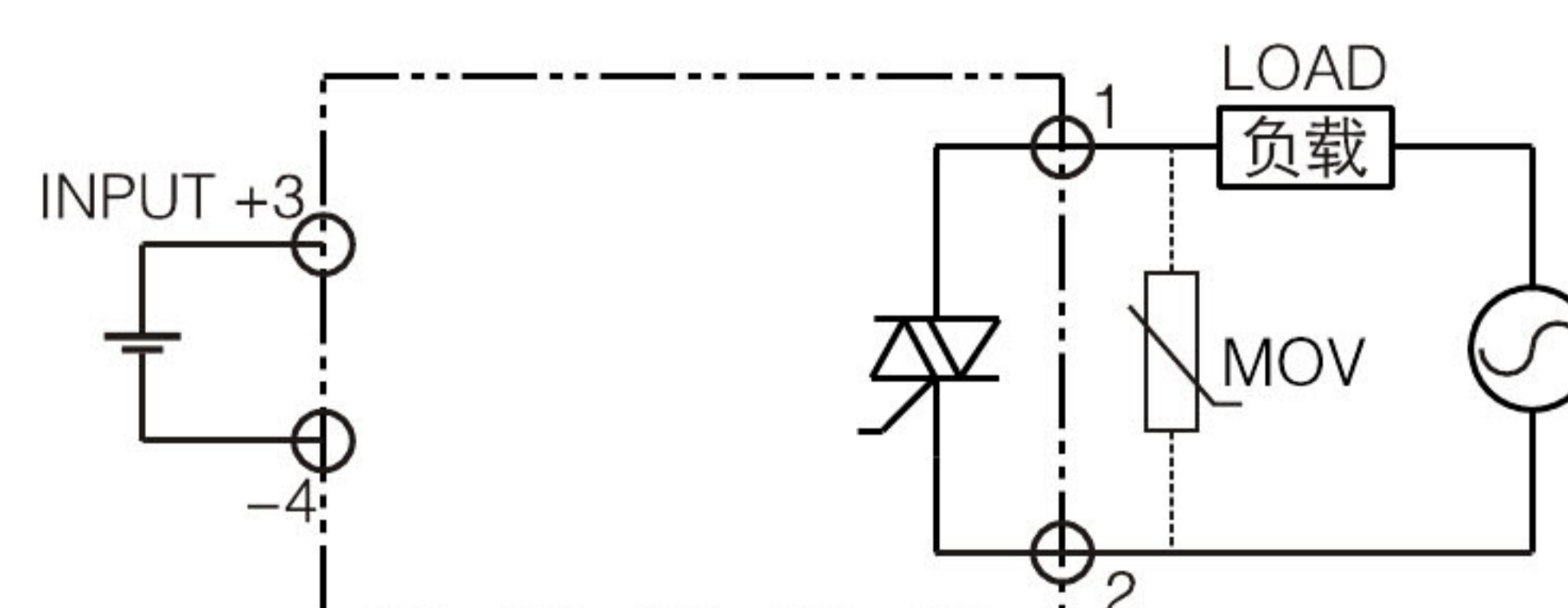
- 外形及安装尺寸图(单位: mm)  
Dimensions diagram of the Outshape and mount



### □特性曲线 Characteristic curve



### • 端子接线图 Connection Diagram



## 特点 Features

- 螺栓安装-卧式 单相交流固态继电器
- 专利设计
- 双向可控硅 常开输出
- DC-AC 直流信号控制交流负载/AC-AC 交流信号控制交流负载
- 光电器件隔离
- 过零/随机触发形式
- SMD贴装工艺
- 内置RC吸收回路及压敏电阻保护
- LED 指示工作状态
- Bolt Installation-Horizontal Type Single phase AC Solid State Relay
- Patent design
- Triac NO output
- DC-AC DC Signal control AC load /AC-AC AC Signal control AC load
- Optoelectronic devices Isolation
- Zero crossing / Random Trigger Form
- SMD mount technology
- Built-in RC absorbing circuit & Varistor protection
- LED Status Indicator

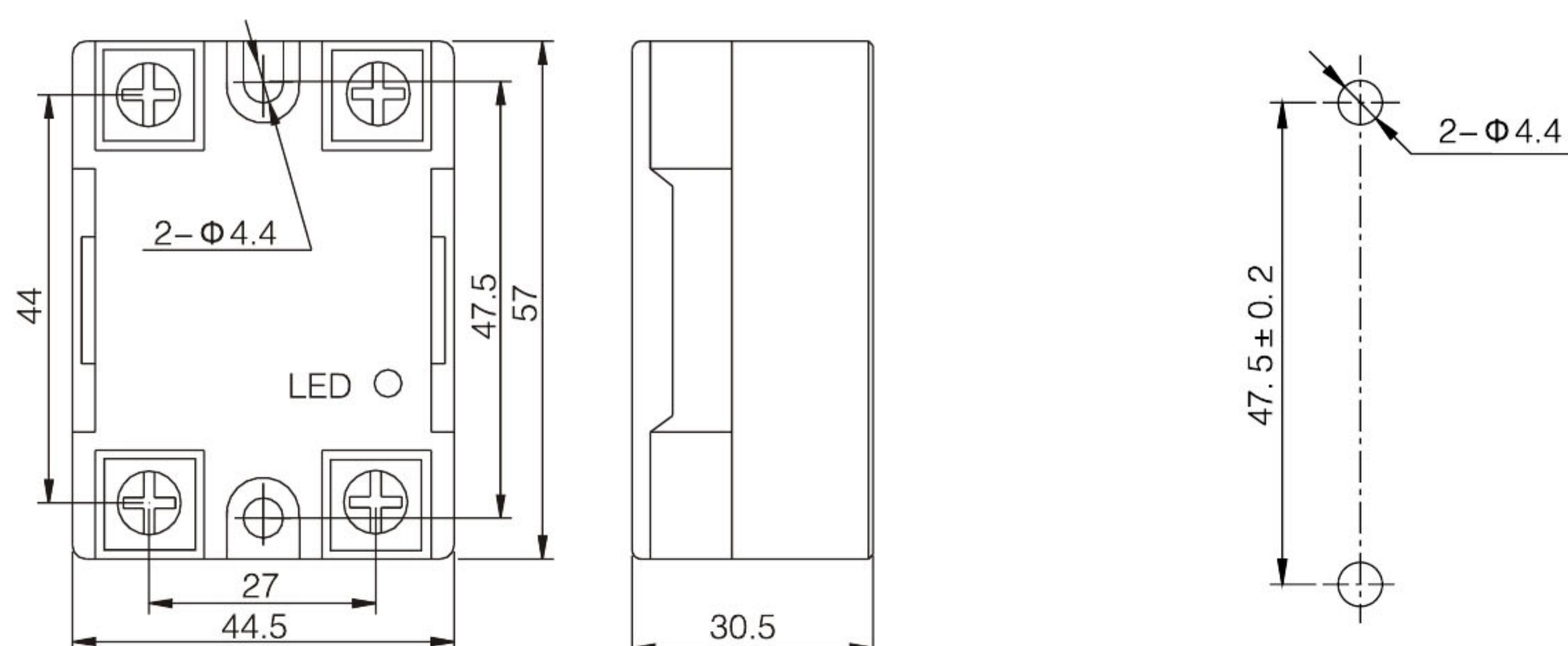
## 技术参数 Technical Specification

产品型号	Product model	XSSR-DA□□W6	XSSR-AA□□W6
控制电压	Control voltage	3-32VDC	80-250VAC
控制电流	Control current	6-25mA	5-25mA
反向电压	Reverse voltage	32VDC	/
保证关闭电压	Guarantee close voltage	1VDC	30VAC
保证开通电压	Guarantee open voltage	3VDC	80VAC
负载电压	Load voltage	75-480VAC	
负载最大电流	Load max current	10A-100A	
负载最小电流	Load mini current	0.08A	
通态压降	Breakover voltage	≤2VAC	
输出漏电流	Output leakage current	≤5mA	
介质耐压	Medium withstand voltage	≥2500VAC	
绝缘电阻	Insulating resistance	≥100MΩ	
开关时间	Switching time	≤10mS	
频率范围	Frequency range	50-60Hz	
工作温度	Operating temperature	-20-70°C	
负载电流安全系数 load current safety factor		阻性负载取(resistive load)50-60%	感性负载取(inductive load)30-40%

## 外形尺寸及接线图

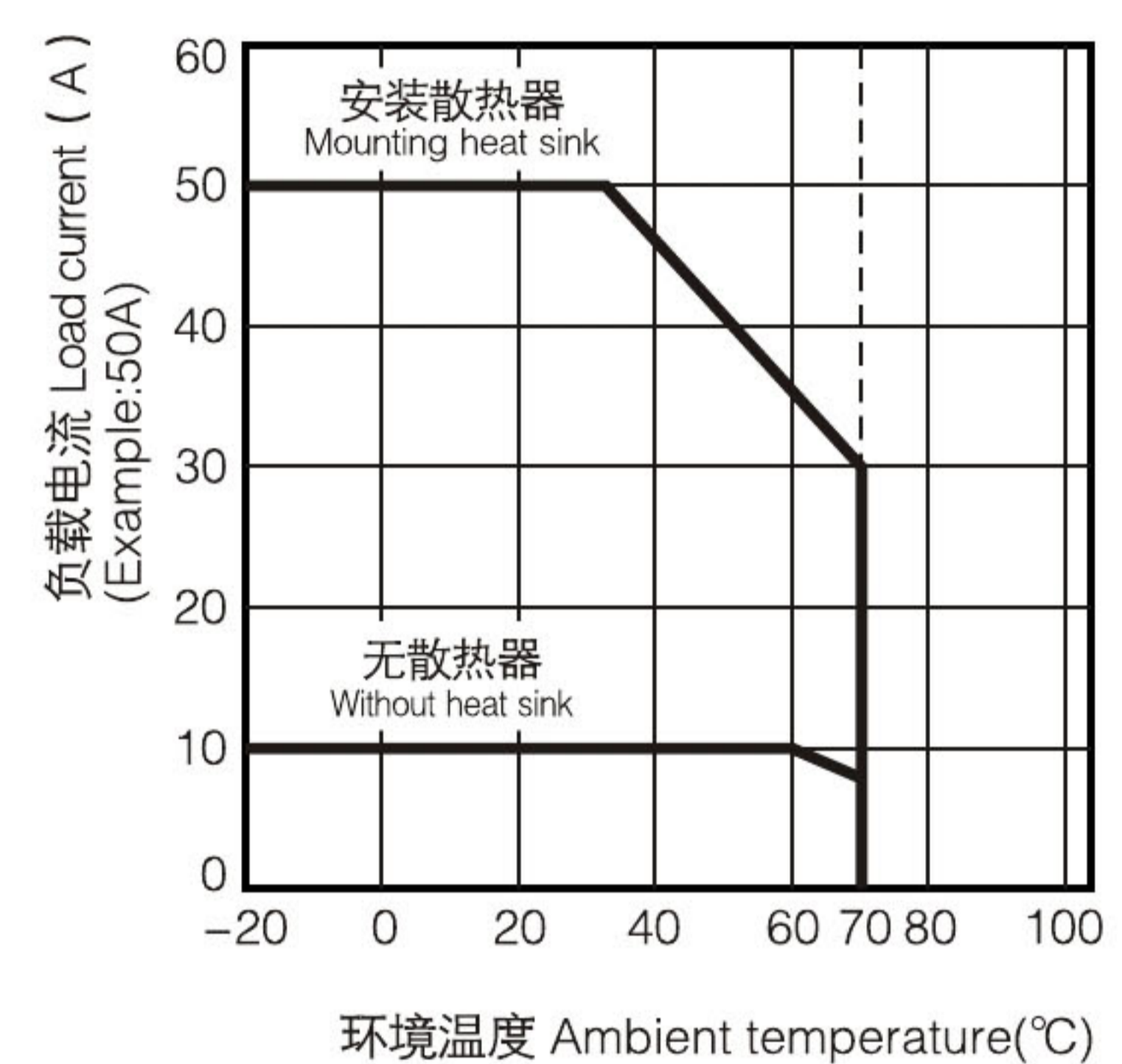
### Outshape dimensions & Connection Diagram

- 外形及安装尺寸图(单位: mm)  
Dimensions diagram of the Outshape and mount

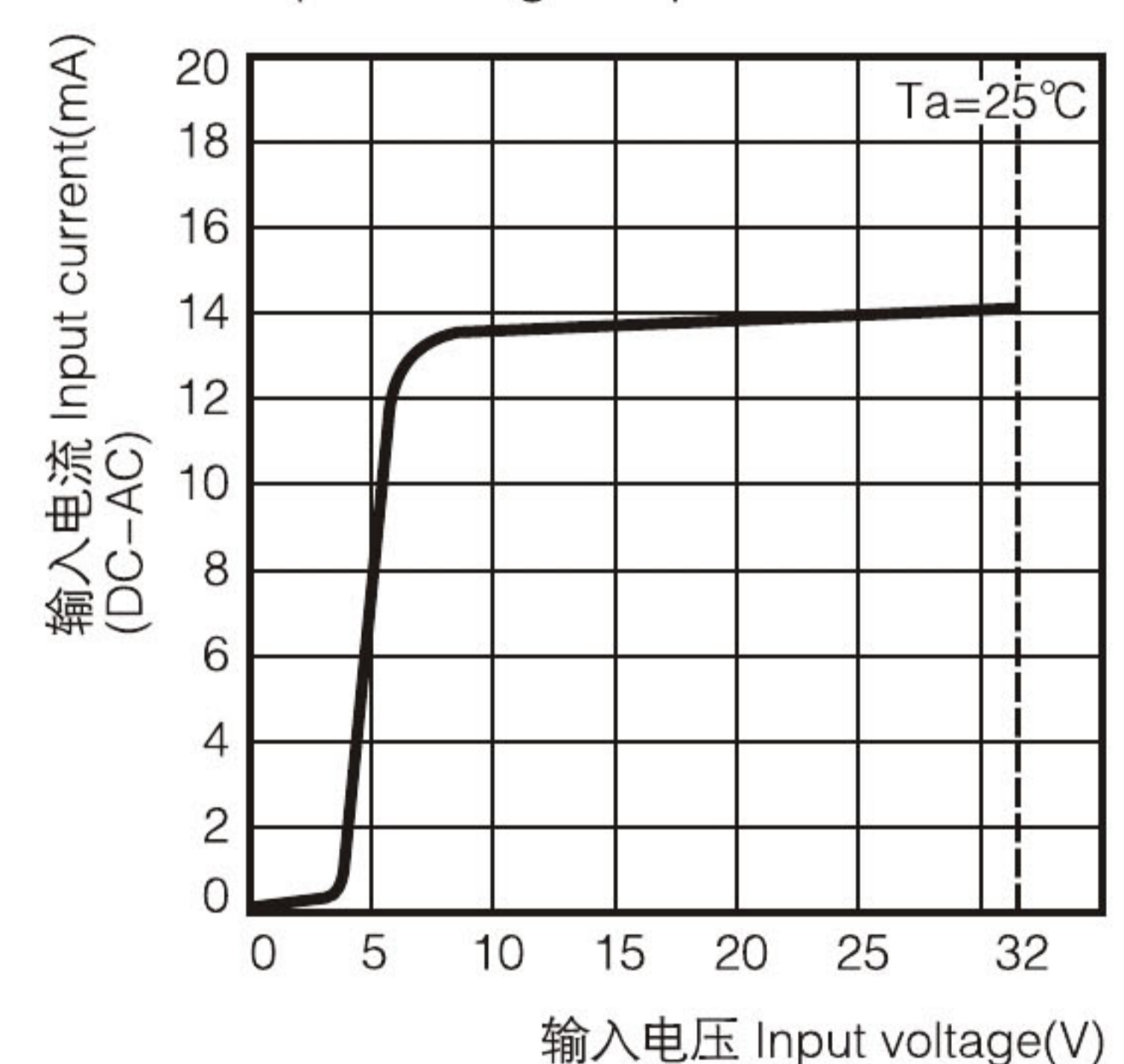


## 特性曲线 Characteristic curve

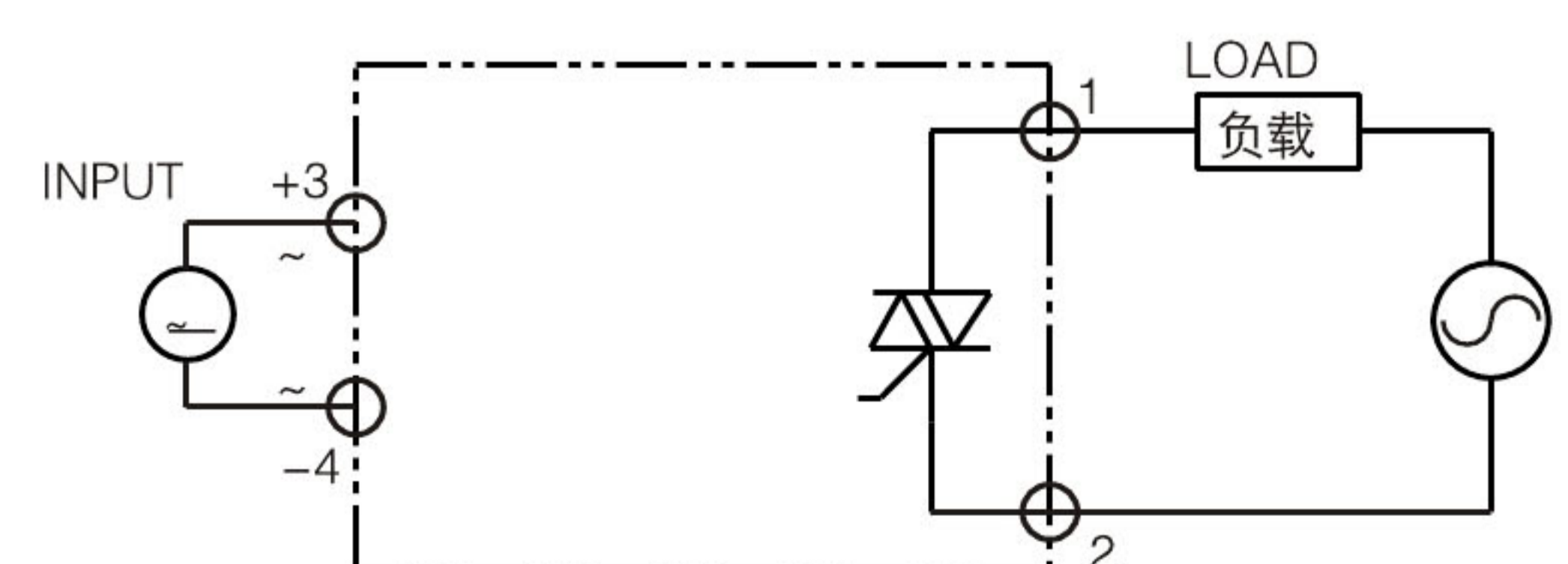
负载电流-环境温度  
Load current- Ambient temperature



输入电压-输入电流  
Input voltage-Input current



## 端子接线图 Connection Diagram



## □特点 Features

- 快速接插端子-卧式 小型交流固态继电器
- 双向可控硅常开输出
- DC-AC 直流信号控制交流负载
- 光电器件隔离
- 过零/随机触发形式
- SMD贴装工艺
- 内置RC吸收回路
- Quick connect terminal-Horizontal Type Mini AC Solid State Relay
- Triac NO output
- DC-AC DC signal control AC load
- Optoelectronic devices Isolation
- Zero crossing / Random Trigger Form
- SMD mount technology
- Built-in RC absorbing circuit

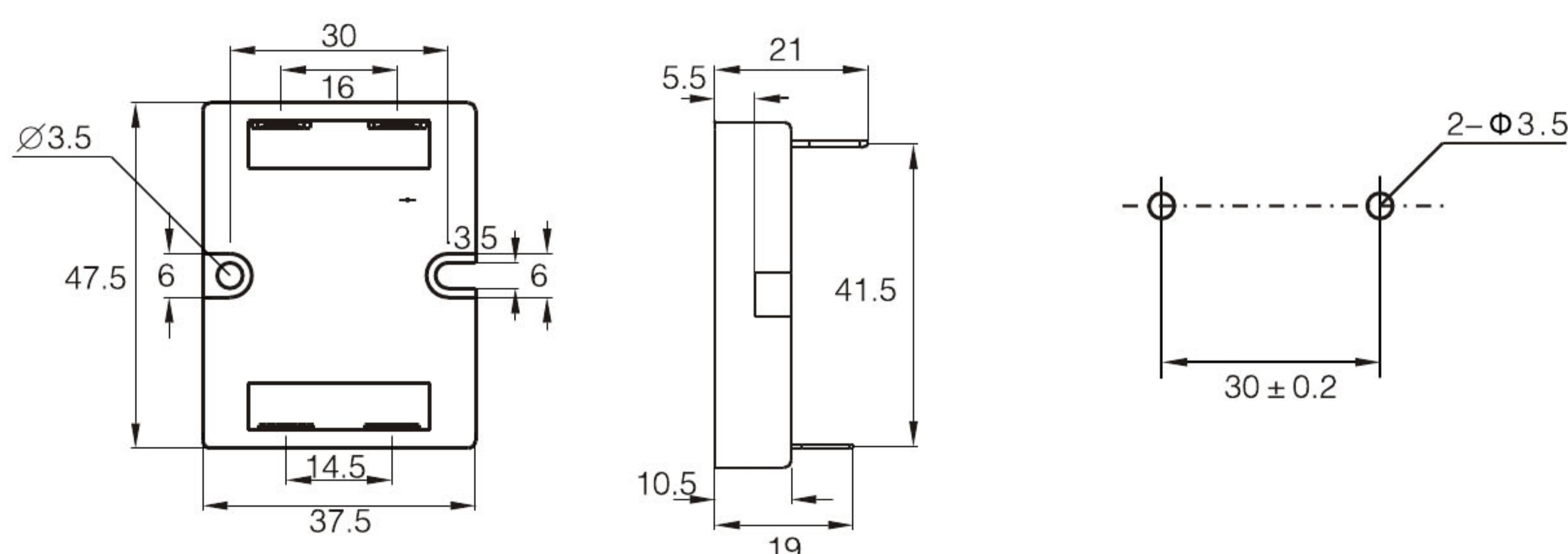
## □技术参数 Technical Specification

产品型号	Product model	XSSR-DA24□W7
控制电压	Control voltage	3-32VDC
控制电流	Control current	6-25mA
反向电压	Reverse voltage	32VDC
保证关闭电压	Guarantee close voltage	1VDC
保证开通电压	Guarantee open voltage	3VDC
负载电压	Load voltage	24-240VAC
负载最大电流	Load max current	5A-20A
负载最小电流	Load mini current	0.05A
通态压降	Breakover voltage	≤ 1.5VAC
输出漏电流	Output leakage current	≤ 3mA
介质耐压	Medium withstand voltage	≥ 2500VAC
绝缘电阻	Insulating resistance	≥ 100MΩ
开关时间	Switching time	≤ 10mS
频率范围	Frequency range	50-60Hz
工作温度	Operating temperature	-20-70°C
负载电流安全系数 load current safety factor		阻性负载取(resistive load)50-60% 感性负载取(inductive load)30-40%

## □外形尺寸及接线图

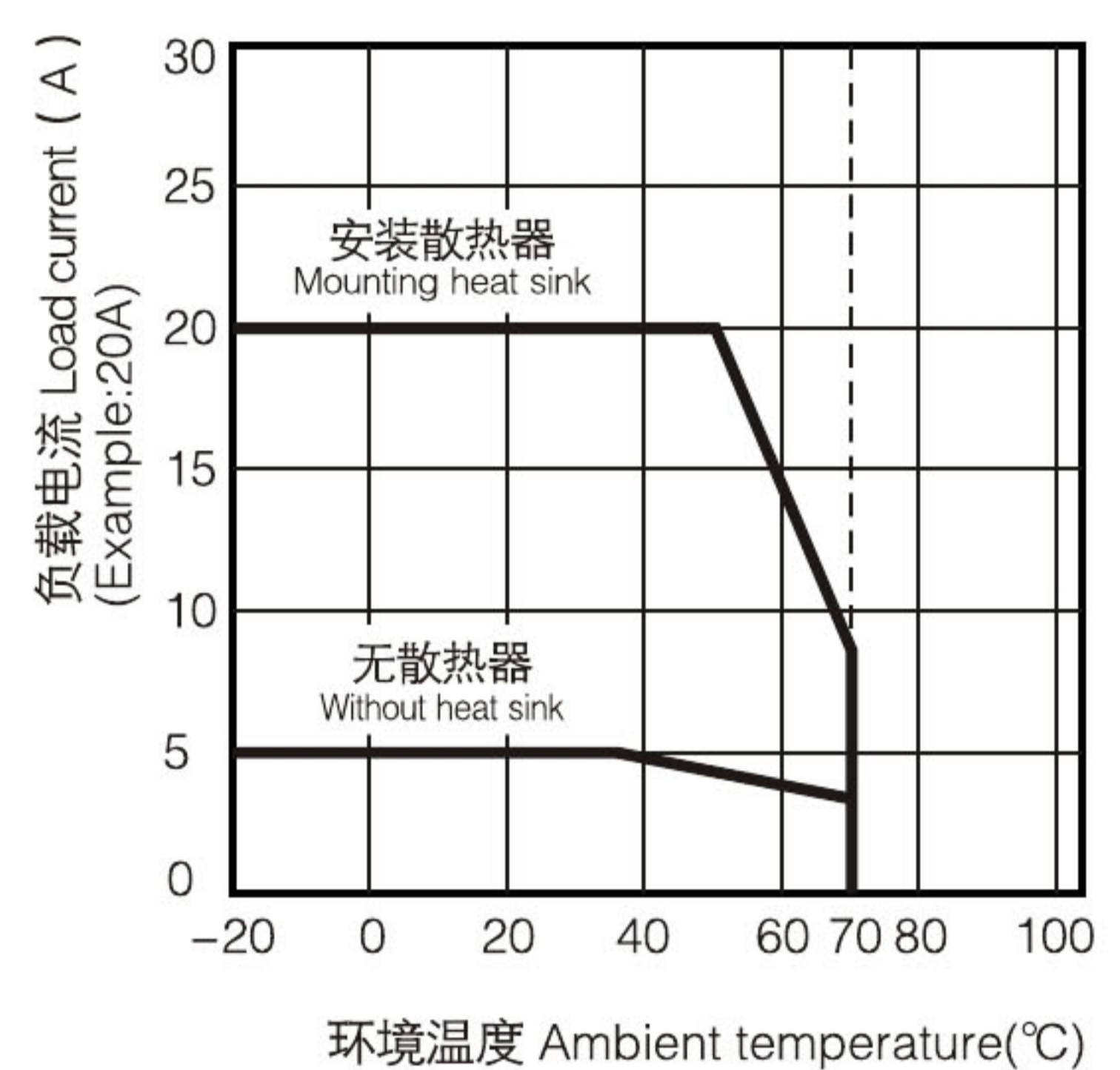
### Outshape dimensions & Connection Diagram

- 外形及安装尺寸图(单位: mm)  
Dimensions diagram of the Outshape and mount

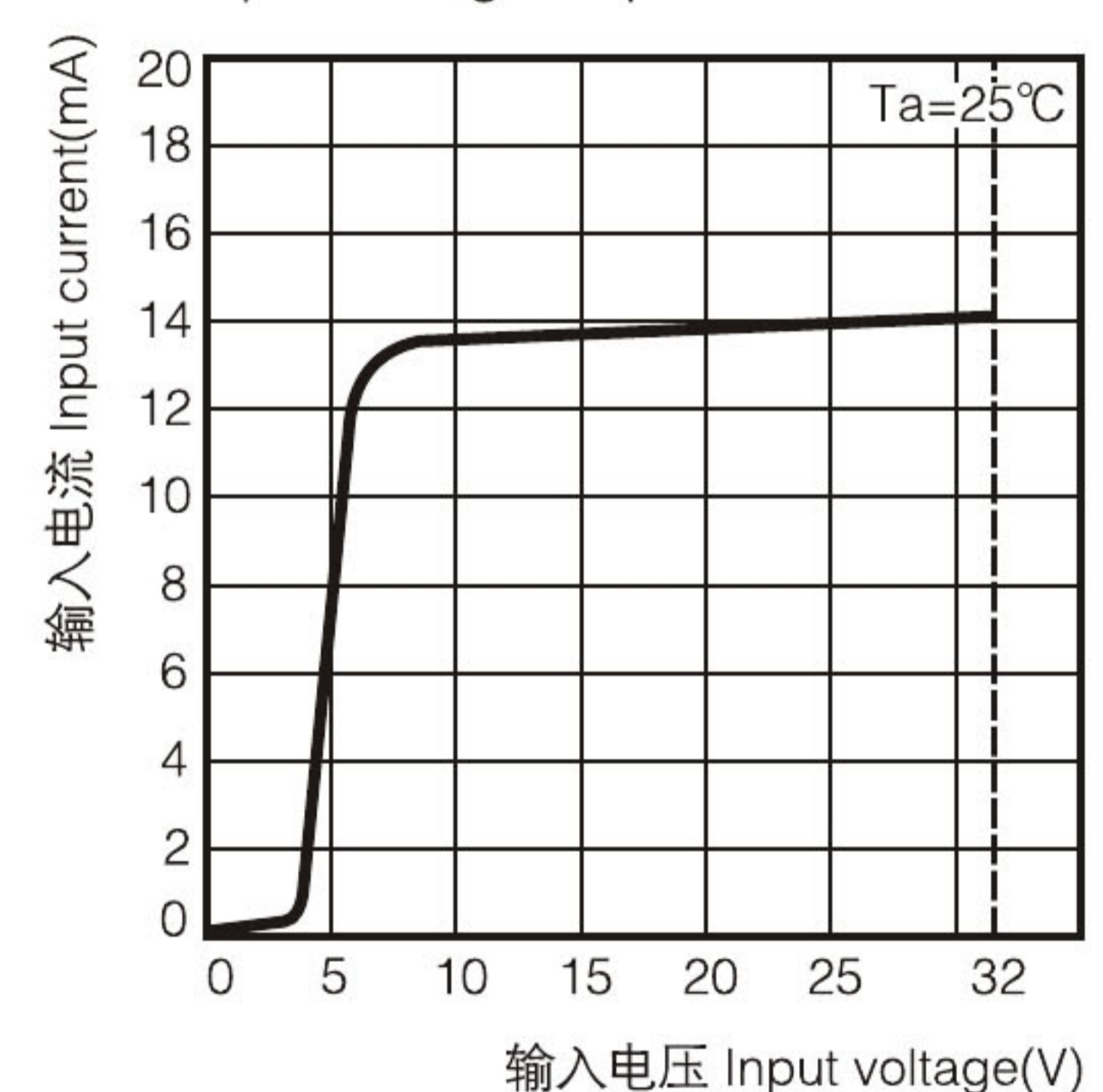


## □特性曲线 Characteristic curve

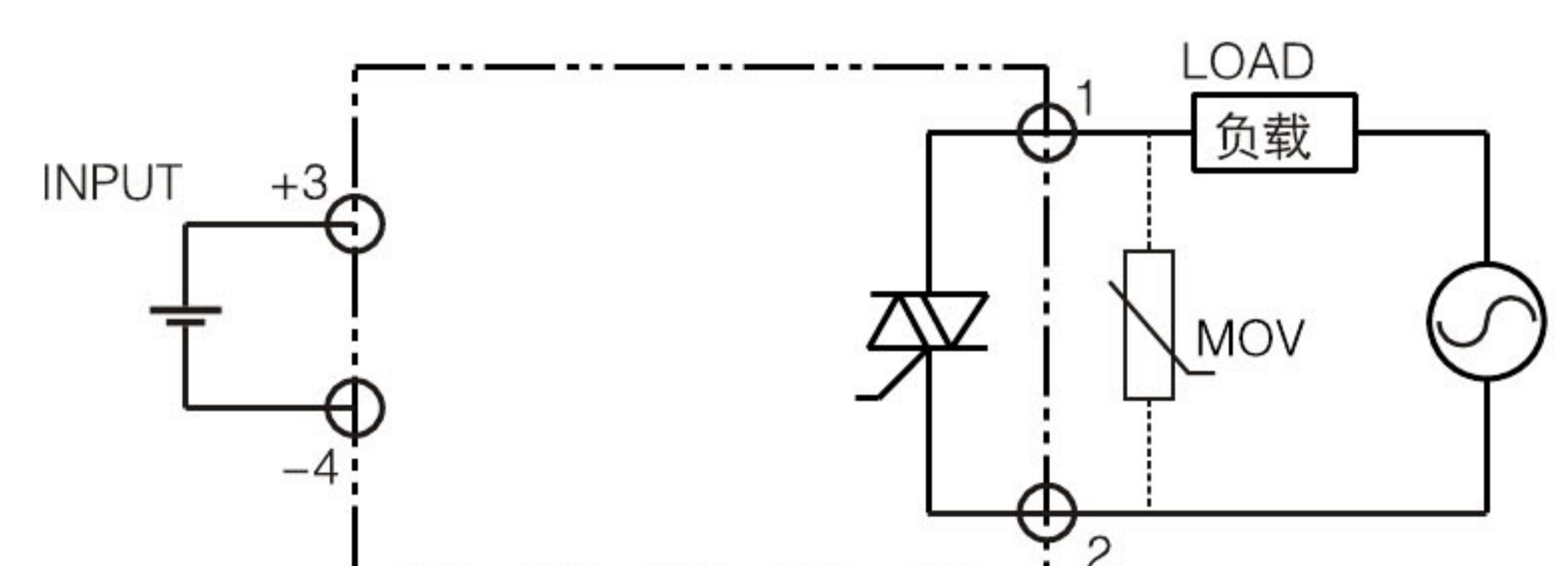
负载电流-环境温度  
Load current- Ambient temperature



输入电压-输入电流  
Input voltage-Input current



## • 端子接线图 Connection Diagram



### 特点 Features

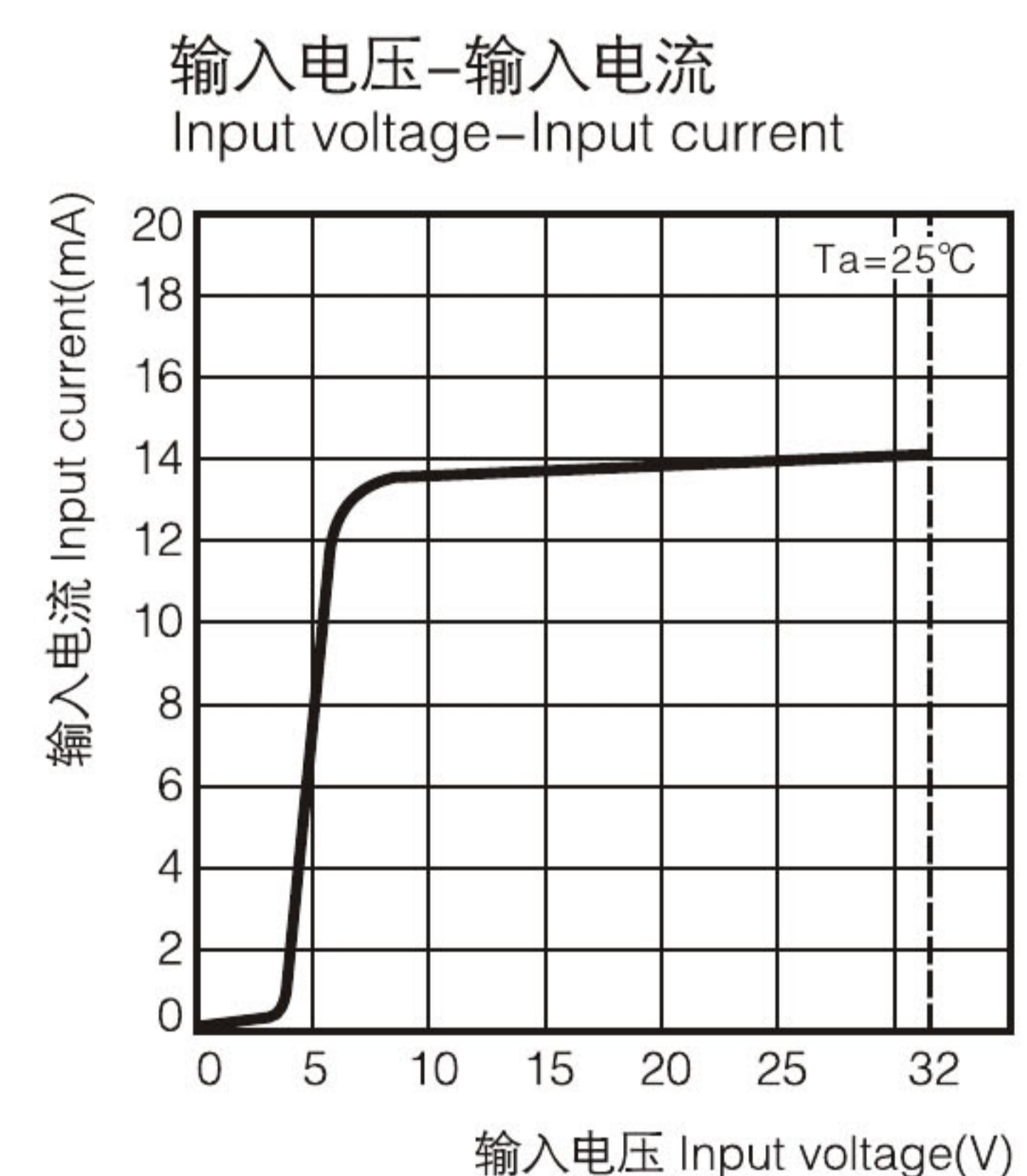
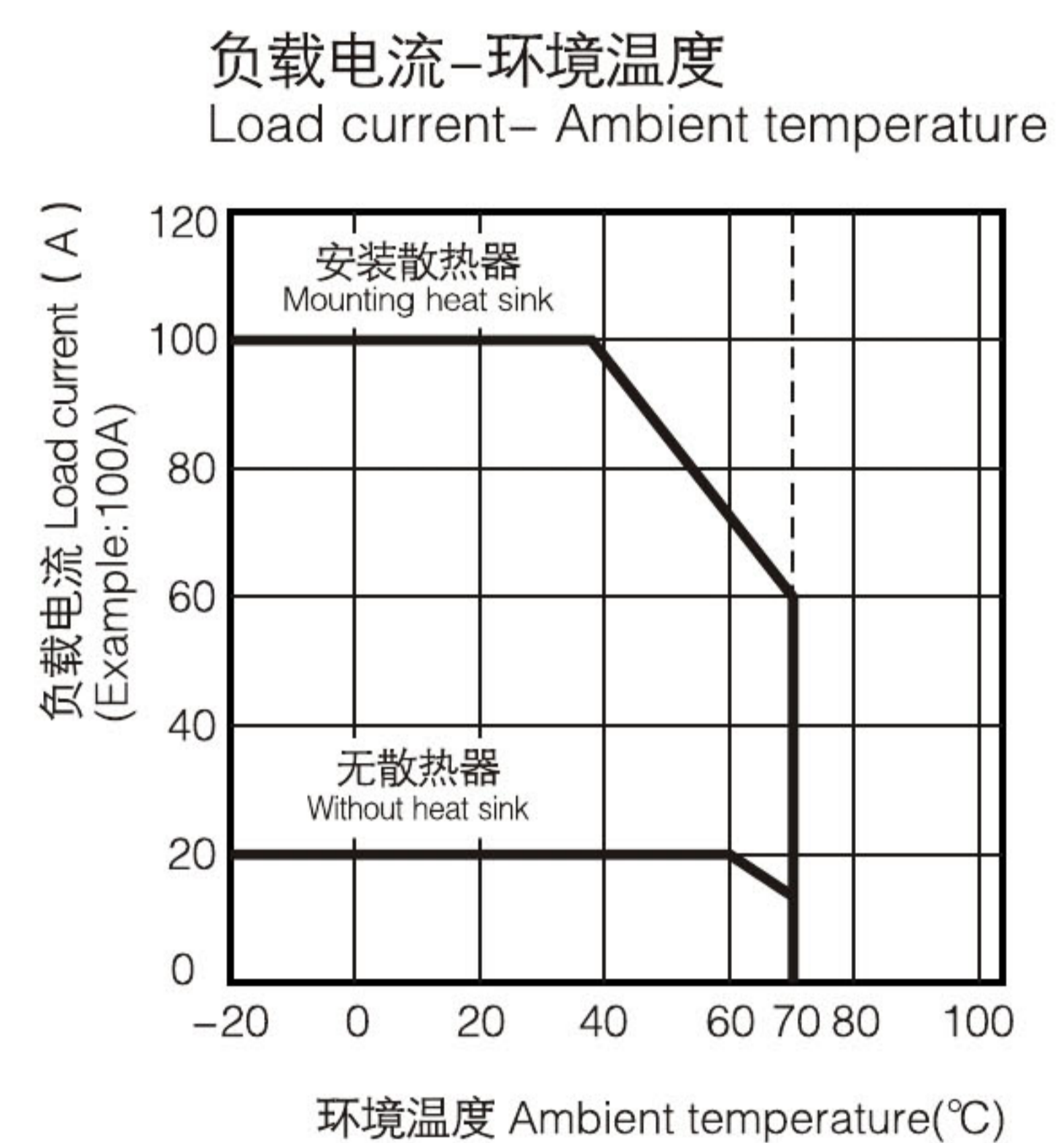
- 螺栓安装-模块式 单相交流固态继电器
  - 单向可控硅芯片反并联 常开输出
  - DC-AC 直流信号控制交流负载
  - 光电器件隔离
  - 过零/随机触发形式
  - 内置RC吸收回路
  - LED 指示工作状态
- Bolt Installation-Module Type Single AC Solid State Relay
  - One-way SCR chip antiparallel NO output
  - DC-AC DC signal control AC load
  - Optoelectronic devices Isolation
  - Zero crossing / Random Trigger Form
  - Built-in RC absorbing circuit
  - LED Status Indicator



### 技术参数 Technical Specification

产品型号	Product model	XSSR-DA48□M1
控制电压	Control voltage	3-32VDC
控制电流	Control current	6-25mA
反向电压	Reverse voltage	32VDC
保证关闭电压	Guarantee close voltage	1VDC
保证开通电压	Guarantee open voltage	3VDC
负载电压	Load voltage	75-480VAC
负载最大电流	Load max current	60A-200A
负载最小电流	Load mini current	0.1A
通态压降	Breakover voltage	≤2VAC
输出漏电流	Output leakage current	≤8mA
介质耐压	Medium withstand voltage	≥2500VAC
绝缘电阻	Insulating resistance	≥100MΩ
开关时间	Switching time	≤10mS
频率范围	Frequency range	50-60Hz
工作温度	Operating temperature	-20-70℃
负载电流安全系数	load current safety factor	阻性负载取(resistive load)50-60% 感性负载取(inductive load)30-40%

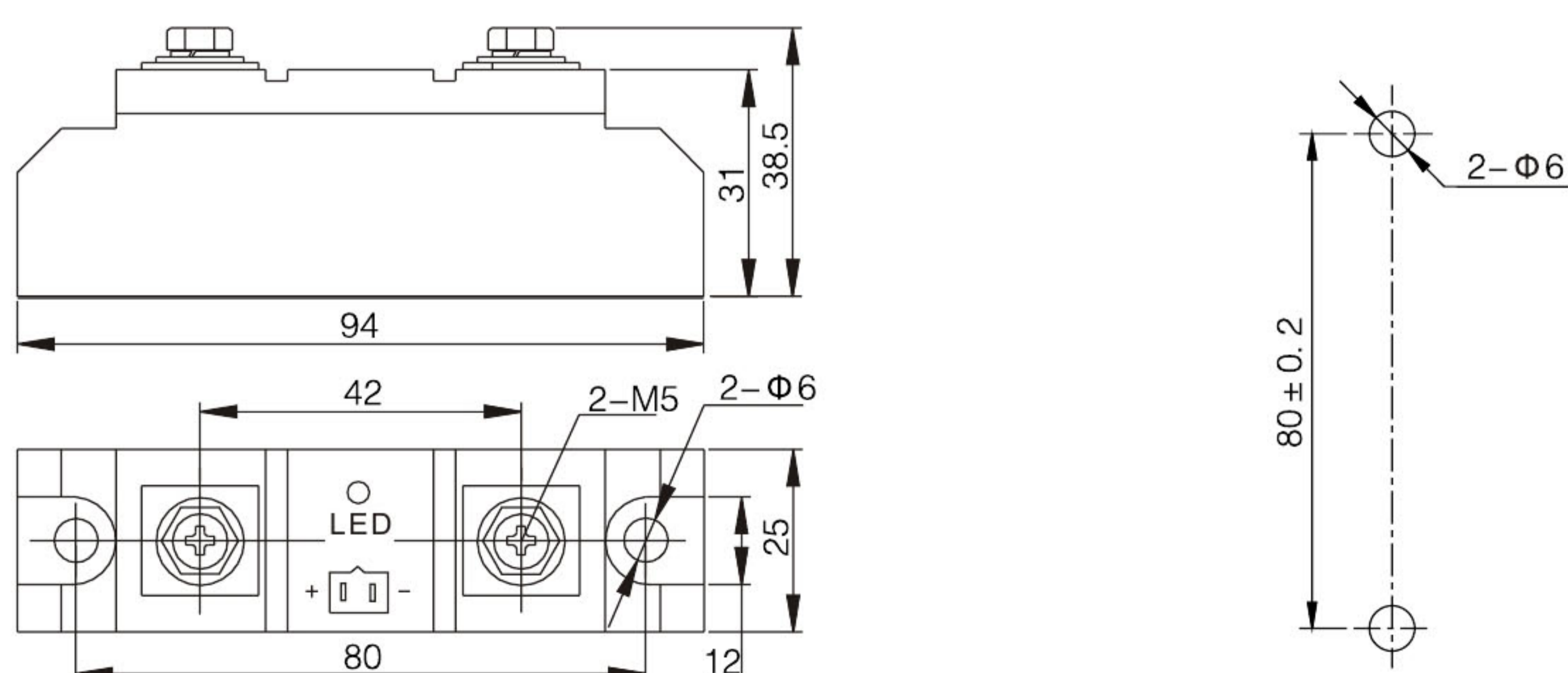
### 特性曲线 Characteristic curve



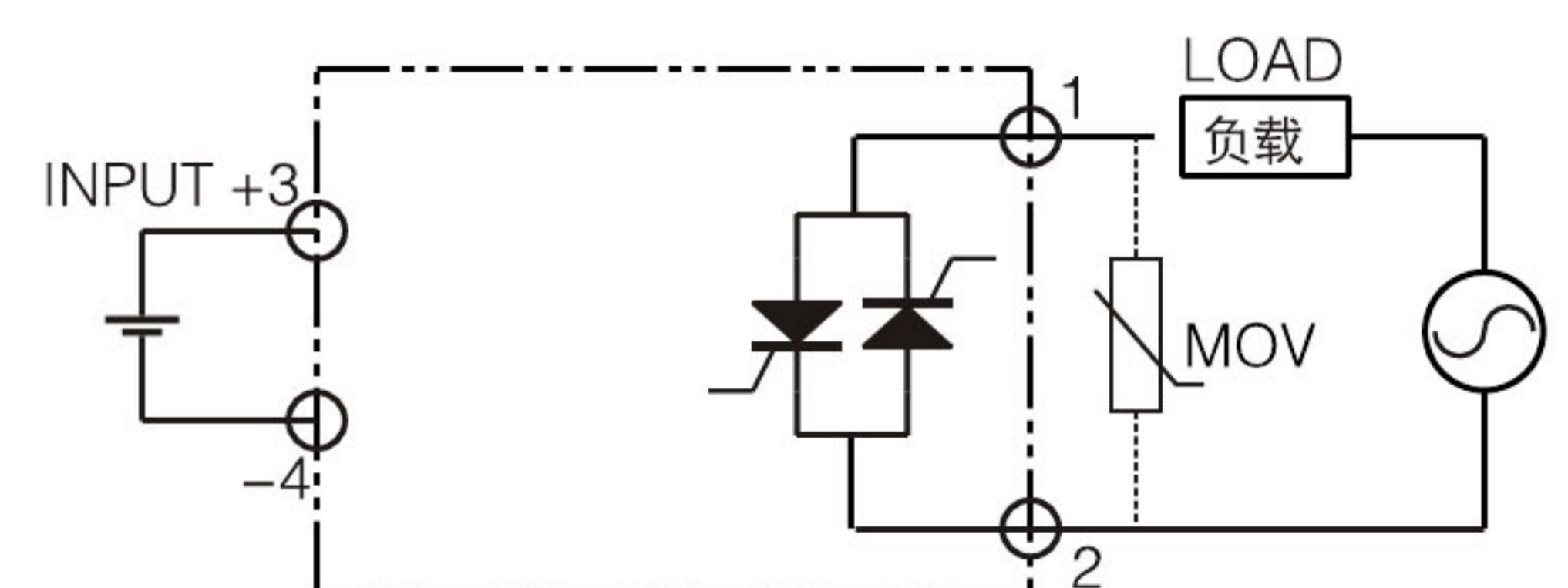
### 外形尺寸及接线图

#### Outshape dimensions & Connection Diagram

- 外形及安装尺寸图(单位: mm)  
Dimensions diagram of the Outshape and mount



#### 端子接线图 Connection Diagram



## 特点 Features

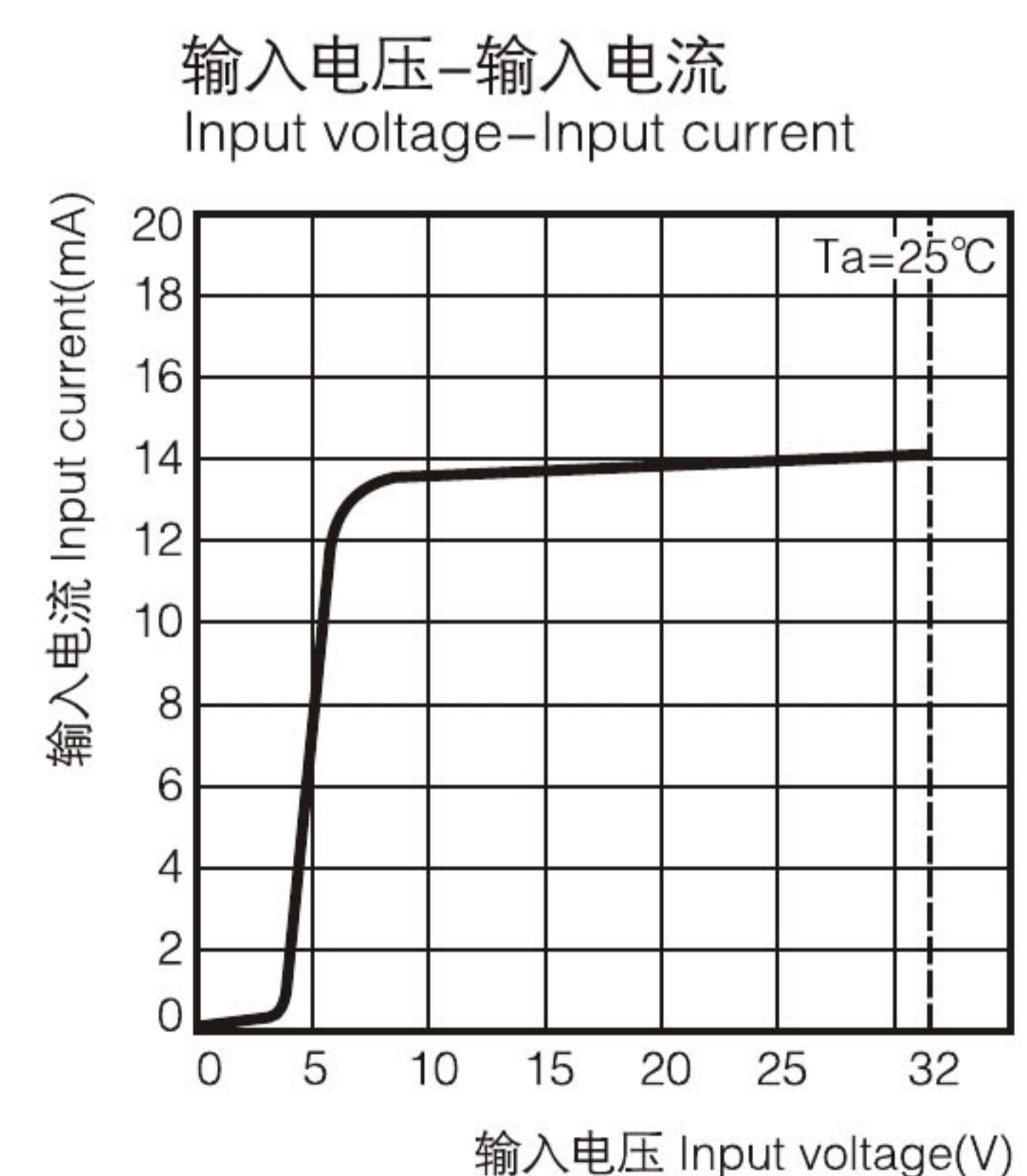
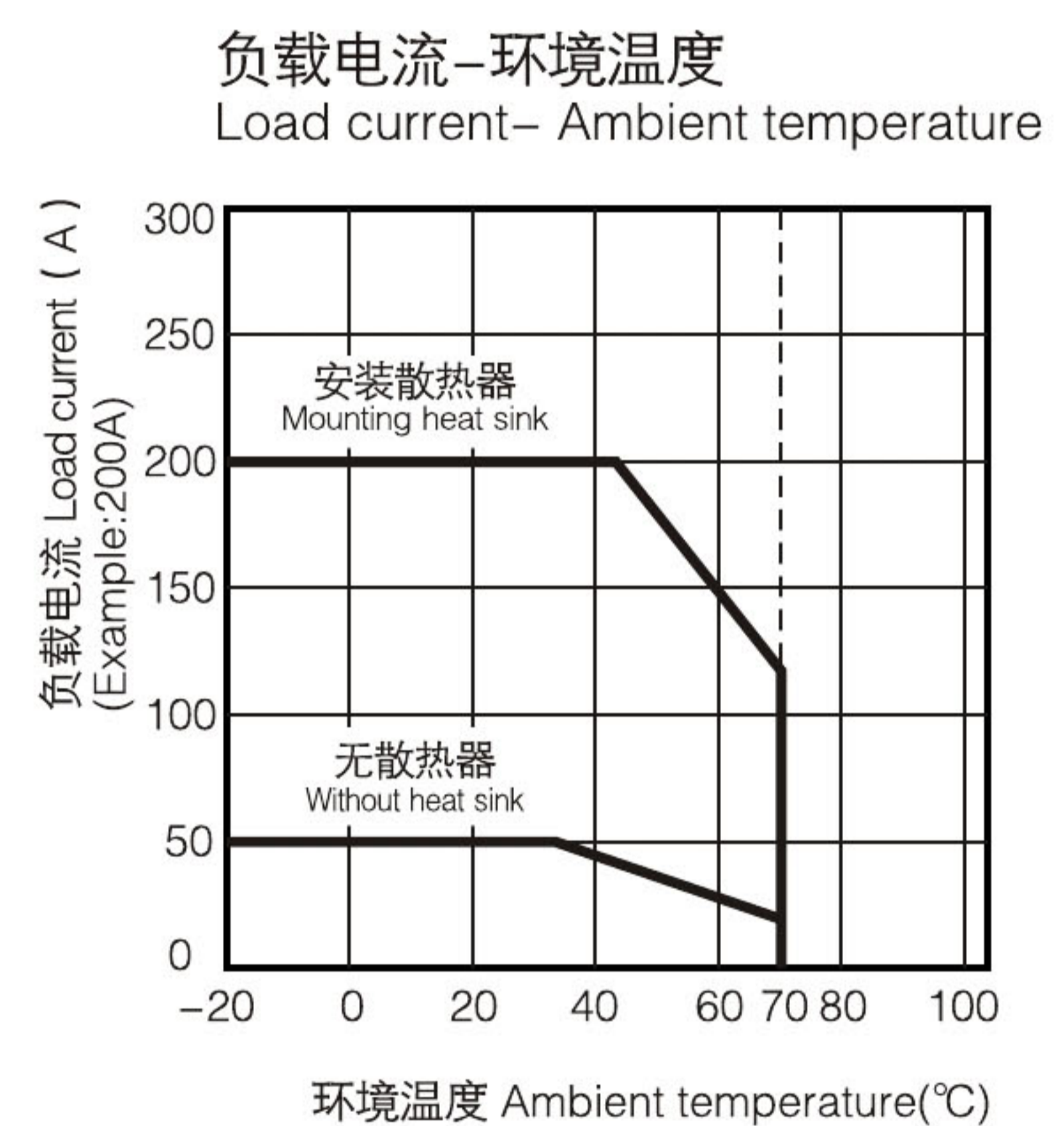
- 螺栓安装-模块式 单相交流固态继电器
  - 单向可控硅芯片反并联 常开输出
  - DC-AC 直流信号控制交流负载
  - 光电器件隔离
  - 过零/随机触发形式
  - 内置RC吸收回路
  - LED 指示工作状态
- Bolt Installation-Module Type Single AC Solid State Relay
  - One-way SCR chip antiparallel NO output
  - DC-AC DC signal control AC load
  - Optoelectronic devices Isolation
  - Zero crossing / Random Trigger Form
  - Built-in RC absorbing circuit
  - LED Status Indicator



## 技术参数 Technical Specification

产品型号	Product model	XSSR-DA48□M2
控制电压	Control voltage	3-32VDC
控制电流	Control current	6-25mA
反向电压	Reverse voltage	32VDC
保证关闭电压	Guarantee close voltage	1VDC
保证开通电压	Guarantee open voltage	3VDC
负载电压	Load voltage	75-480VAC
负载最大电流	Load max current	160A-300A
负载最小电流	Load mini current	0.2A
通态压降	Breakover voltage	≤2VAC
输出漏电流	Output leakage current	≤8mA
介质耐压	Medium withstand voltage	≥2500VAC
绝缘电阻	Insulating resistance	≥100MΩ
开关时间	Switching time	≤10mS
频率范围	Frequency range	50-60Hz
工作温度	Operating temperature	-20-70℃
负载电流安全系数 load current safety factor		阻性负载取(resistive load)50-60% 感性负载取(inductive load)30-40%

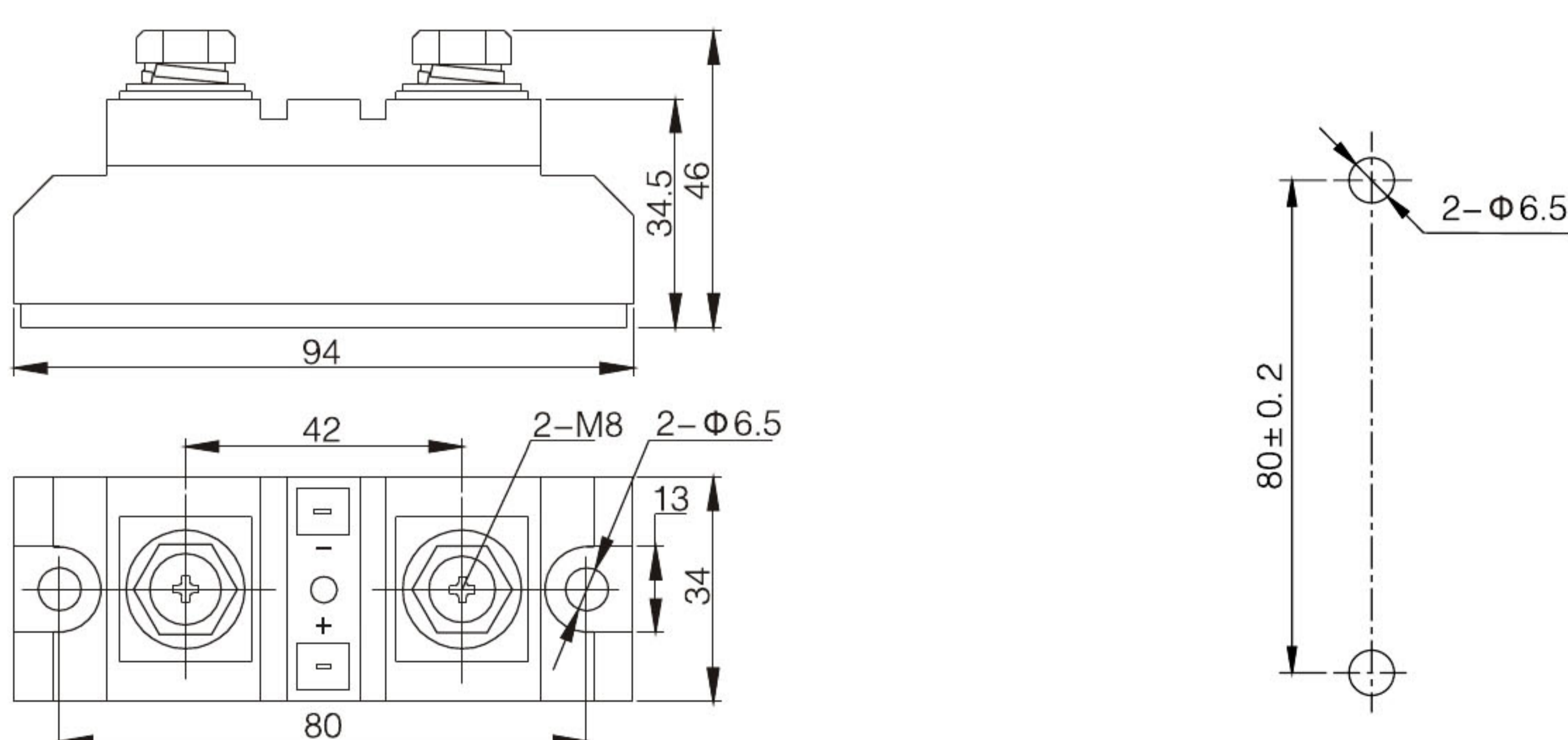
## 特性曲线 Characteristic curve



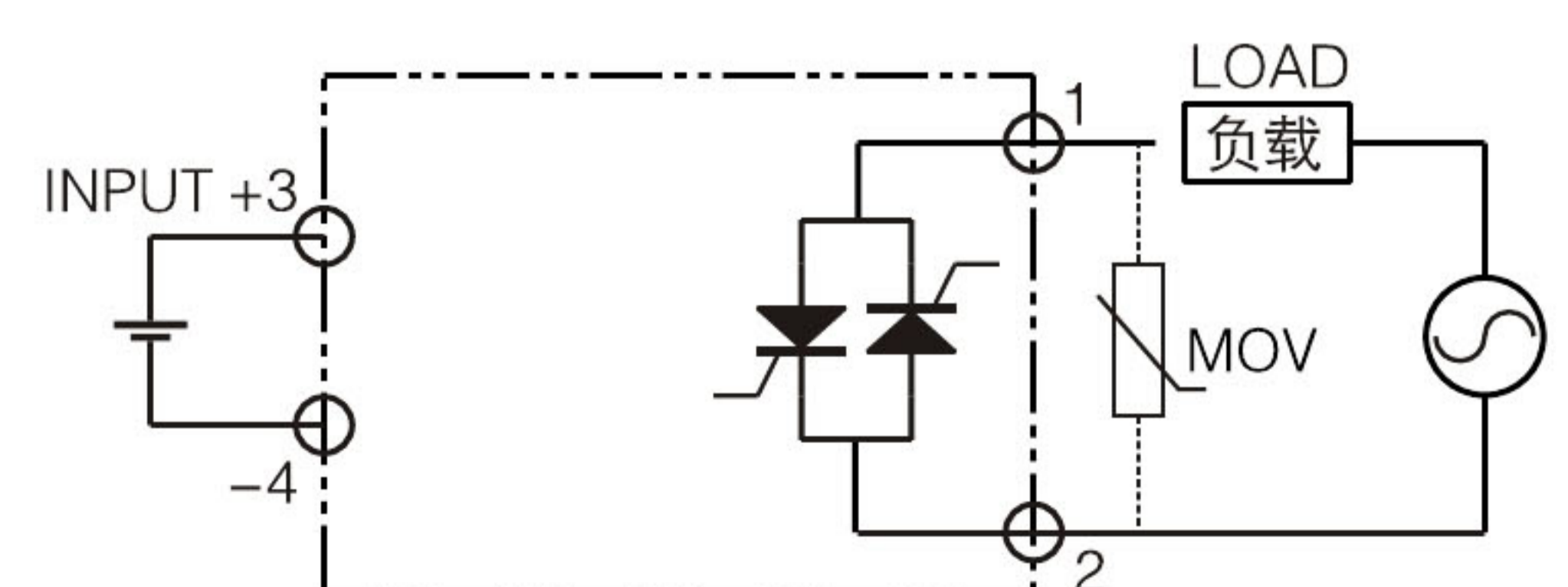
## 外形尺寸及接线图

### Outshape dimensions & Connection Diagram

- 外形及安装尺寸图(单位: mm)  
Dimensions diagram of the Outshape and mount



### 端子接线图 Connection Diagram





## 特点 Features

- 螺栓安装-模块式 单相交流固态继电器
  - 单向可控硅芯片反并联 常开输出
  - DC-AC 直流信号控制交流负载
  - 光电器件隔离
  - 过零/随机触发形式
  - 内置RC吸收回路
  - LED 指示工作状态
- Bolt Installation-Module Type Single AC Solid State Relay
  - One-way SCR chip antiparallel NO output
  - DC-AC DC signal control AC load
  - Optoelectronic devices Isolation
  - Zero crossing / Random Trigger Form
  - Built-in RC absorbing circuit
  - LED Status Indicator



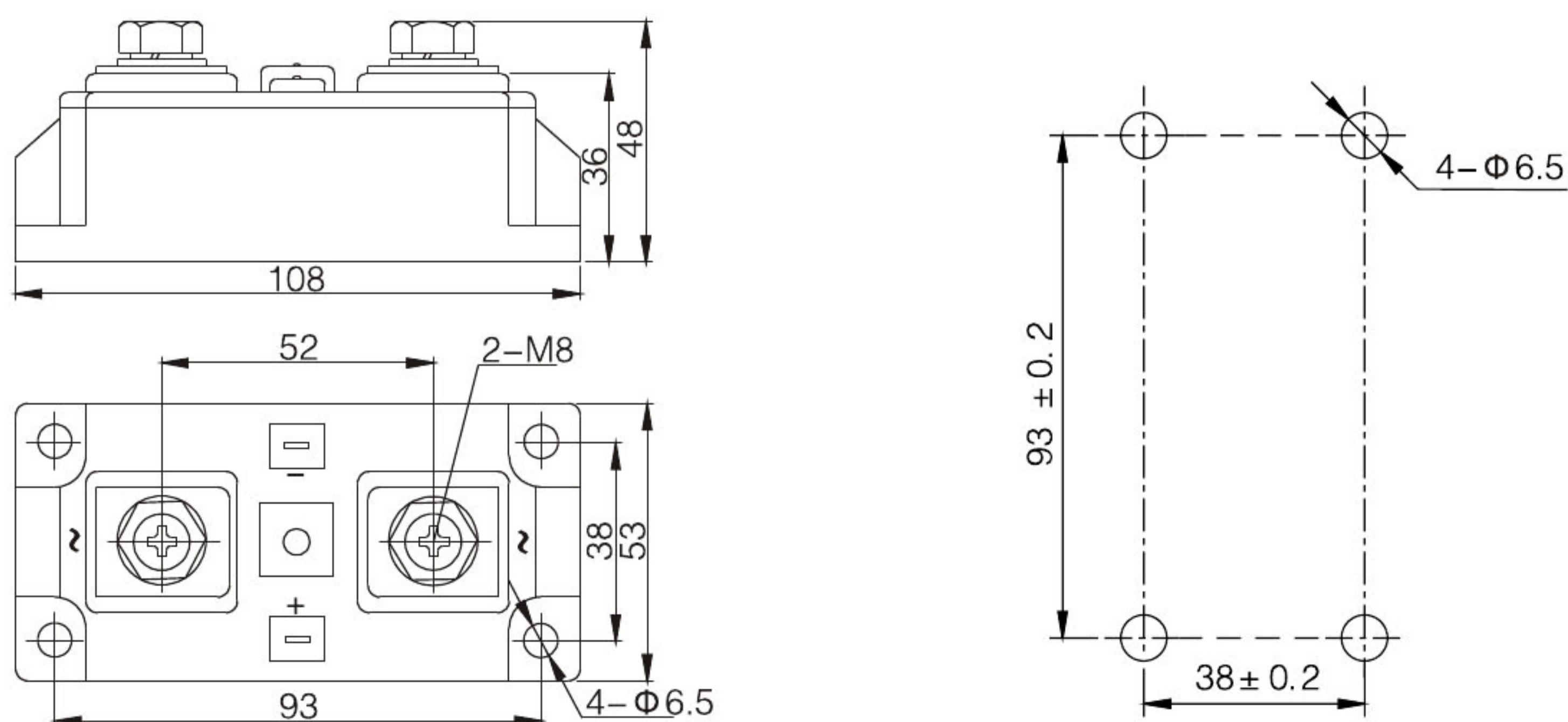
## 技术参数 Technical Specification

产品型号	Product model	XSSR-DA48□M3
控制电压	Control voltage	3-32VDC
控制电流	Control current	6-25mA
反向电压	Reverse voltage	32VDC
保证关闭电压	Guarantee close voltage	1VDC
保证开通电压	Guarantee open voltage	3VDC
负载电压	Load voltage	75-480VAC
负载最大电流	Load max current	300A-400A
负载最小电流	Load mini current	0.2A
通态压降	Breakover voltage	≤2VAC
输出漏电流	Output leakage current	≤8mA
介质耐压	Medium withstand voltage	≥2500VAC
绝缘电阻	Insulating resistance	≥100MΩ
开关时间	Switching time	≤10mS
频率范围	Frequency range	50-60Hz
工作温度	Operating temperature	-20-70℃
负载电流安全系数 load current safety factor		阻性负载取(resistive load)50-60% 感性负载取(inductive load)30-40%

## 外形尺寸及接线图

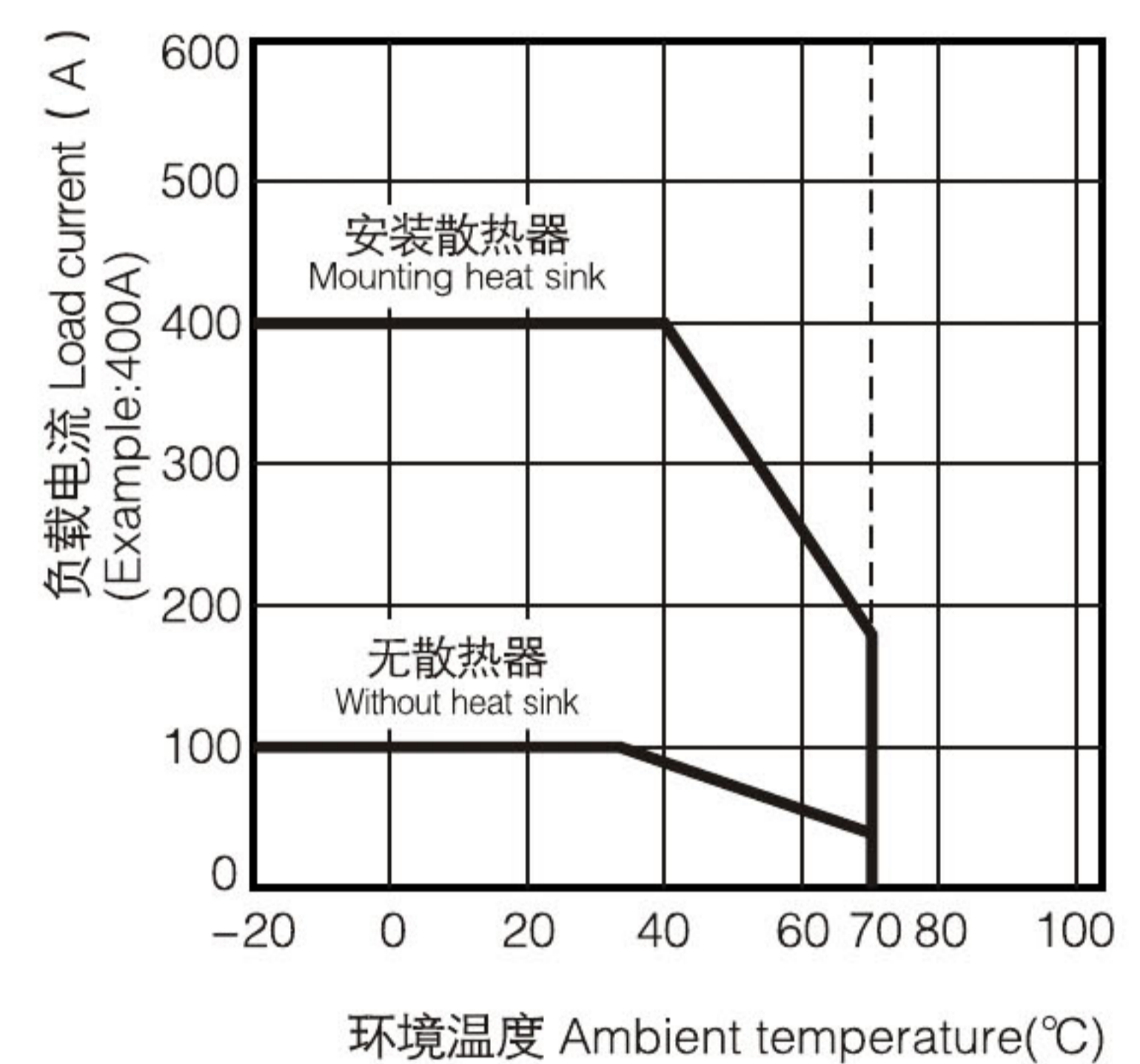
### Outshape dimensions & Connection Diagram

- 外形及安装尺寸图(单位: mm)  
Dimensions diagram of the Outshape and mount

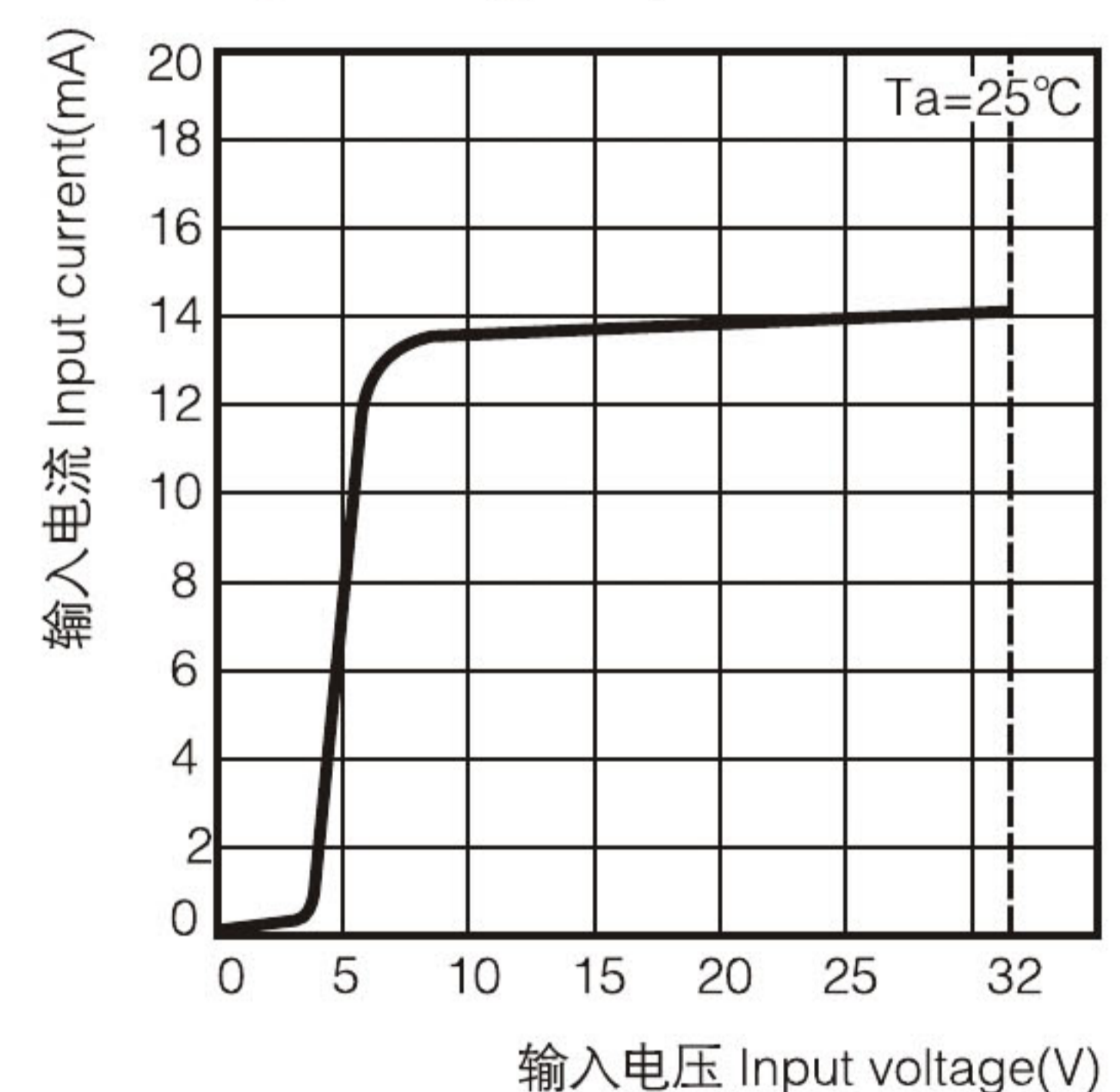


## 特性曲线 Characteristic curve

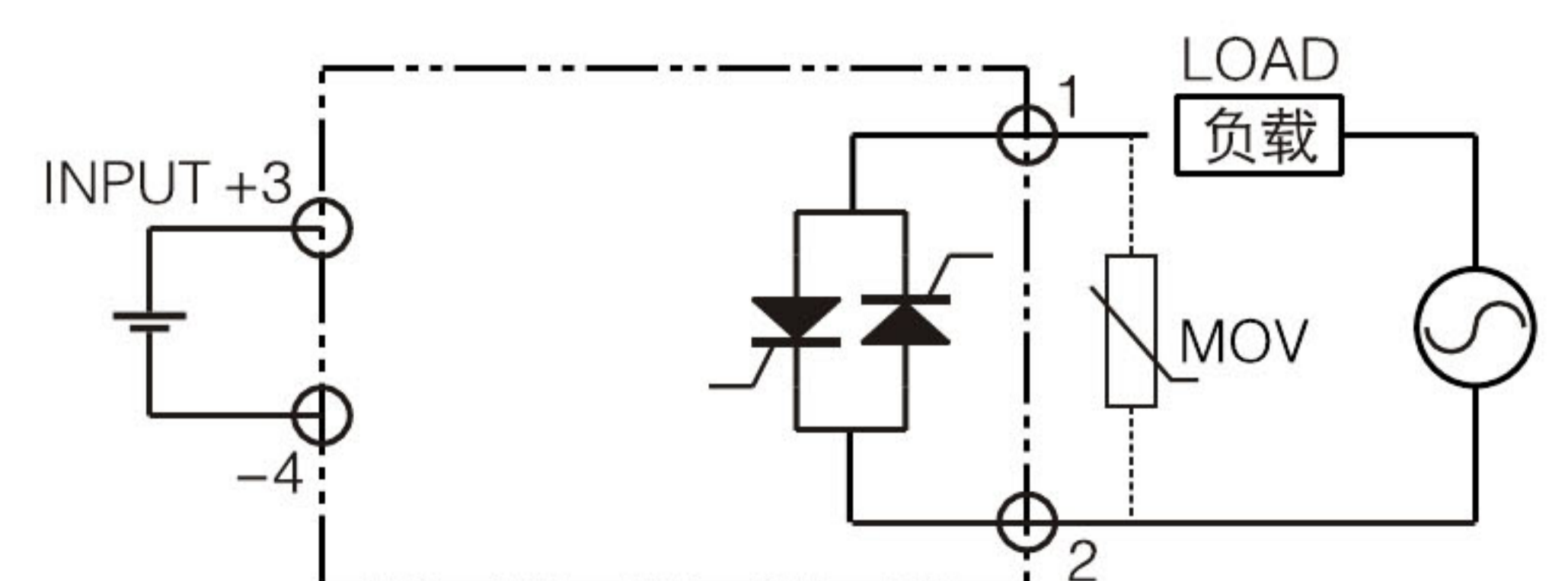
负载电流-环境温度  
Load current- Ambient temperature



输入电压-输入电流  
Input voltage-Input current



### 端子接线图 Connection Diagram



## □特点 Features

- 螺栓安装-模块式 大功率交流固态继电器
- 单向压接式可控硅芯片反并联 常开输出
- DC-AC 直流信号控制交流负载
- 光电器件隔离
- 过零/随机触发形式
- Bolt Installation-Module Type High Power AC Solid State Relay
- One-way crimp SCR chip antiparallel NO output
- DC-AC DC signal control AC load
- Optoelectronic devices Isolation
- Zero crossing / Random Trigger Form

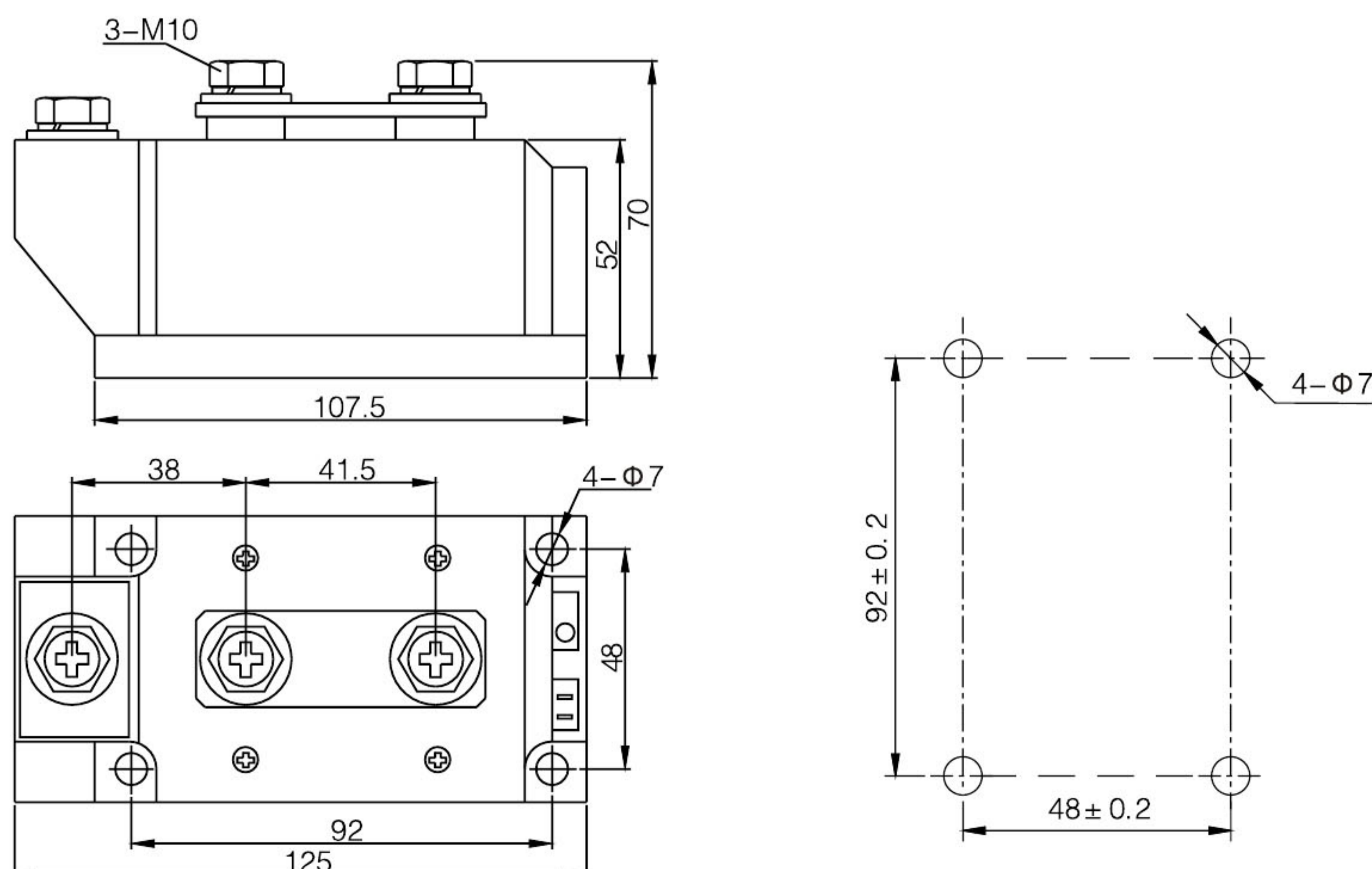
## □技术参数 Technical Specification

产品型号	Product model	XSSR-DA48□M4
控制电压	Control voltage	3-32VDC
控制电流	Control current	6-25mA
反向电压	Reverse voltage	32VDC
保证关闭电压	Guarantee close voltage	1VDC
保证开通电压	Guarantee open voltage	3VDC
负载电压	Load voltage	75-480VAC
负载最大电流	Load max current	400A-500A
负载最小电流	Load mini current	0.3A
通态压降	Breakover voltage	≤3VAC
输出漏电流	Output leakage current	≤1mA
介质耐压	Medium withstand voltage	≥2500VAC
绝缘电阻	Insulating resistance	≥100MΩ
开关时间	Switching time	≤10mS
频率范围	Frequency range	50-60Hz
工作温度	Operating temperature	-20-70°C
负载电流安全系数 load current safety factor		阻性负载取(resistive load)50-60% 感性负载取(inductive load)30-40%

## □外形尺寸及接线图

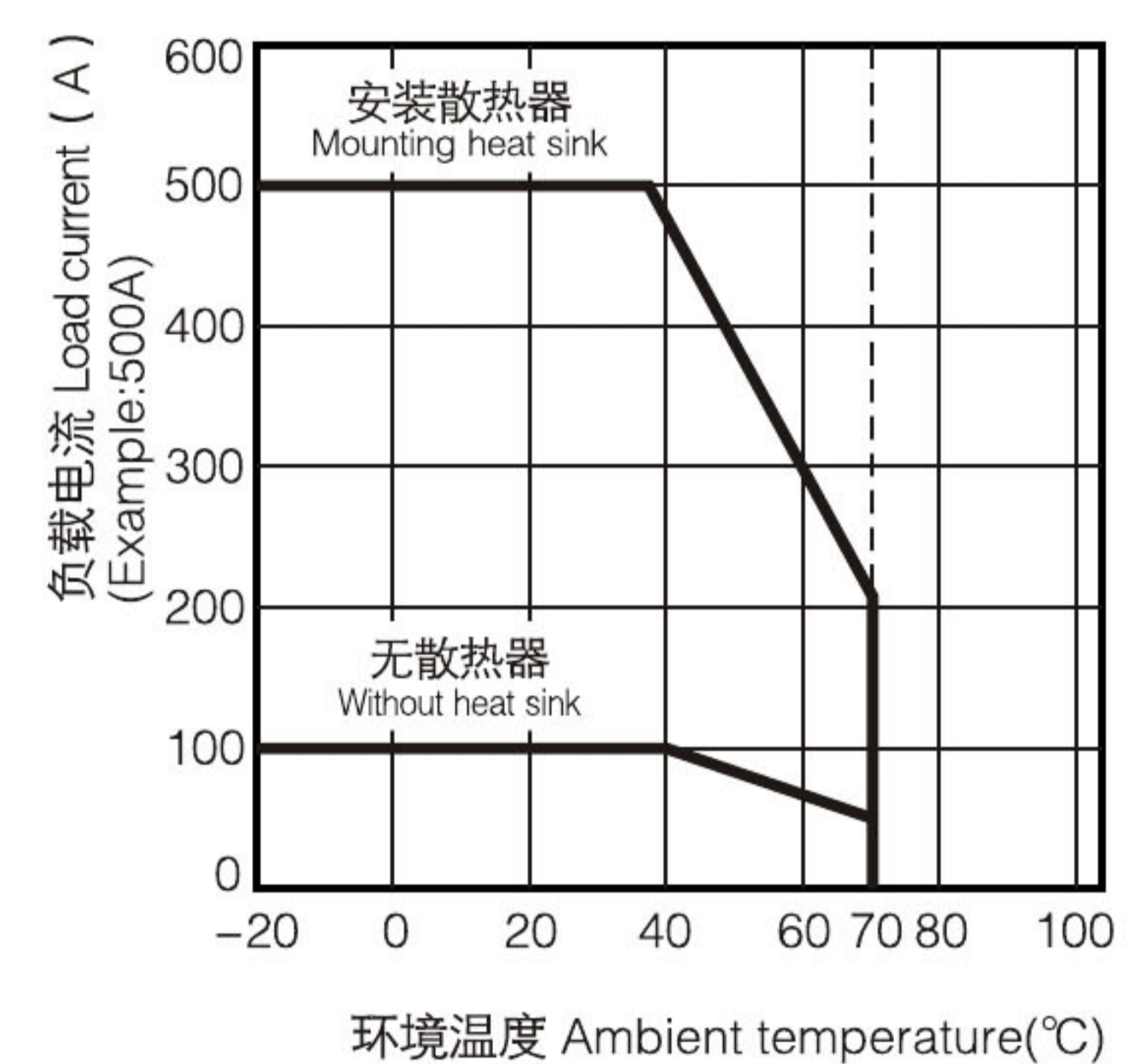
### Outshape dimensions & Connection Diagram

- 外形及安装尺寸图(单位: mm)  
Dimensions diagram of the Outshape and mount

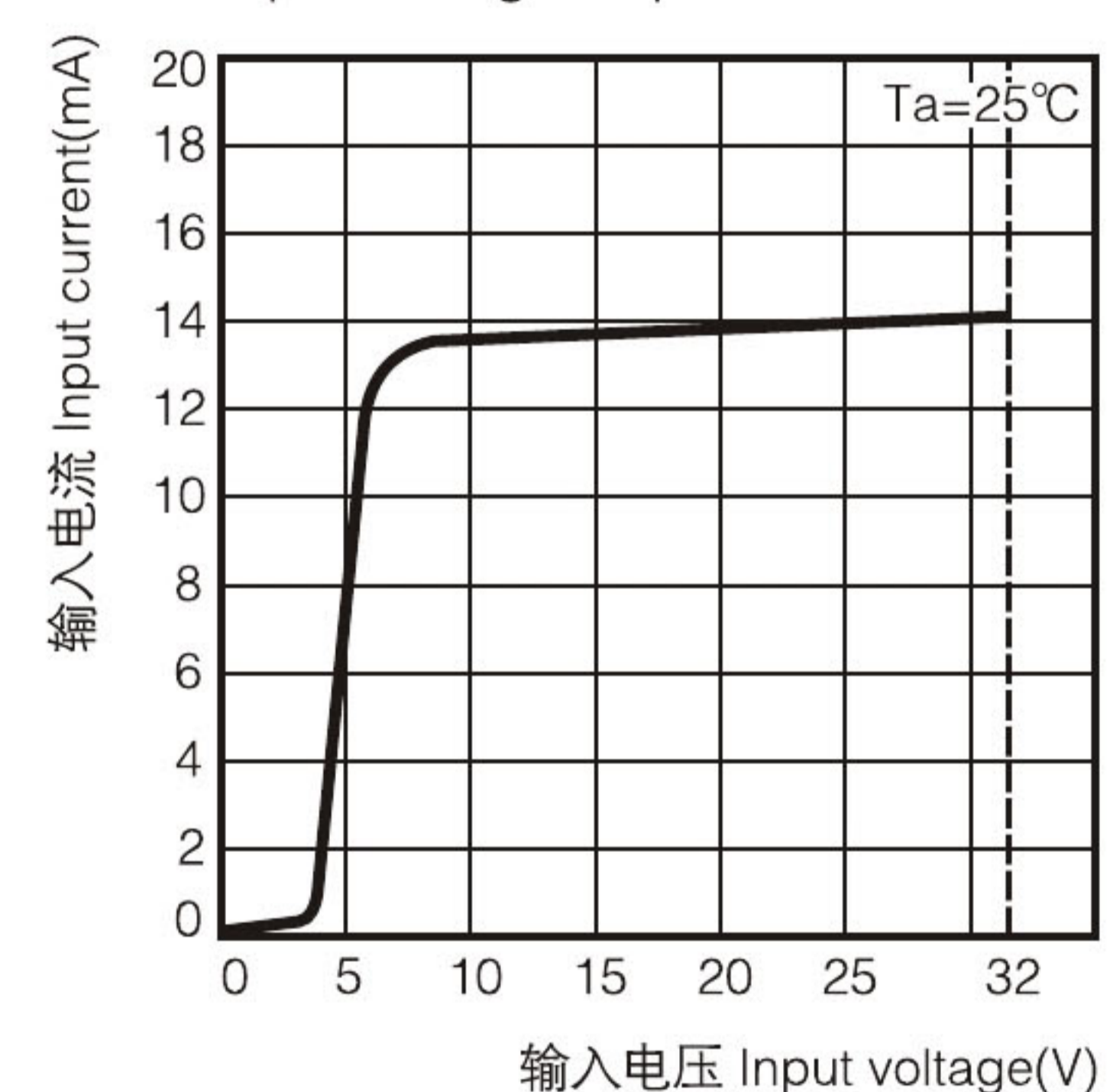


## □特性曲线 Characteristic curve

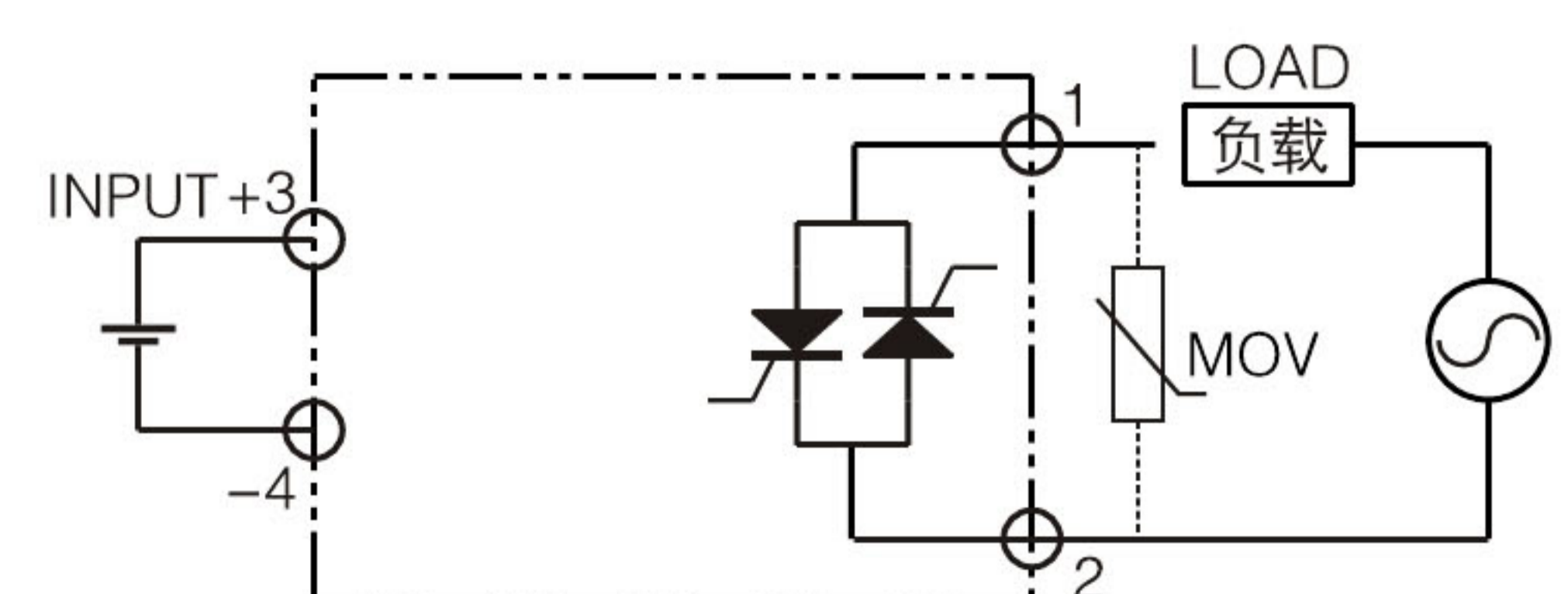
负载电流-环境温度  
Load current- Ambient temperature



输入电压-输入电流  
Input voltage-Input current



## • 端子接线图 Connection Diagram



## □特点 Features

- 螺栓安装-模块式 大功率交流固态继电器  
单向压接式可控硅芯片反并联 常开输出  
DC-AC 直流信号控制交流负载  
光电器件隔离  
过零/随机触发形式
- Bolt Installation-Module Type High Power AC Solid State Relay  
One-way crimp SCR chip antiparallel NO output  
DC-AC DC signal control AC load  
Optoelectronic devices Isolation  
Zero crossing / Random Trigger Form



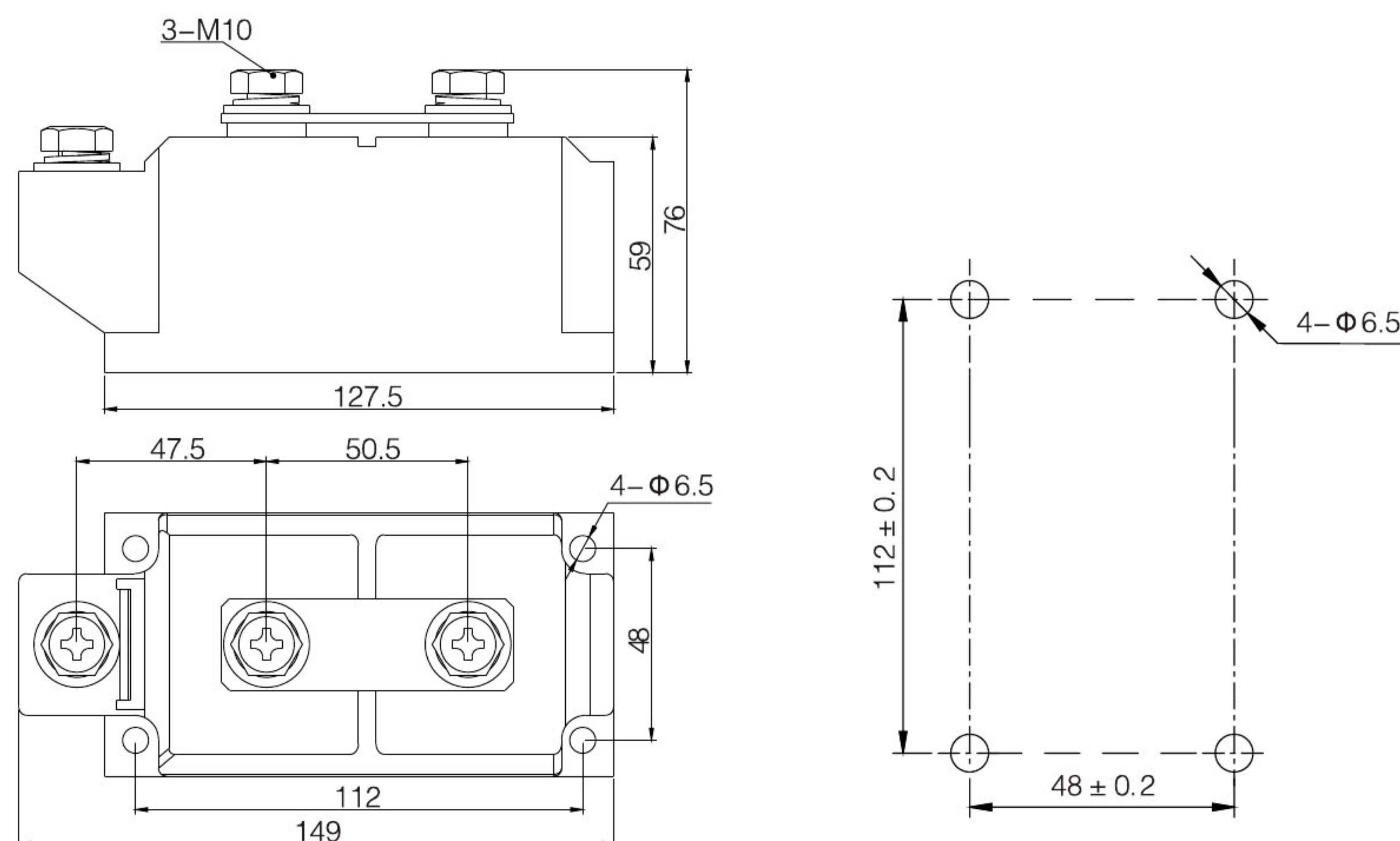
## □技术参数 Technical Specification

产品型号	Product model	XSSR-DA48□M5
控制电压	Control voltage	3-32VDC
控制电流	Control current	6-25mA
反向电压	Reverse voltage	32VDC
保证关闭电压	Guarantee close voltage	1VDC
保证开通电压	Guarantee open voltage	3VDC
负载电压	Load voltage	75-480VAC
负载最大电流	Load max current	500A-600A
负载最小电流	Load mini current	0.5A
通态压降	Breakover voltage	≤3VAC
输出漏电流	Output leakage current	≤1mA
介质耐压	Medium withstand voltage	≥2500VAC
绝缘电阻	Insulating resistance	≥100MΩ
开关时间	Switching time	≤10mS
频率范围	Frequency range	50-60Hz
工作温度	Operating temperature	-20-70°C
负载电流安全系数	load current safety factor	阻性负载取(resistive load)50-60% 感性负载取(inductive load)30-40%

## □外形尺寸及接线图

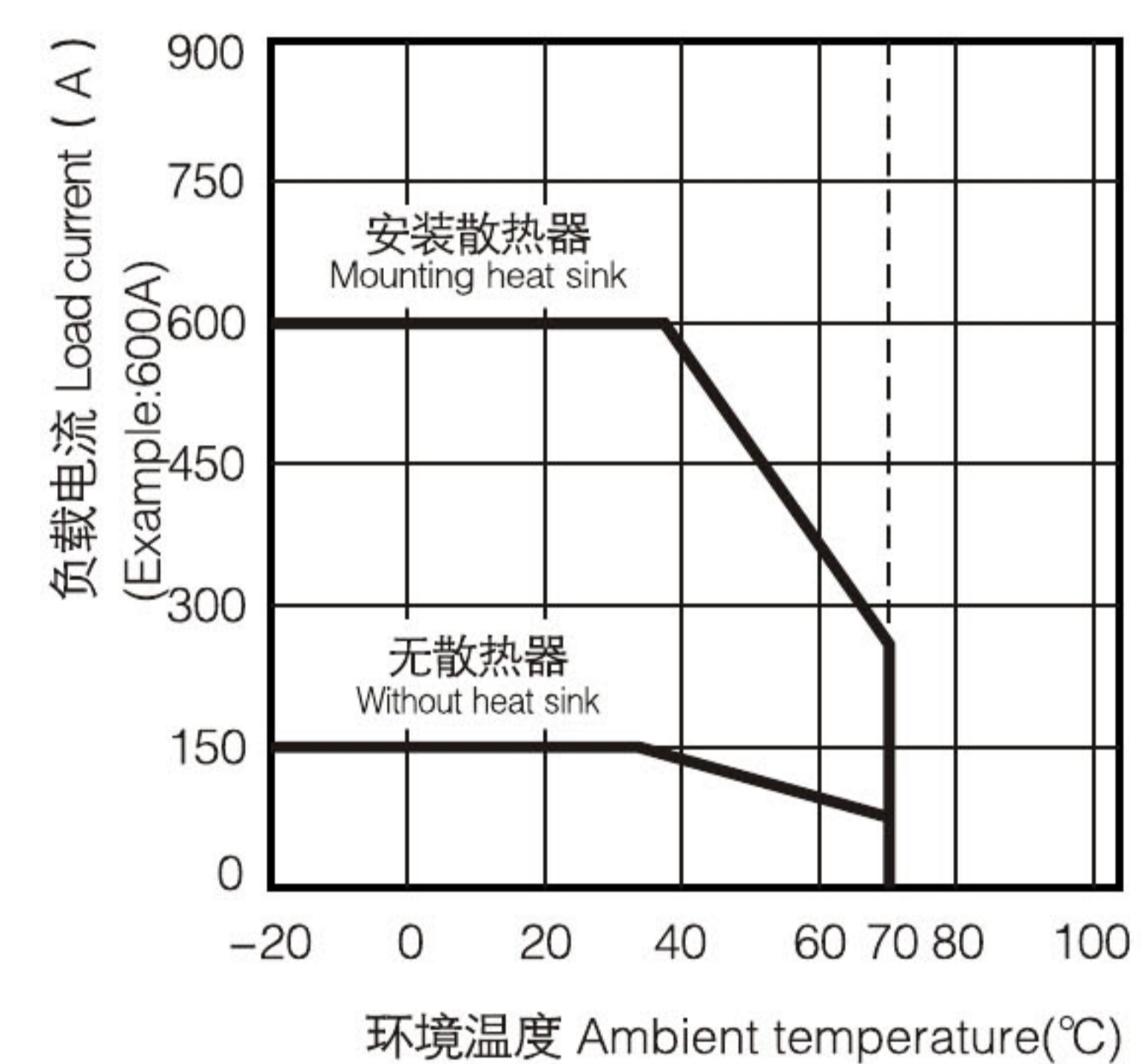
### Outshape dimensions & Connection Diagram

- 外形及安装尺寸图(单位: mm)  
Dimensions diagram of the Outshape and mount

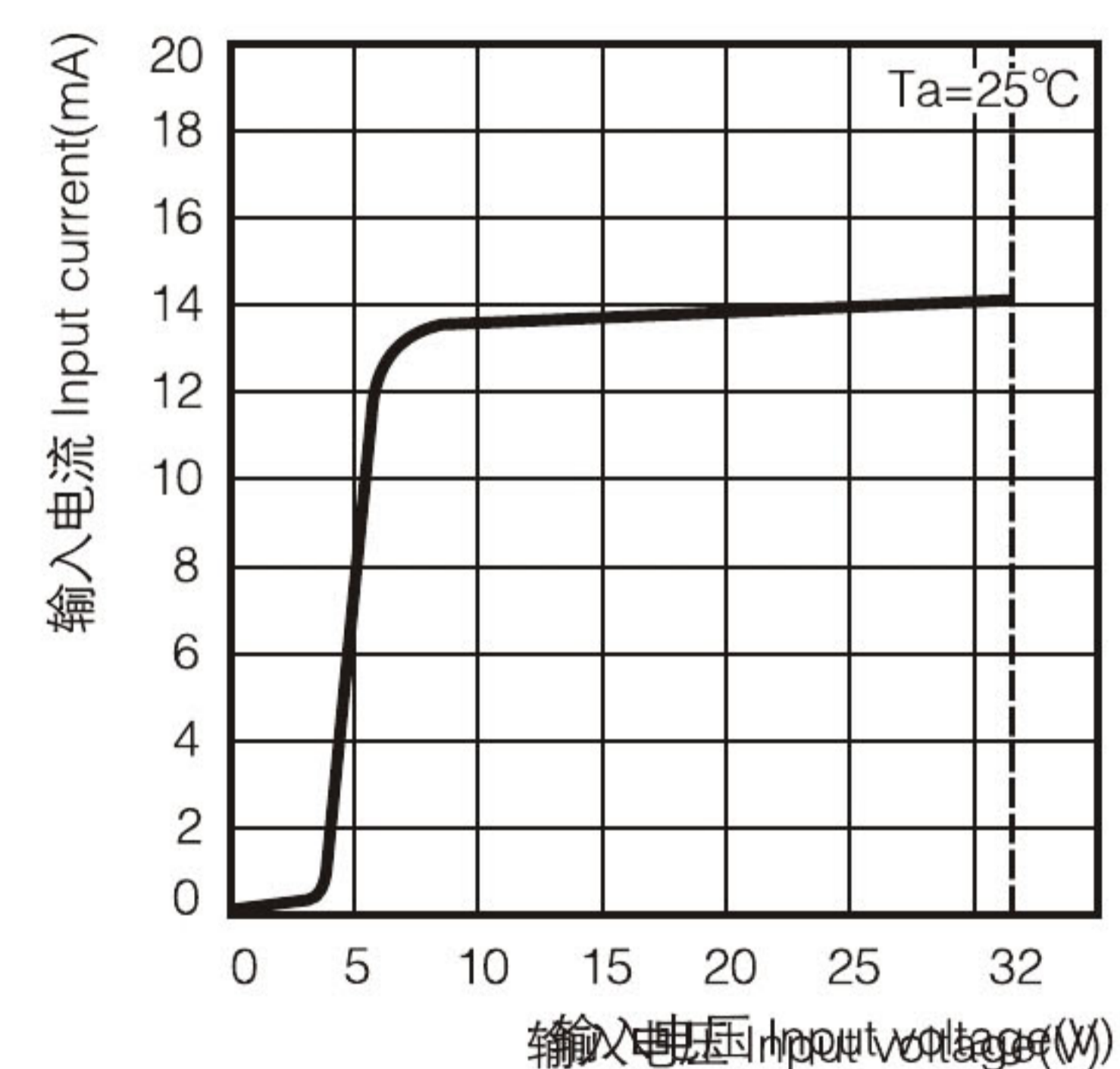


## □特性曲线 Characteristic curve

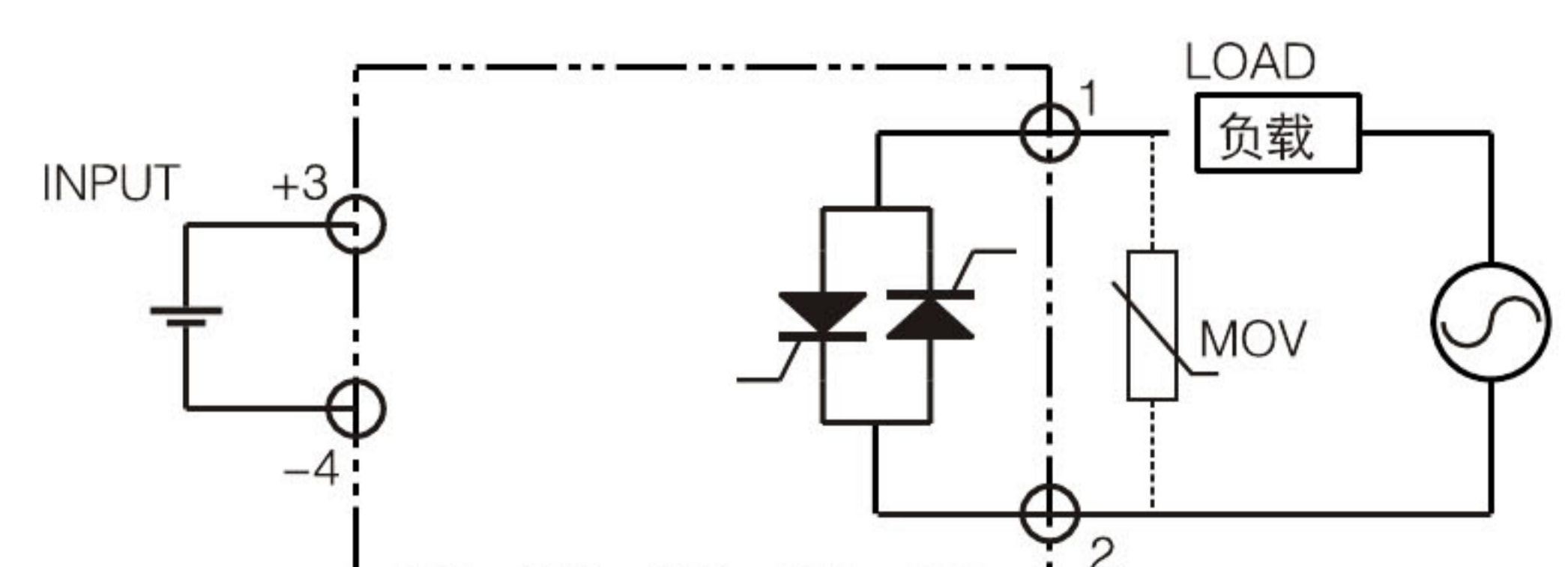
负载电流-环境温度  
Load current- Ambient temperature



输入电压-输入电流  
Input voltage-Input current



### • 端子接线图 Connection Diagram



## 特点 Features

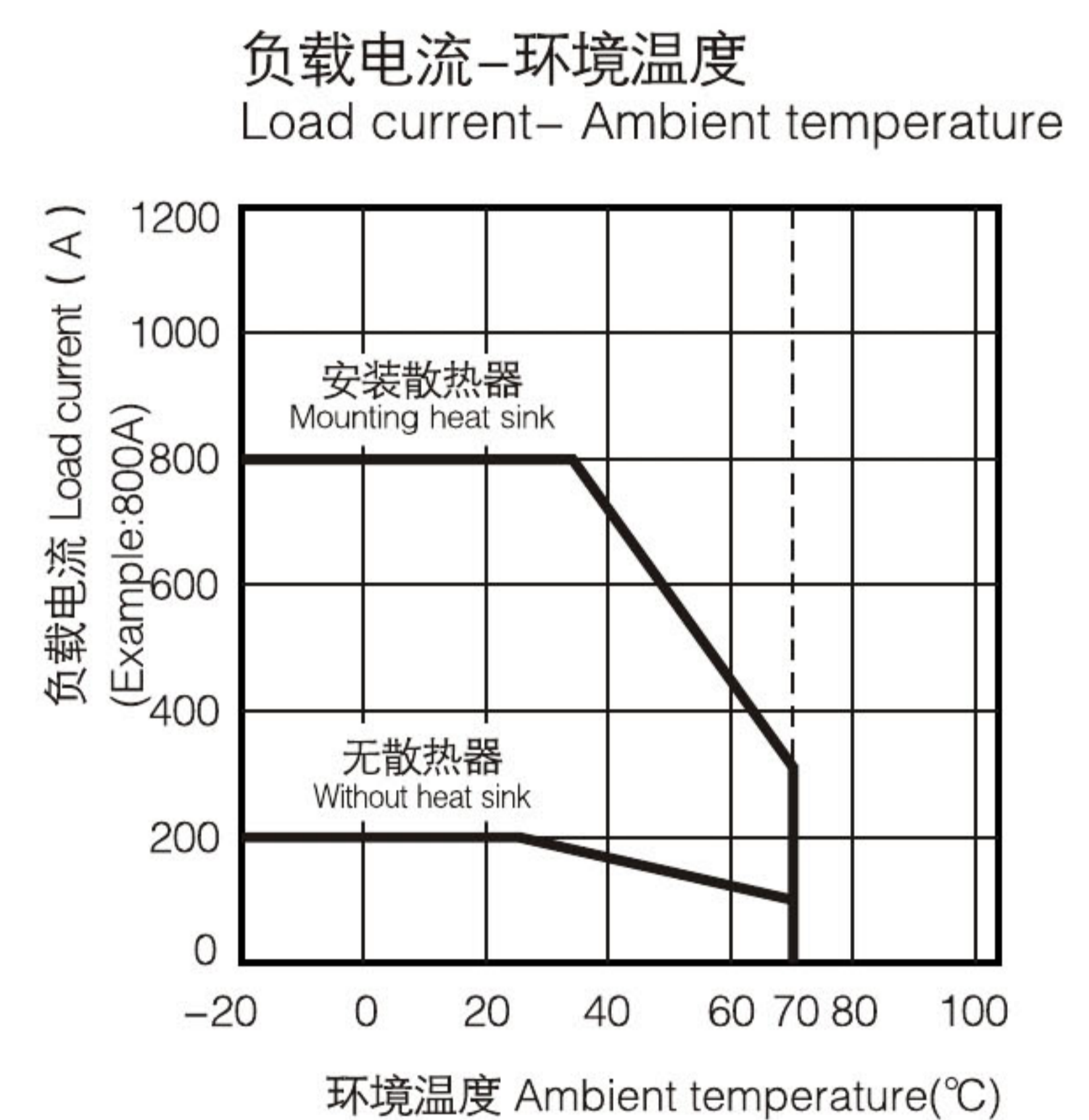
- 螺栓安装-模块式 大功率交流固态继电器
- 单向压接式可控硅芯片反并联 常开输出
- DC-AC 直流信号控制交流负载
- 光电器件隔离
- 过零/随机触发形式
- Bolt Installation-Module Type High Power AC Solid State Relay
- One-way crimp SCR chip antiparallel NO output
- DC-AC DC signal control AC load
- Optoelectronic devices Isolation
- Zero crossing / Random Trigger Form



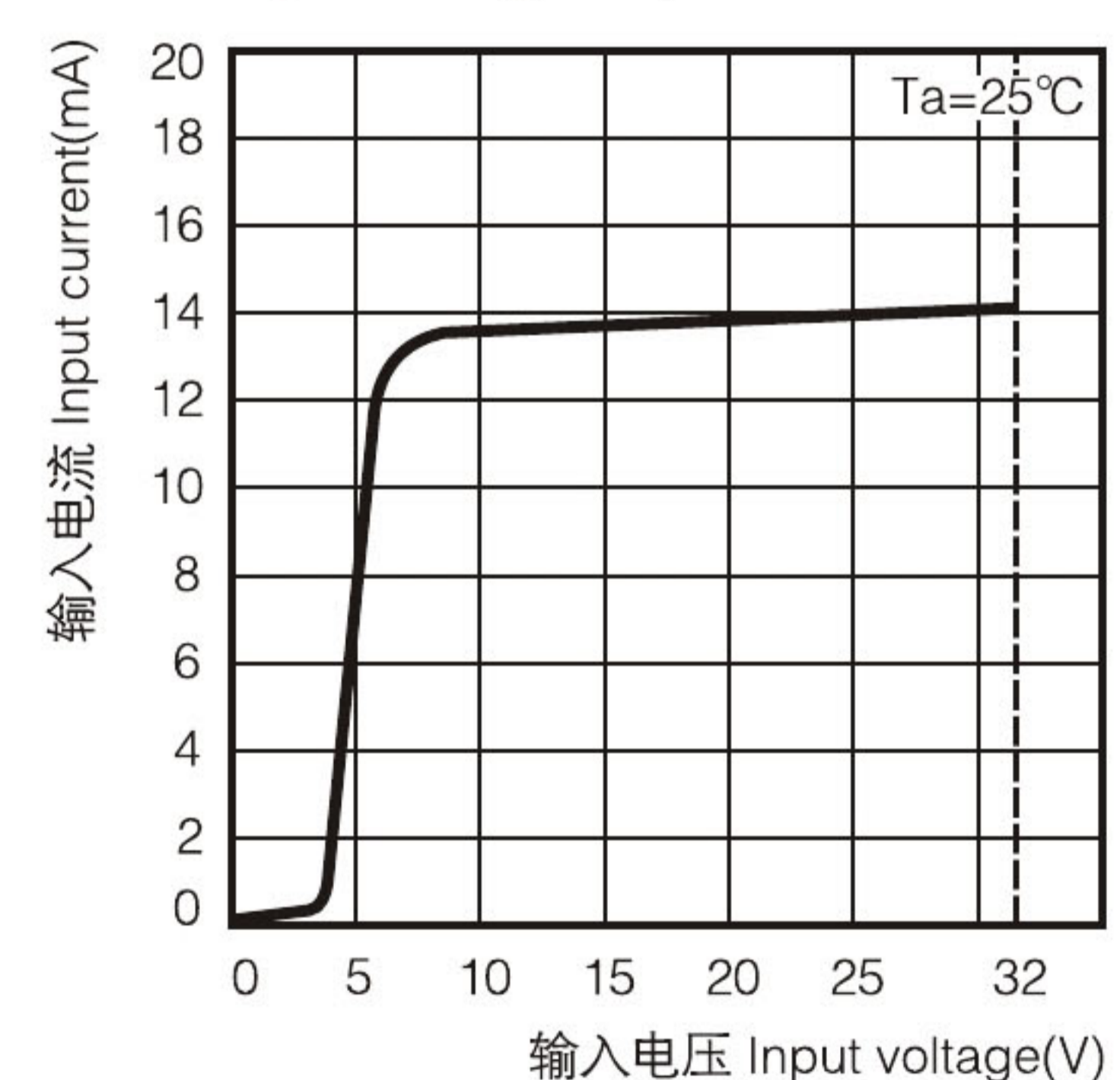
## 技术参数 Technical Specification

产品型号	Product model	XSSR-DA48□M6
控制电压	Control voltage	3-32VDC
控制电流	Control current	6-25mA
反向电压	Reverse voltage	32VDC
保证关闭电压	Guarantee close voltage	1VDC
保证开通电压	Guarantee open voltage	3VDC
负载电压	Load voltage	75-480VAC
负载最大电流	Load max current	700A-1000A
负载最小电流	Load mini current	0.8A
通态压降	Breakover voltage	≤3VAC
输出漏电流	Output leakage current	≤1mA
介质耐压	Medium withstand voltage	≥2500VAC
绝缘电阻	Insulating resistance	≥100MΩ
开关时间	Switching time	≤10mS
频率范围	Frequency range	50-60Hz
工作温度	Operating temperature	-20-70°C
负载电流安全系数	load current safety factor	阻性负载取(resistive load)50-60% 感性负载取(inductive load)30-40%

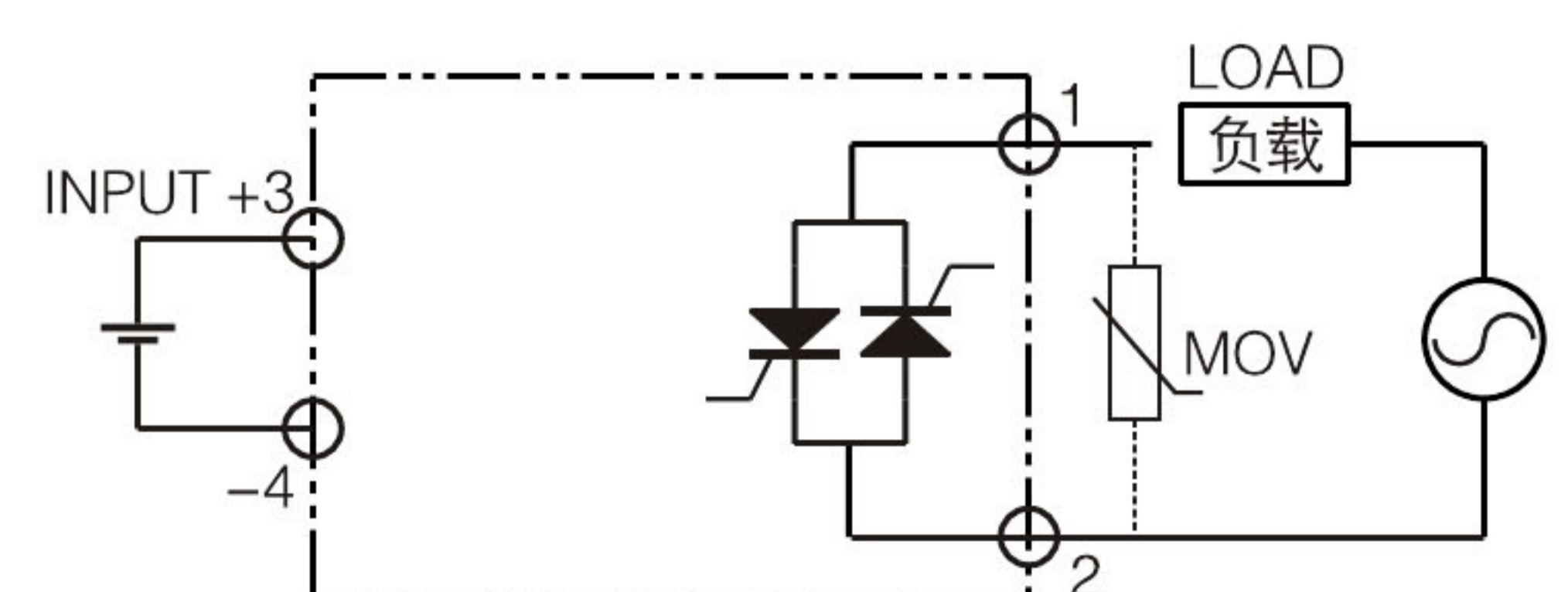
## 特性曲线 Characteristic curve



输入电压-输入电流  
Input voltage-Input current



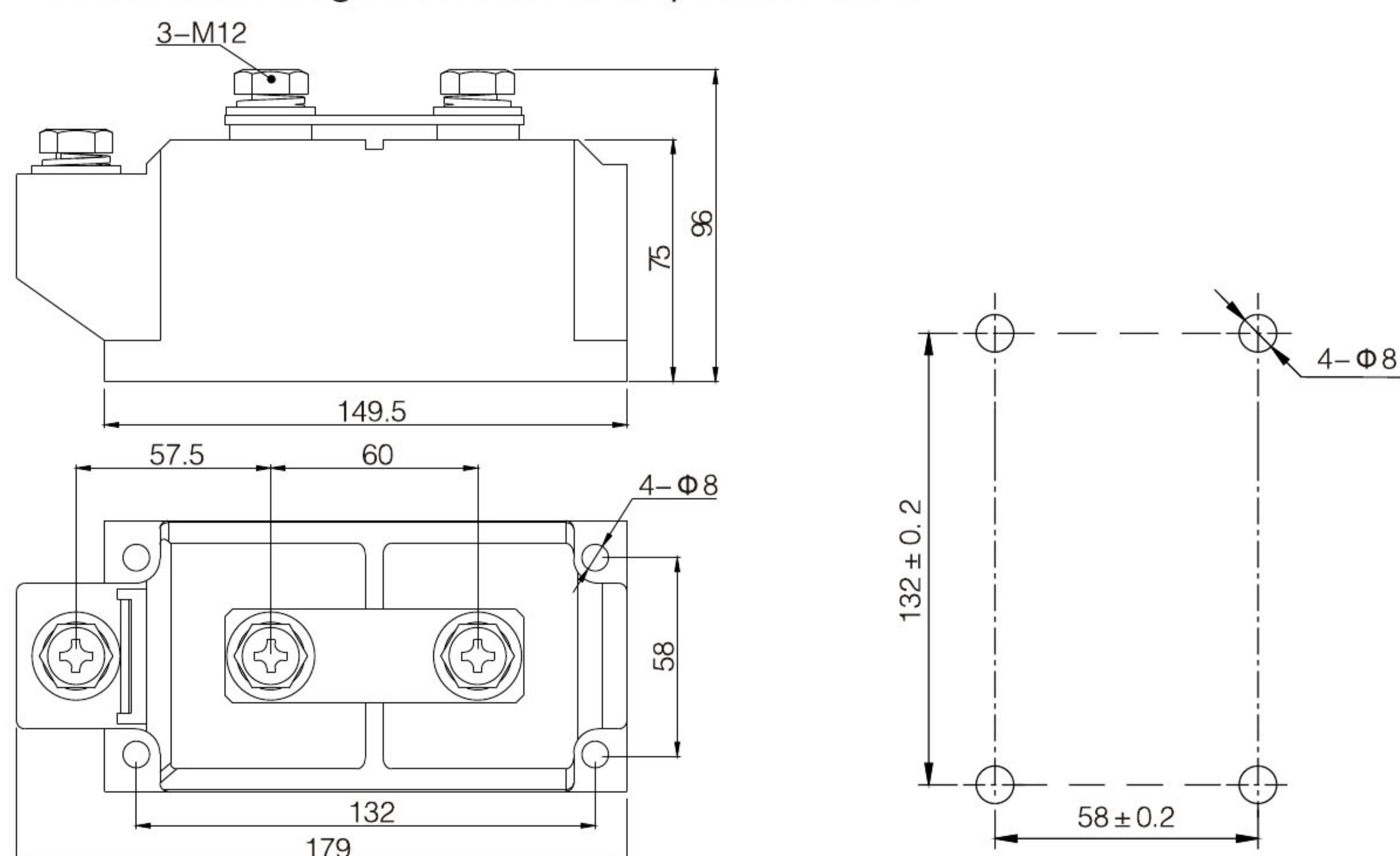
## 端子接线图 Connection Diagram



## 外形尺寸及接线图

### Outshape dimensions & Connection Diagram

- 外形及安装尺寸图(单位: mm)  
Dimensions diagram of the Outshape and mount



## □特点 Features

- 电路板焊接-单列直插式 小型直流固态继电器
- 达林顿管/场效应管 常开输出
- DC-DC 直流信号控制直流负载
- 光电器件隔离
- SMD贴装工艺
- LED指示工作状态
- PCB soldering-Single Side Lead Insert Type Mini DC Solid State Relay
- Darlington Transistor/MOSFET NO output
- DC-DC DC signal control DC load
- Optoelectronic devices Isolation
- SMD mount technology
- LED Status Indicator

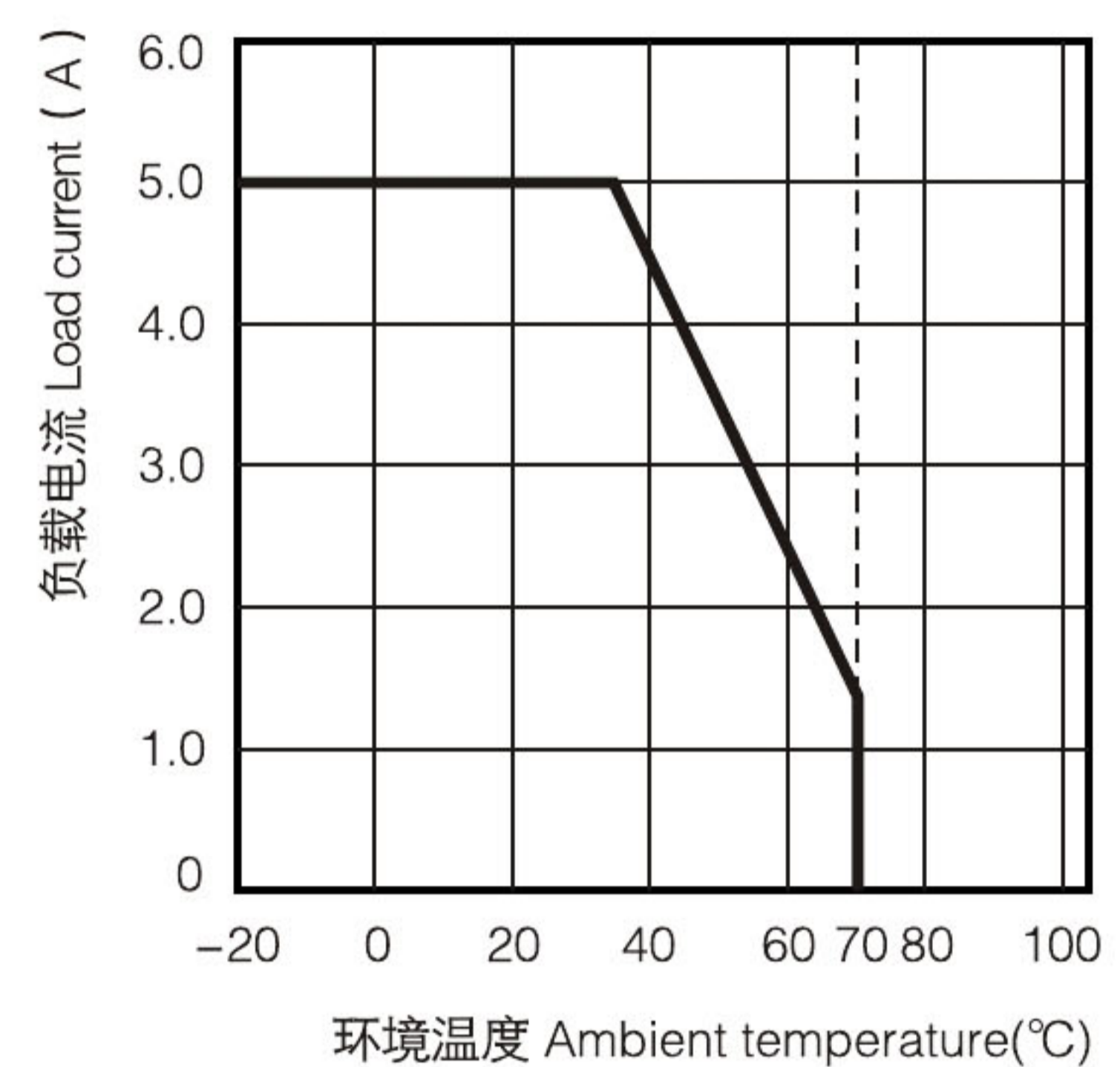


## □技术参数 Technical Specification

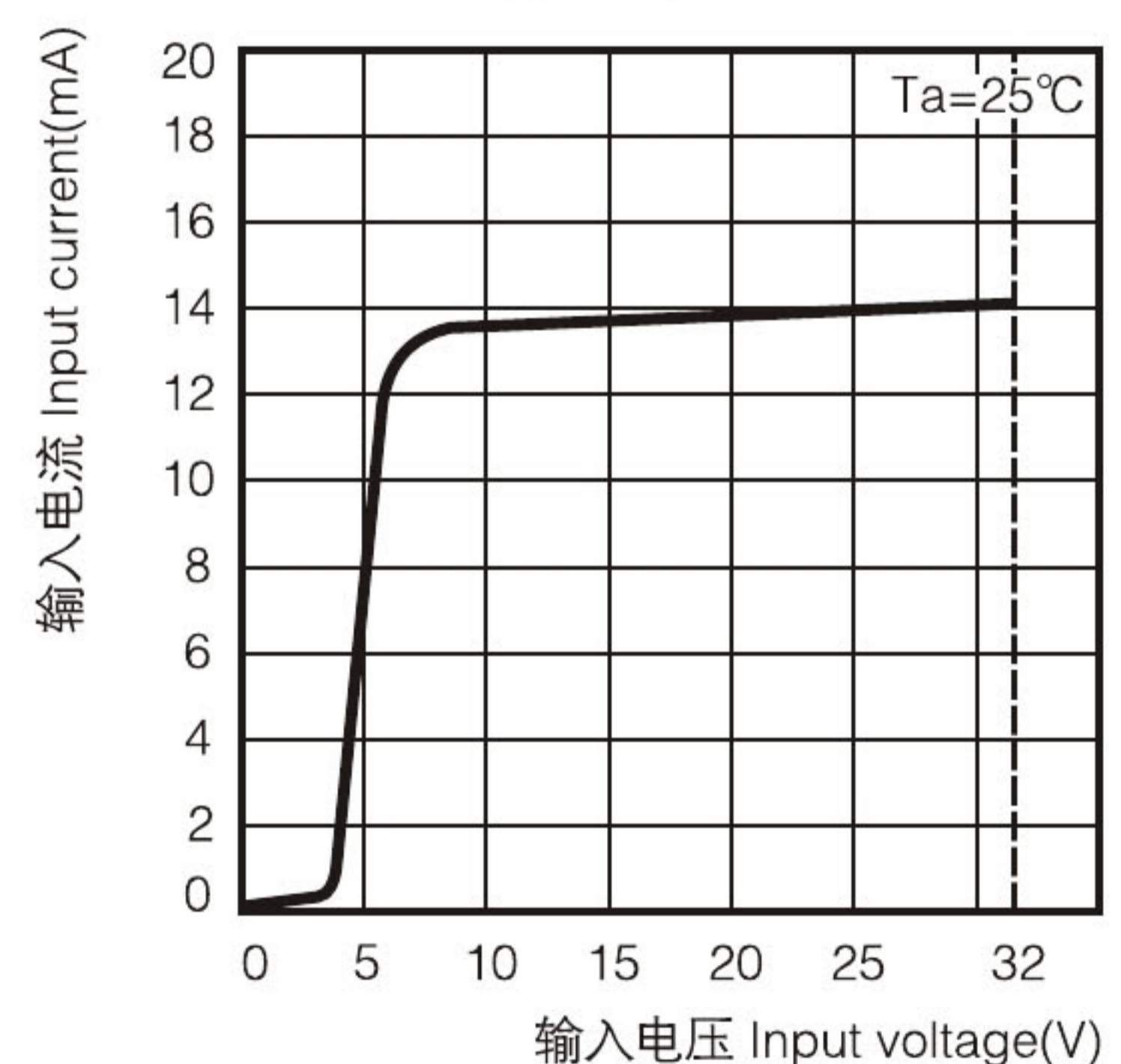
产品型号	Product model	XSSR-DD11□P3
控制电压	Control voltage	3-32VDC
控制电流	Control current	6-25mA
反向电压	Reverse voltage	32VDC
保证关闭电压	Guarantee close voltage	1VDC
保证开通电压	Guarantee open voltage	3VDC
负载电压	Load voltage	5-110VDC
负载最大电流	Load max current	3A-5A
负载最小电流	Load mini current	0.05A
通态压降	Breakover voltage	≤ 1.5VDC
输出漏电流	Output leakage current	≤ 0.5mA
介质耐压	Medium withstand voltage	≥ 2500VAC
绝缘电阻	Insulating resistance	≥ 100MΩ
开关时间	Switching time	≤ 1mS
工作温度	Operating temperature	-20-70°C
负载电流安全系数 load current safety factor	阻性负载取(resistive load)	40-50%
	感性负载取(inductive load)	20-30%

## □特性曲线 Characteristic curve

负载电流-环境温度  
Load current- Ambient temperature



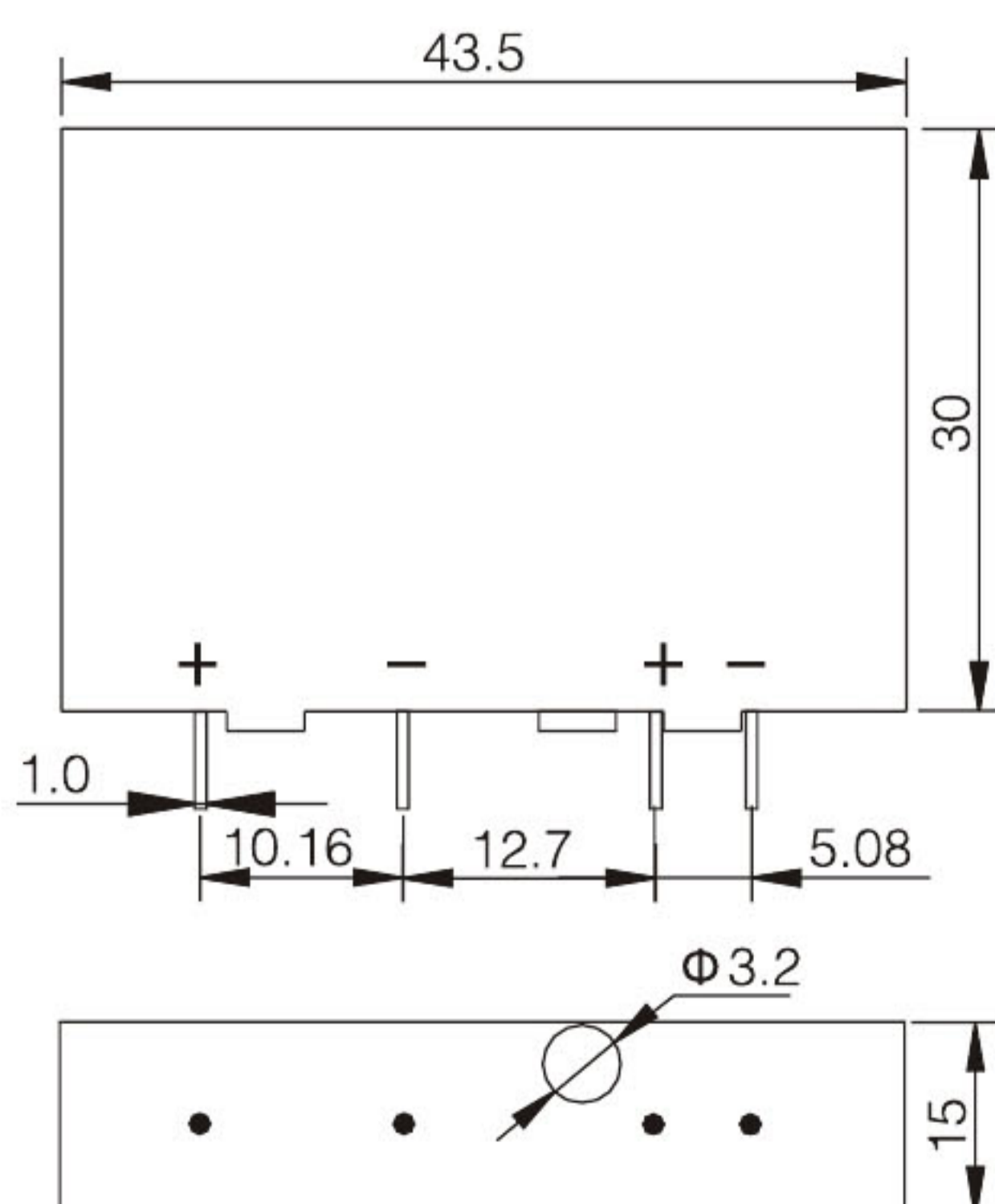
输入电压-输入电流  
Input voltage-Input current



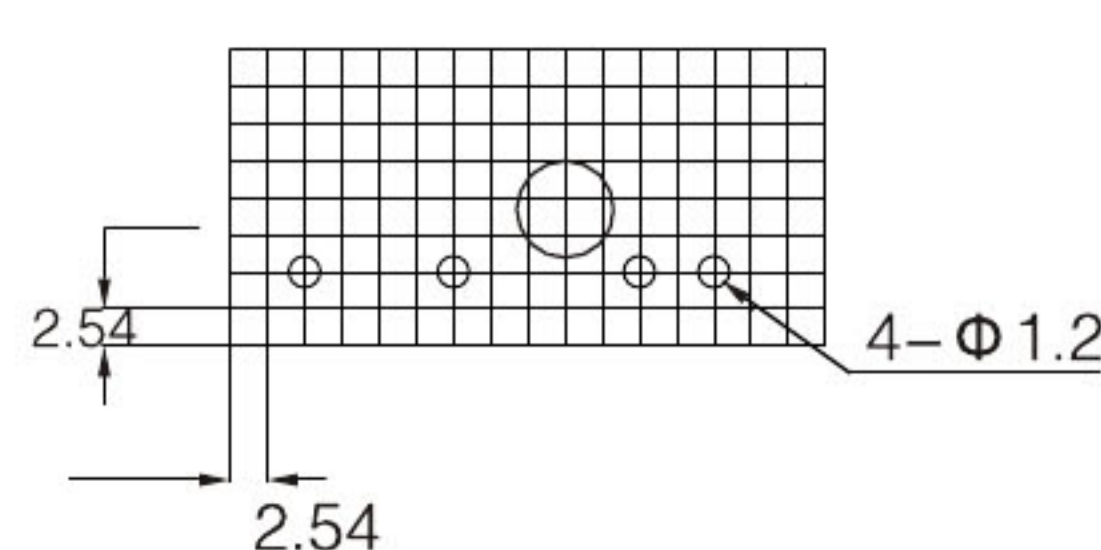
## □外形尺寸及接线图

### Outshape dimensions & Connection Diagram

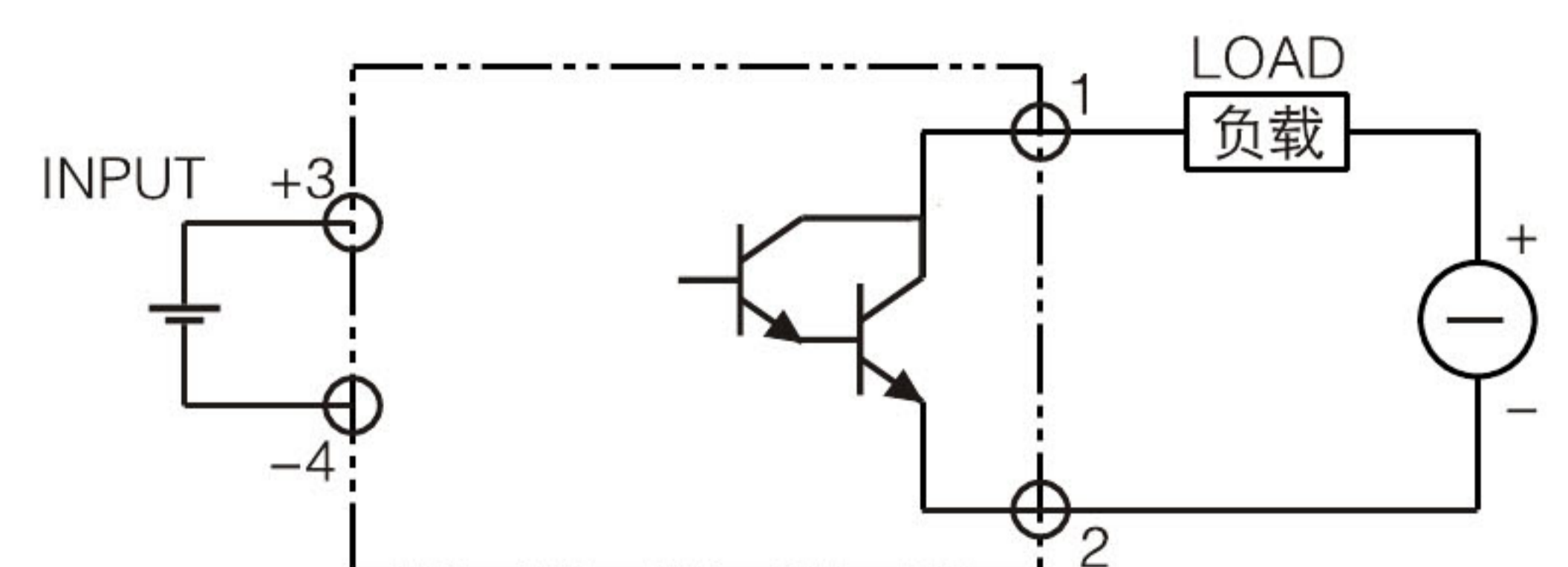
- 外形及安装尺寸图(单位: mm)  
Dimensions diagram of the Outshape and mount



- PCB板尺寸  
Size of PCB Board  
(Bottom view)

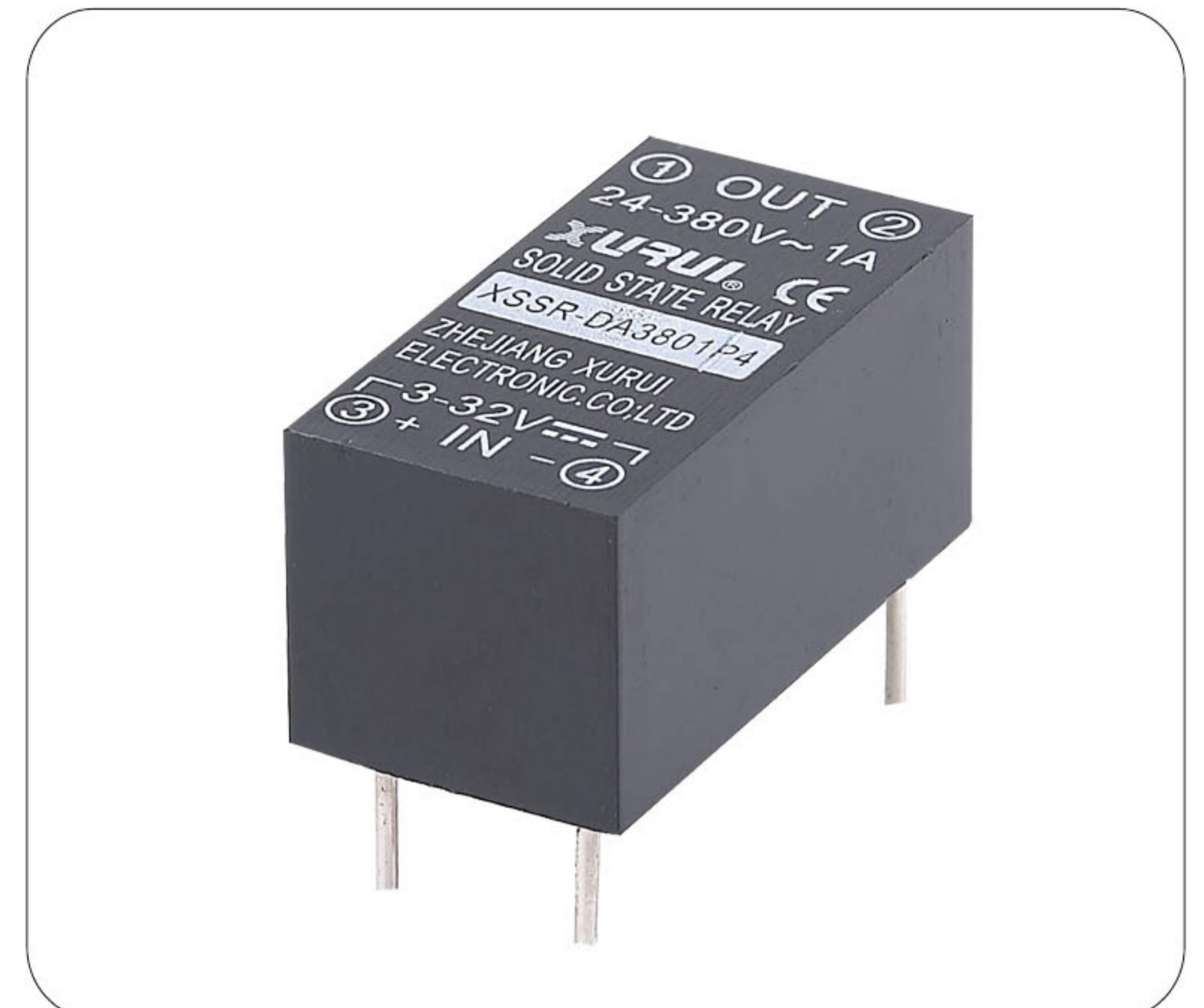


- 端子接线图 Connection Diagram



## □特点 Features

- 电路板焊接-双列直插式 小型直流固态继电器  
达林顿管/场效应管 常开输出  
DC-DC 直流信号控制直流负载  
光电器件隔离
- PCB soldering-Dual Side Lead Insert Type  
Mini DC Solid State Relay  
Darlington Transistor/MOSFET NO output  
DC-DC DC signal control DC load  
Optoelectronic devices Isolation



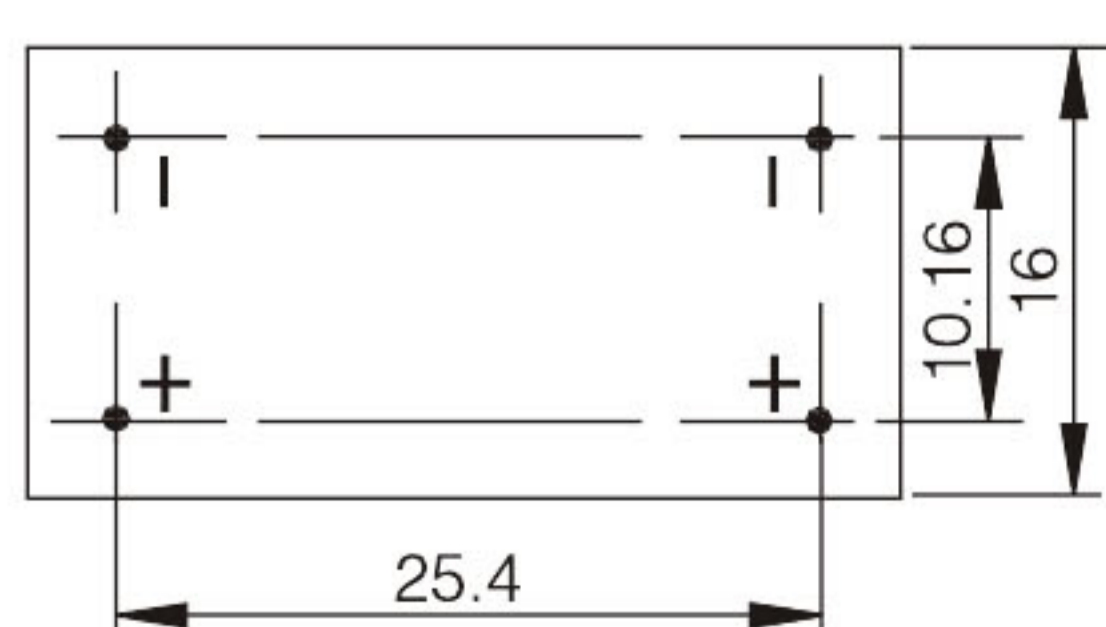
## □技术参数 Technical Specification

产品型号	Product model	XSSR-DD1101P4
控制电压	Control voltage	4-12VDC
控制电流	Control current	6-30mA
保证关闭电压	Guarantee close voltage	1.5VDC
保证开通电压	Guarantee open voltage	3.5VDC
负载电压	Load voltage	5-110VDC
负载最大电流	Load max current	1A
负载最小电流	Load mini current	0.02A
通态压降	Breakover voltage	≤1.5VDC
输出漏电流	Output leakage current	≤0.5mA
介质耐压	Medium withstand voltage	≥2500VAC
绝缘电阻	Insulating resistance	≥100MΩ
开关时间	Switching time	≤1mS
频率范围	Frequency range	50-60Hz
工作温度	Operating temperature	-20-70℃
负载电流安全系数 load current safety factor	阻性负载取(resistive load)	40-50%
	感性负载取(inductive load)	20-30%

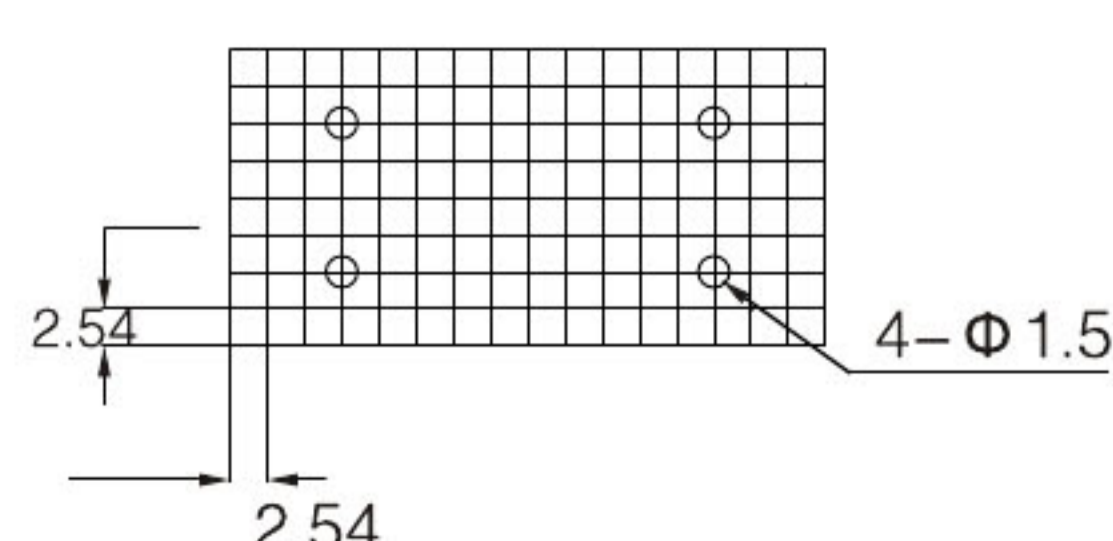
## □外形尺寸及接线图

### Outshape dimensions & Connection Diagram

- 外形及安装尺寸图(单位: mm)  
Dimensions diagram of the Outshape and mount

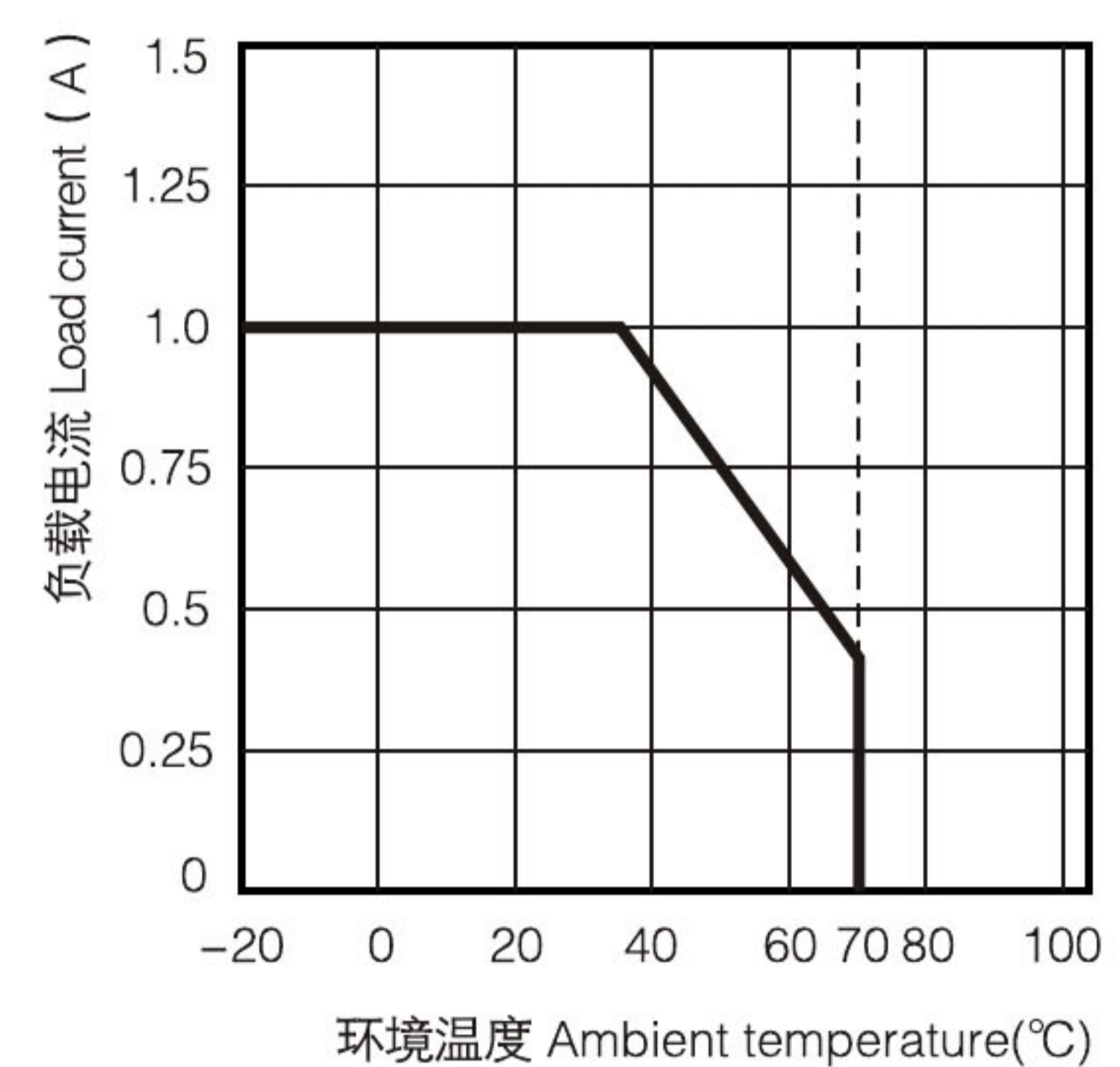


- PCB板尺寸  
Size of PCB Board  
(Bottom view)

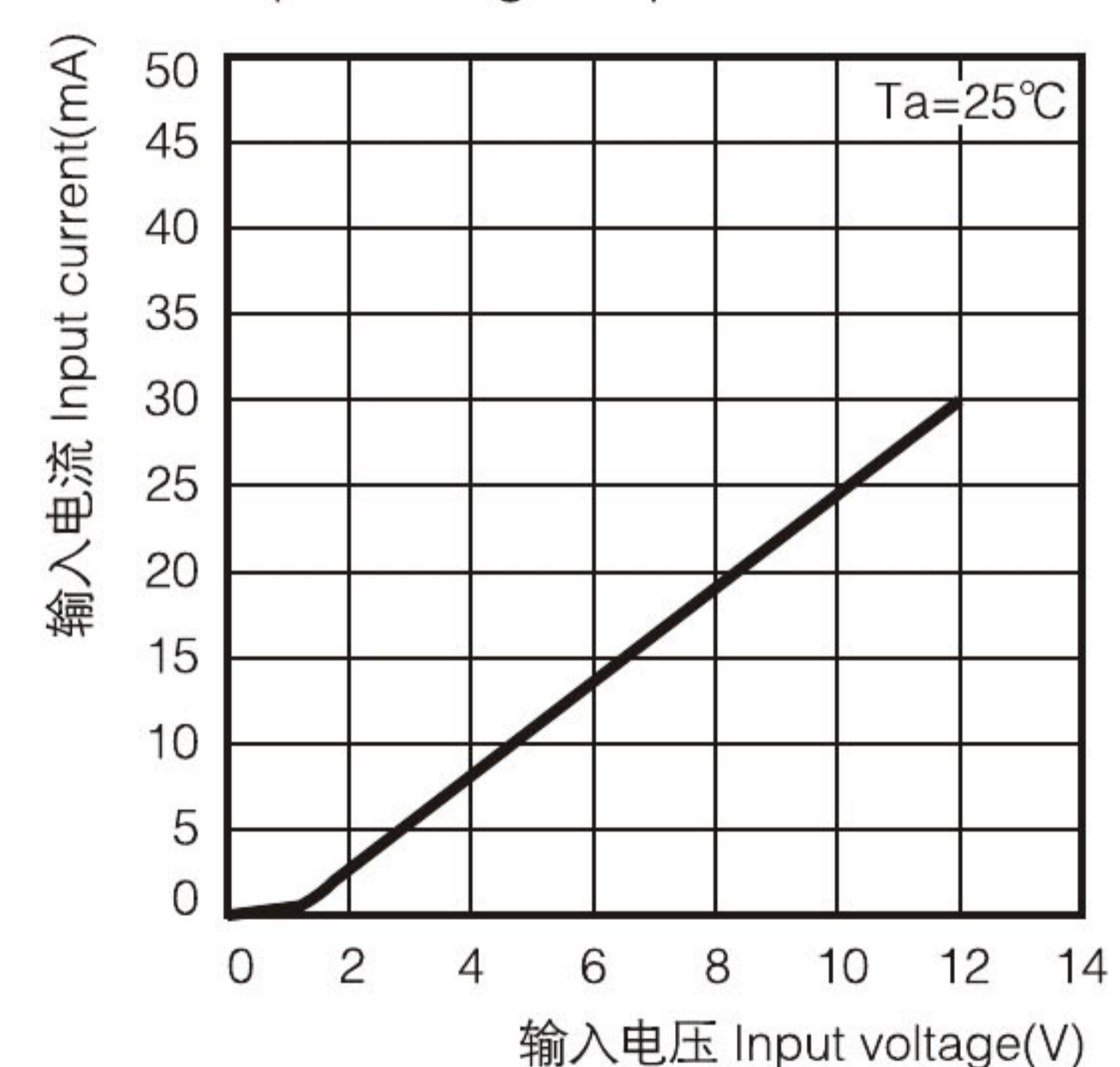


## □特性曲线 Characteristic curve

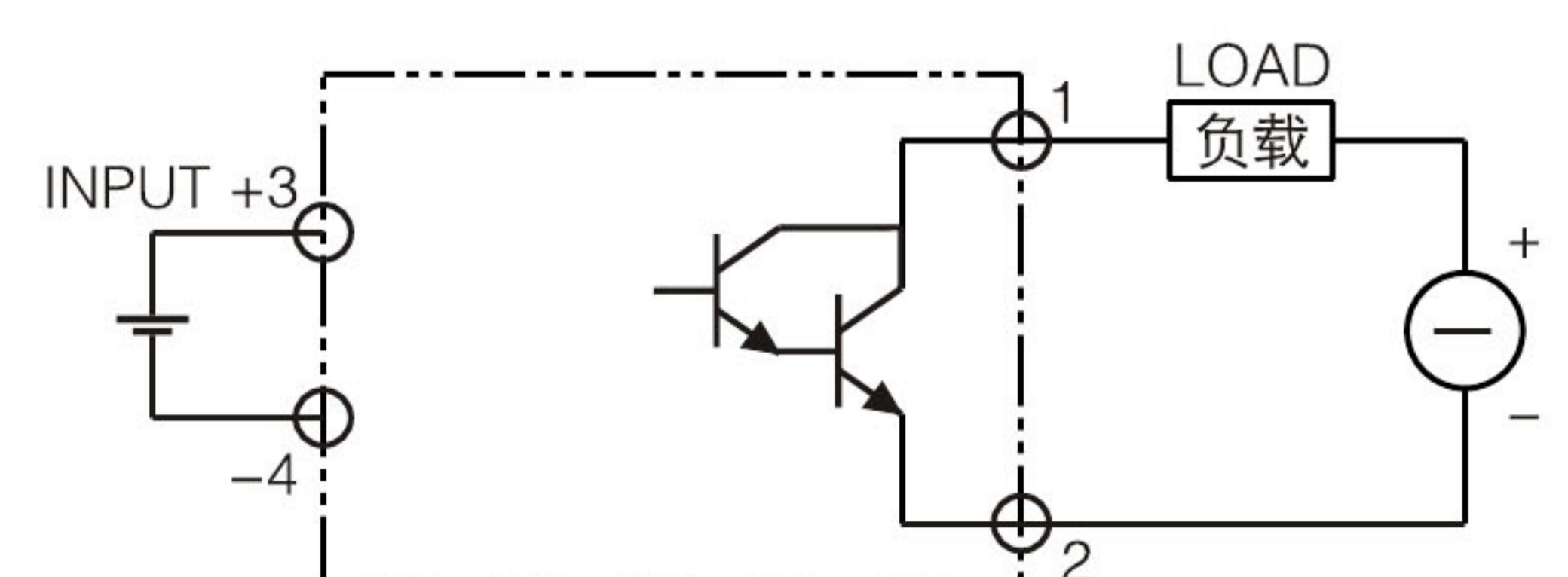
负载电流-环境温度  
Load current- Ambient temperature



输入电压-输入电流  
Input voltage-Input current

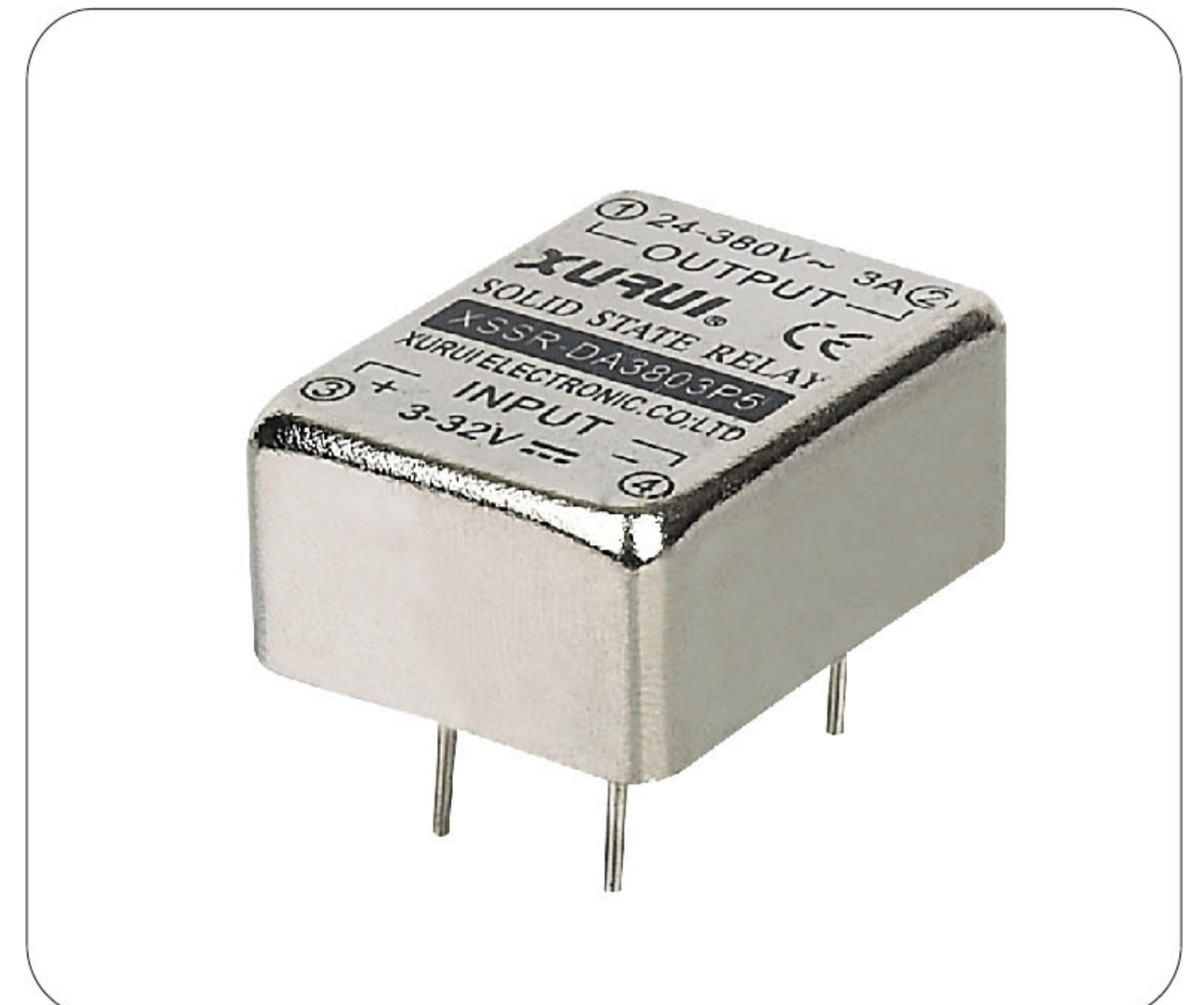


- 端子接线图 Connection Diagram



## □特点 Features

- 电路板焊接-铜外壳 双列直插式 小型直流固态继电器  
达林顿管/场效应管 常开输出  
DC-DC 直流信号控制直流负载  
光电器件隔离
- PCB soldering-Copper housing Dual Side Lead Insert Type  
Mini DC Solid State Relay  
Darlington Transistor/MOSFET NO output  
DC-DC DC signal control DC load  
Optoelectronic devices Isolation



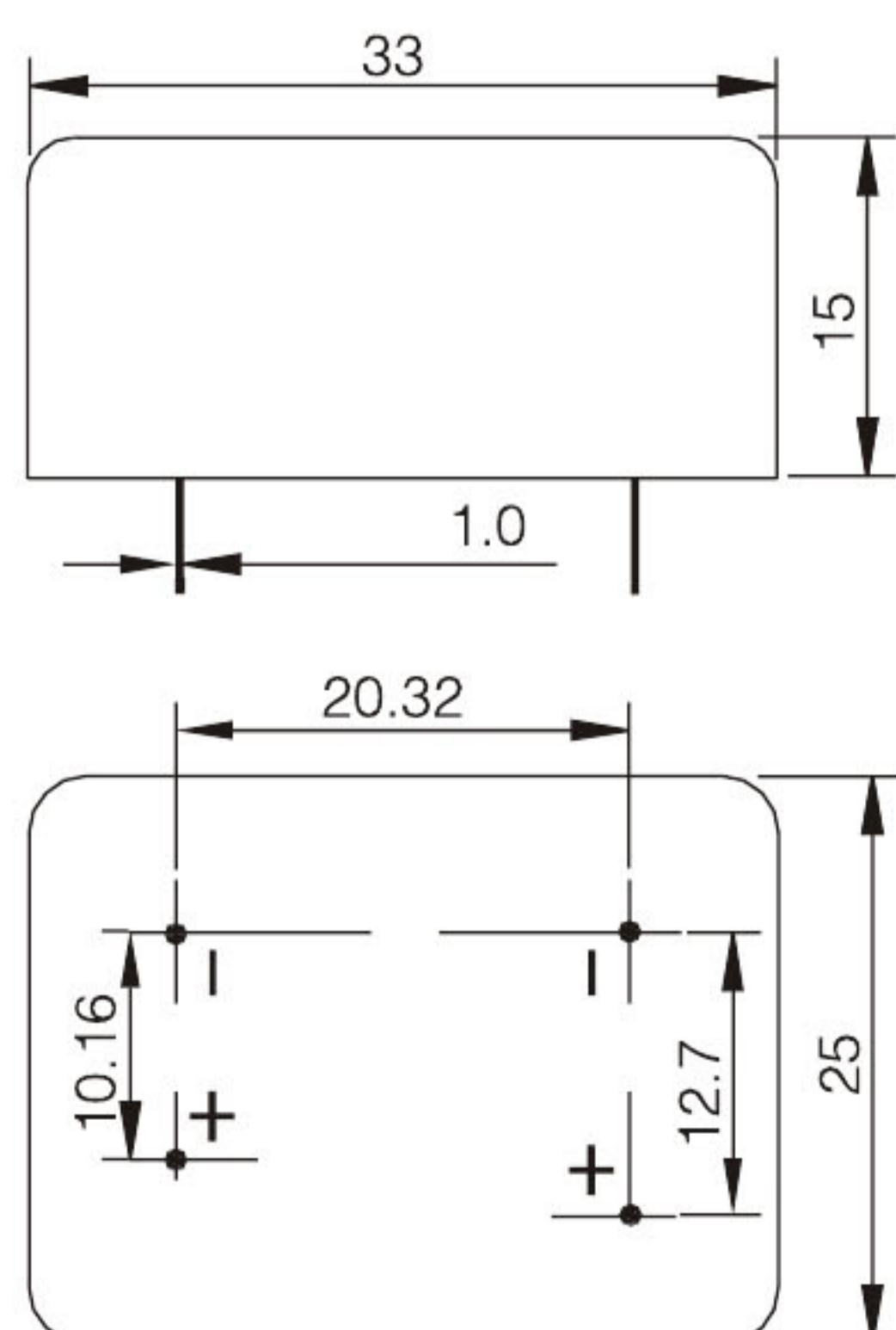
## □技术参数 Technical Specification

产品型号	Product model	XSSR-DD11□P5
控制电压	Control voltage	4-12VDC
控制电流	Control current	6-30mA
保证关闭电压	Guarantee close voltage	1.5VDC
保证开通电压	Guarantee open voltage	3.5VDC
负载电压	Load voltage	5-110VDC
负载最大电流	Load max current	2A-3A
负载最小电流	Load mini current	0.03A
通态压降	Breakover voltage	≤1.5VDC
输出漏电流	Output leakage current	≤0.5mA
介质耐压	Medium withstand voltage	≥2500VAC
绝缘电阻	Insulating resistance	≥100MΩ
开关时间	Switching time	≤1mS
频率范围	Frequency range	50-60Hz
工作温度	Operating temperature	-20-70℃
负载电流安全系数 load current safety factor	阻性负载取(resistive load)	40-50%
	感性负载取(inductive load)	20-30%

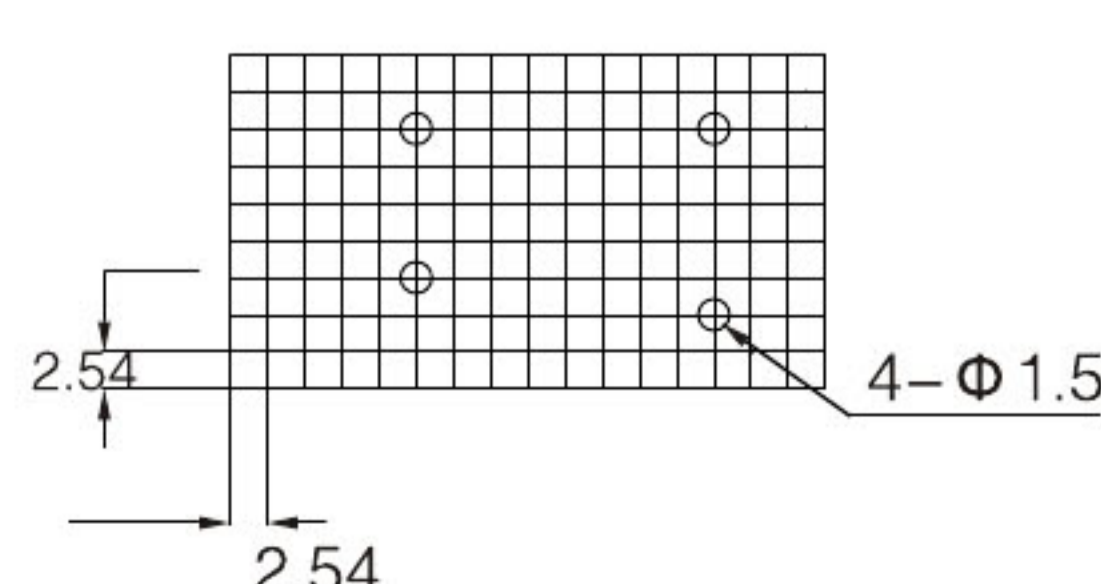
## □外形尺寸及接线图

### Outshape dimensions & Connection Diagram

- 外形及安装尺寸图(单位: mm)  
Dimensions diagram of the Outshape and mount

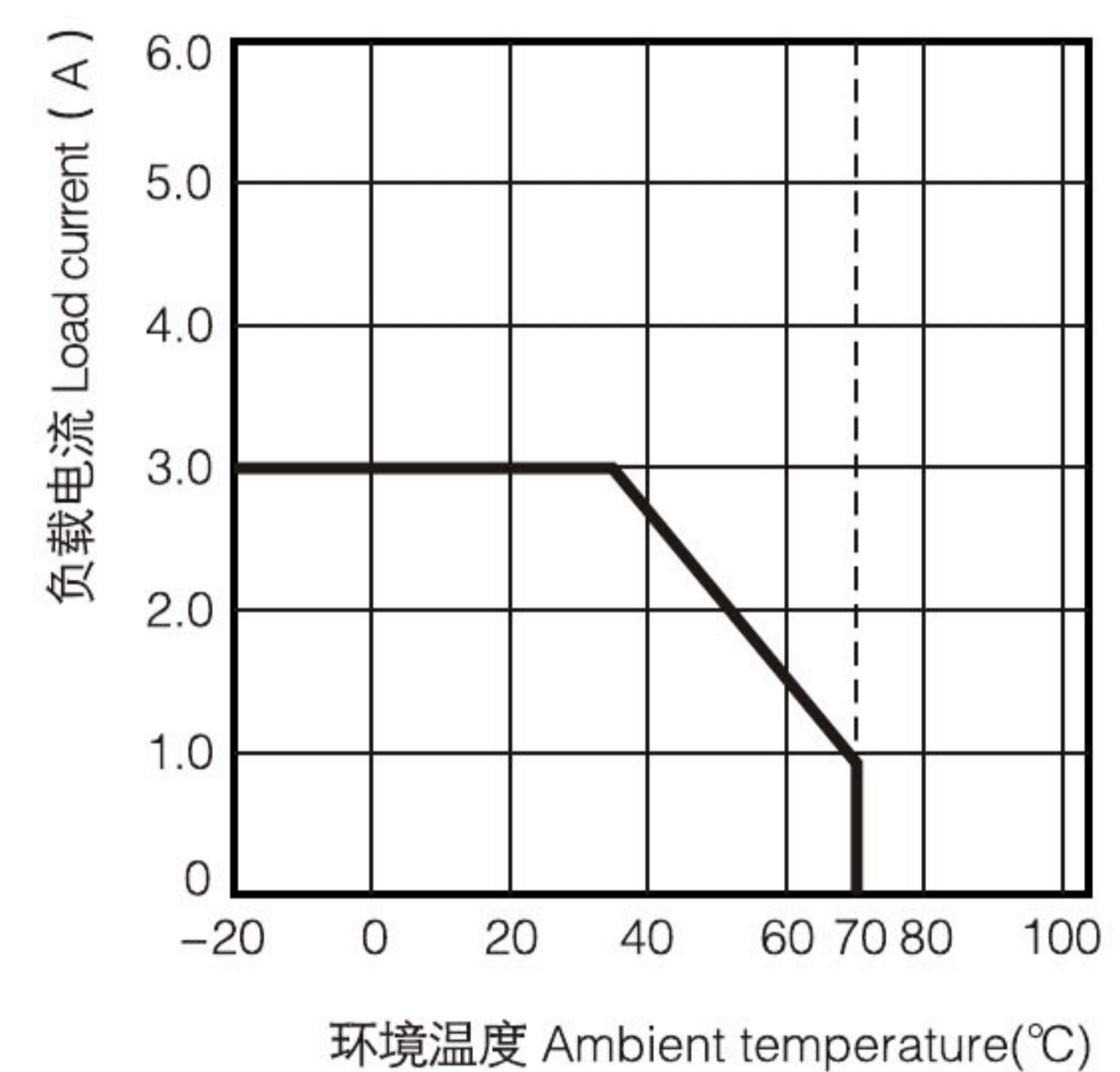


- PCB板尺寸  
Size of PCB Board  
(Bottom view)

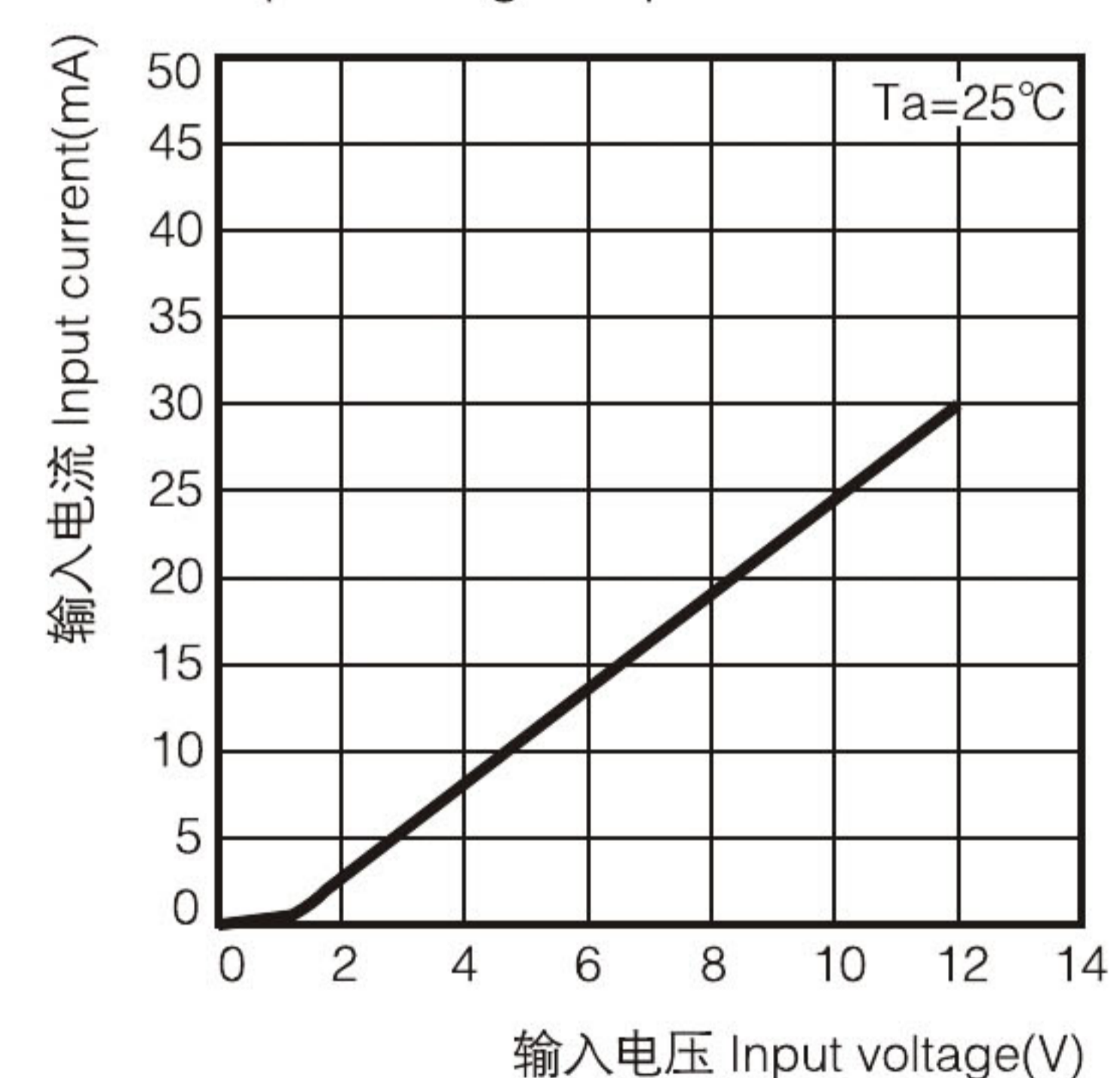


## □特性曲线 Characteristic curve

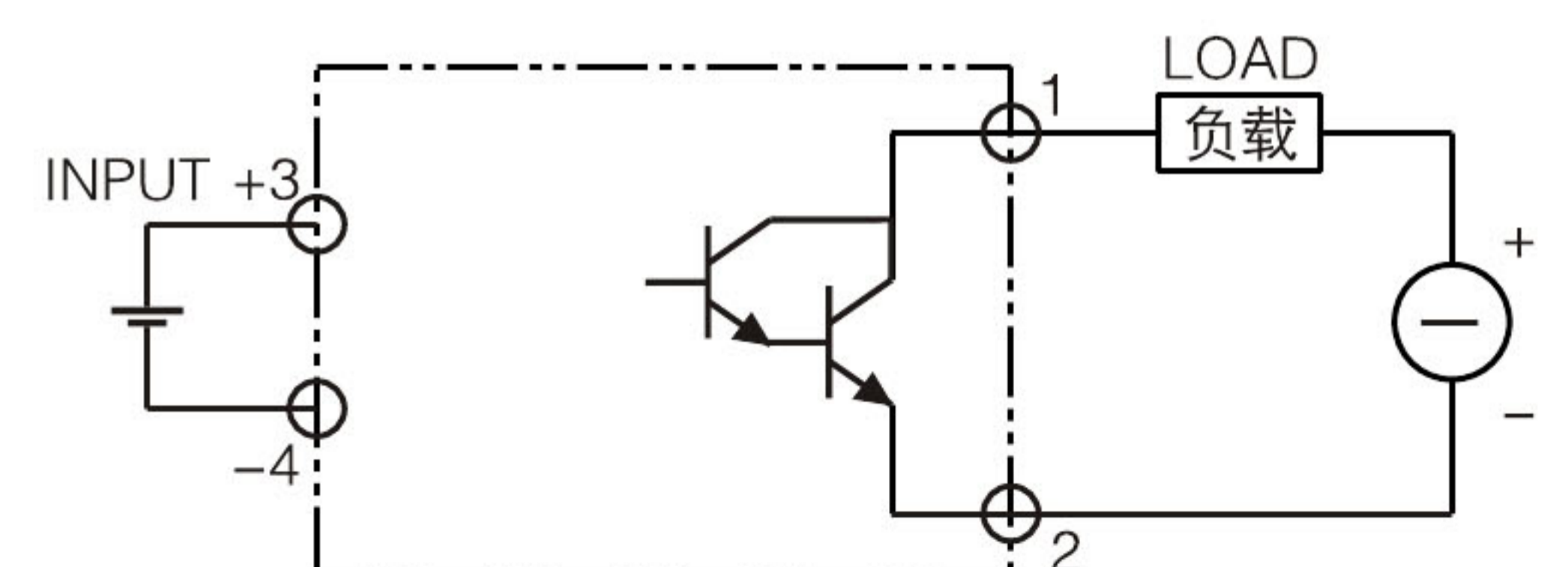
负载电流-环境温度  
Load current- Ambient temperature



输入电压-输入电流  
Input voltage-Input current



- 端子接线图 Connection Diagram



## □特点 Features

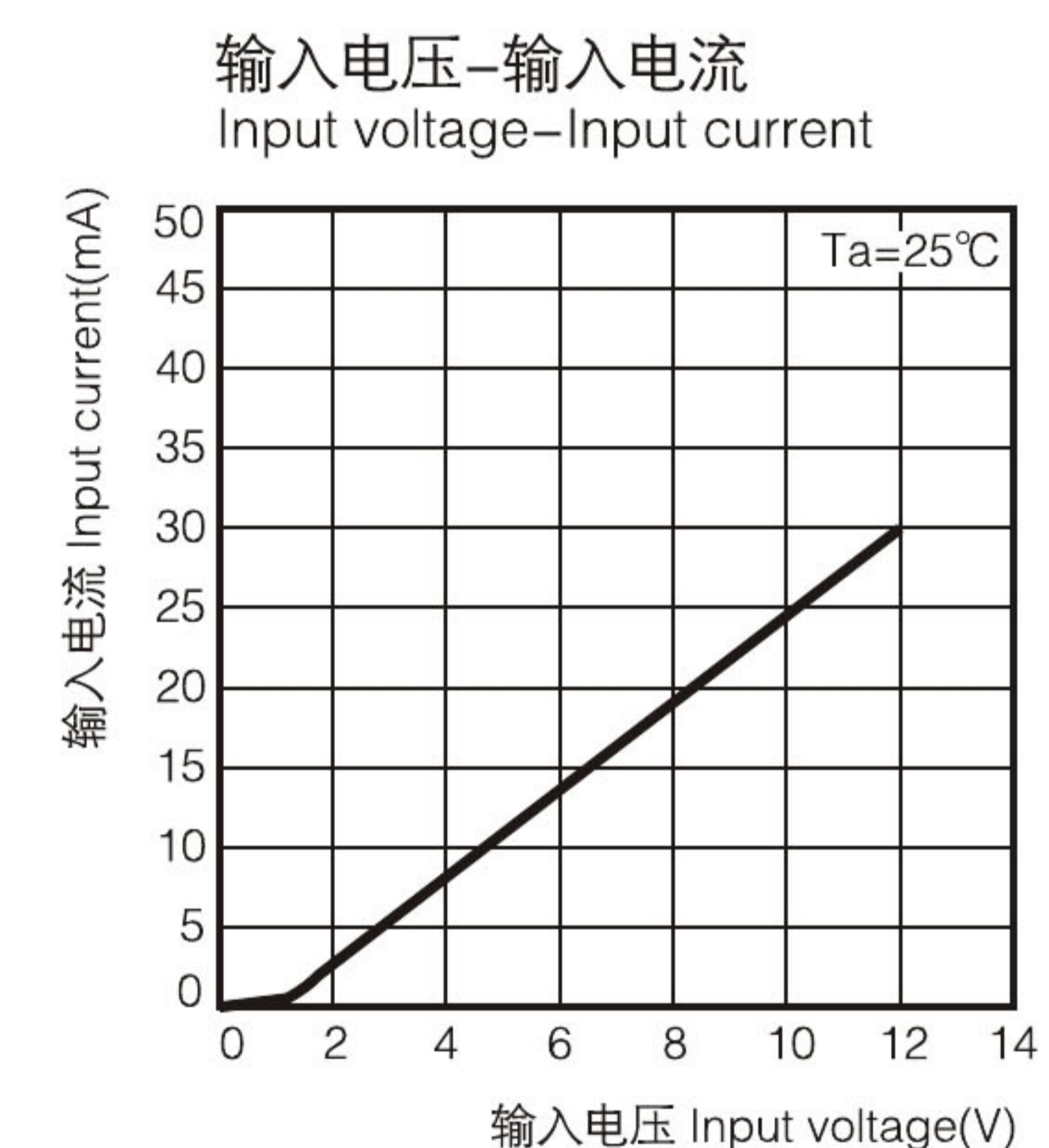
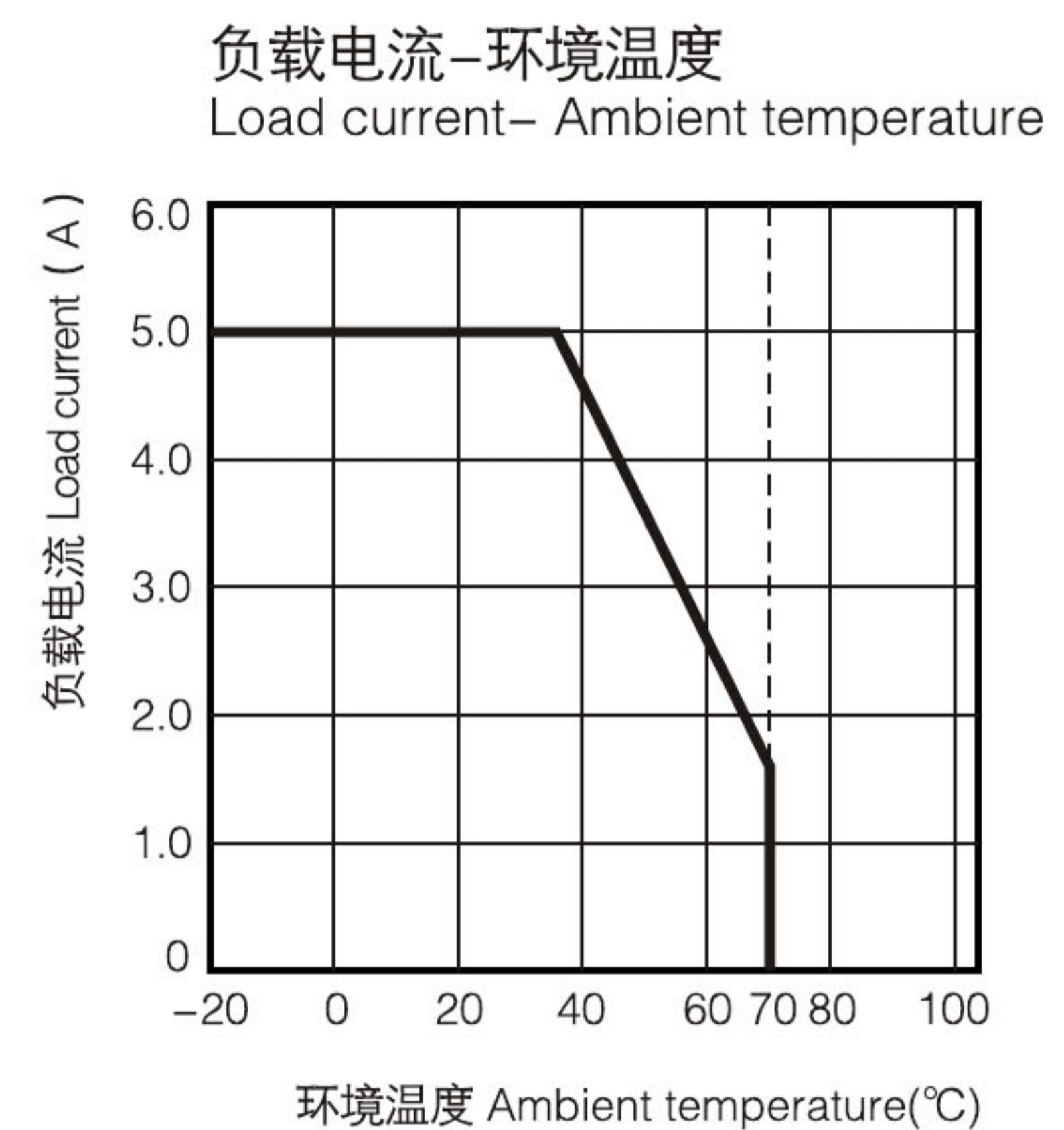
- 电路板焊接-铝外壳 双列直插式 小型直流固态继电器
- 达林顿管/场效应管 常开输出
- DC-DC 直流信号控制直流负载
- 光电器件隔离
- PCB soldering-Aluminum housing Dual Side Lead Insert Type  
Mini DC Solid State Relay  
Darlington Transistor/MOSFET NO output  
DC-DC DC signal control DC load  
Optoelectronic devices Isolation



## □技术参数 Technical Specification

产品型号	Product model	XSSR-DD11□P6
控制电压	Control voltage	4-12VDC
控制电流	Control current	6-30mA
保证关闭电压	Guarantee close voltage	1.5VDC
保证开通电压	Guarantee open voltage	3.5VDC
负载电压	Load voltage	5-110VDC
负载最大电流	Load max current	5A
负载最小电流	Load mini current	0.05A
通态压降	Breakover voltage	≤1.5VDC
输出漏电流	Output leakage current	≤0.5mA
介质耐压	Medium withstand voltage	≥2500VAC
绝缘电阻	Insulating resistance	≥100MΩ
开关时间	Switching time	≤1mS
频率范围	Frequency range	50-60Hz
工作温度	Operating temperature	-20-70℃
负载电流安全系数 load current safety factor	阻性负载取(resistive load)	40-50%
	感性负载取(inductive load)	20-30%

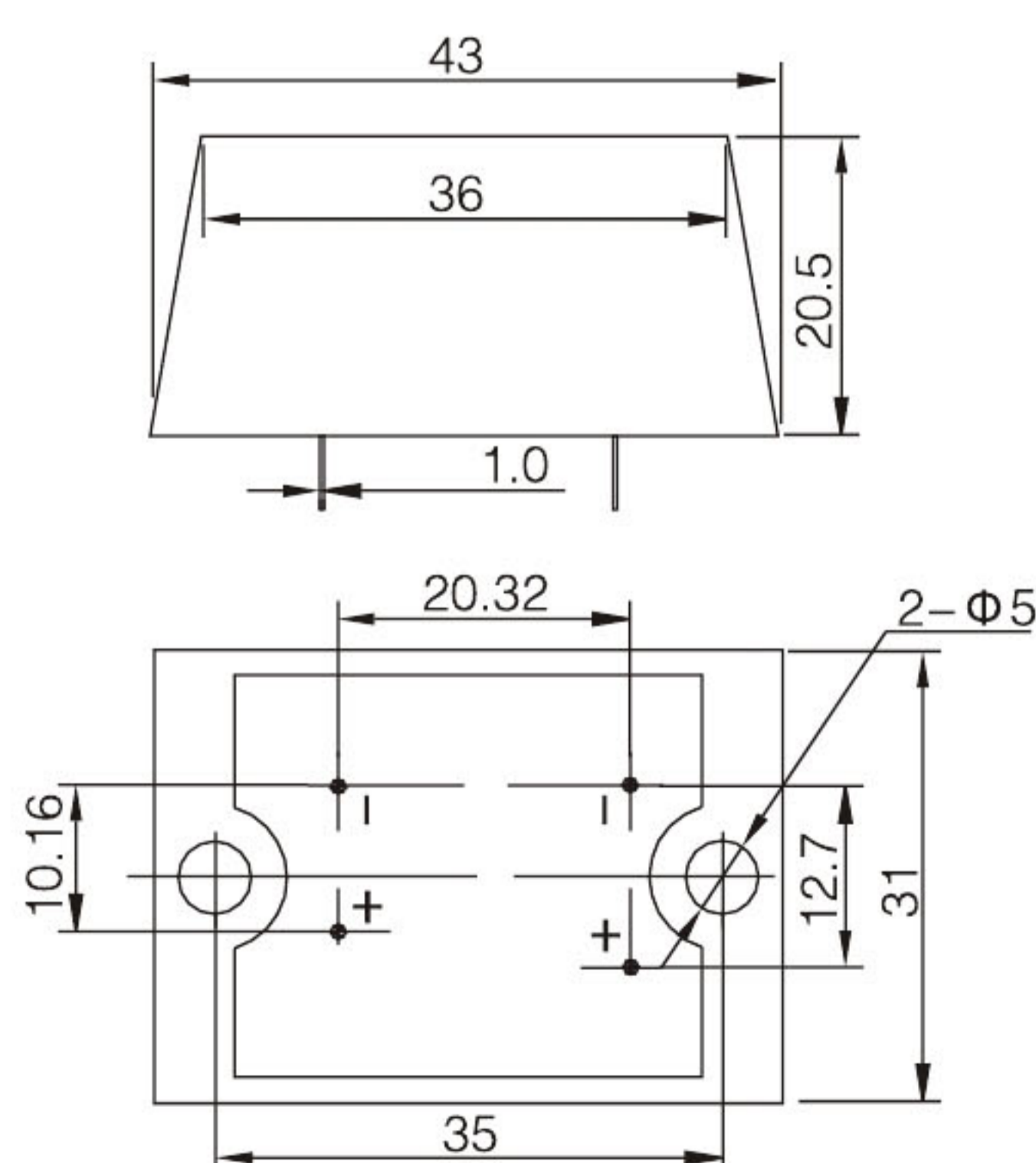
## □特性曲线 Characteristic curve



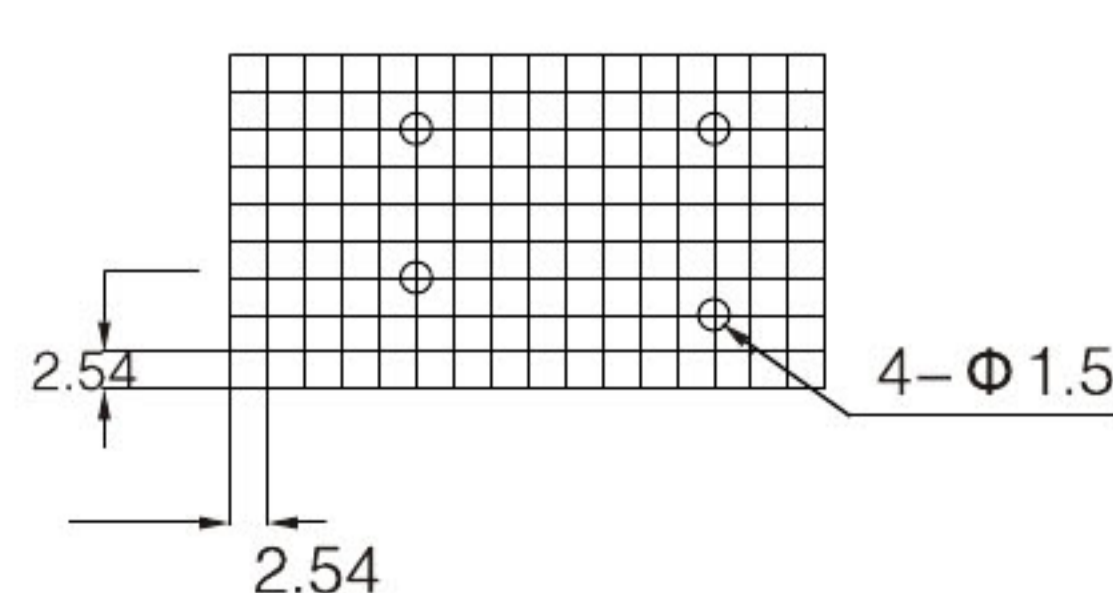
## □外形尺寸及接线图

### Outshape dimensions & Connection Diagram

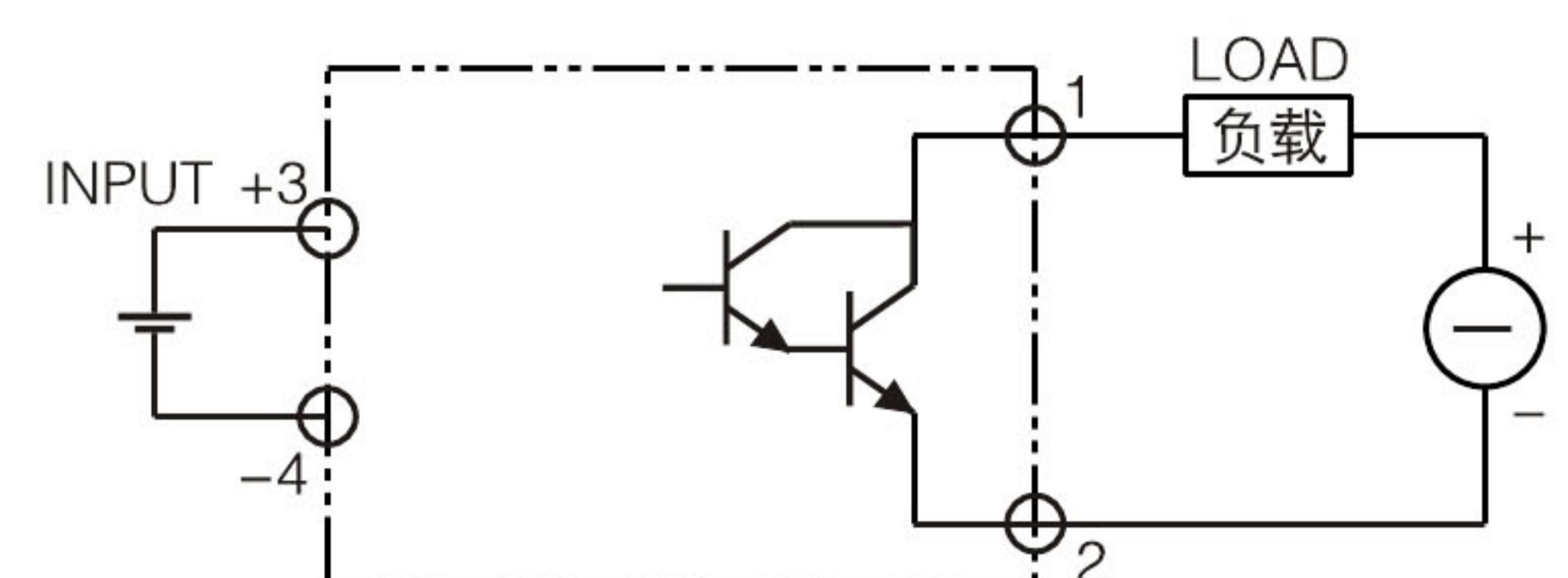
- 外形及安装尺寸图(单位: mm)  
Dimensions diagram of the Outshape and mount



- PCB板尺寸  
Size of PCB Board  
(Bottom view)



- 端子接线图 Connection Diagram





## 特点 Features

- 螺栓安装-卧式 直流固态继电器
  - 专利设计
  - IGBT/场效应管 常开输出
  - DC-DC 直流信号控制直流负载
  - 变压器隔离
  - SMD贴装工艺
  - LED 指示工作状态
- Bolt Installation-Horizontal Type DC Solid State Relay
  - Patent design
  - IGBT/MOSFET NO output
  - DC-DC DC Singnal control DC load
  - Transformer Isolation
  - SMD mount technology
  - LED Status Indicator

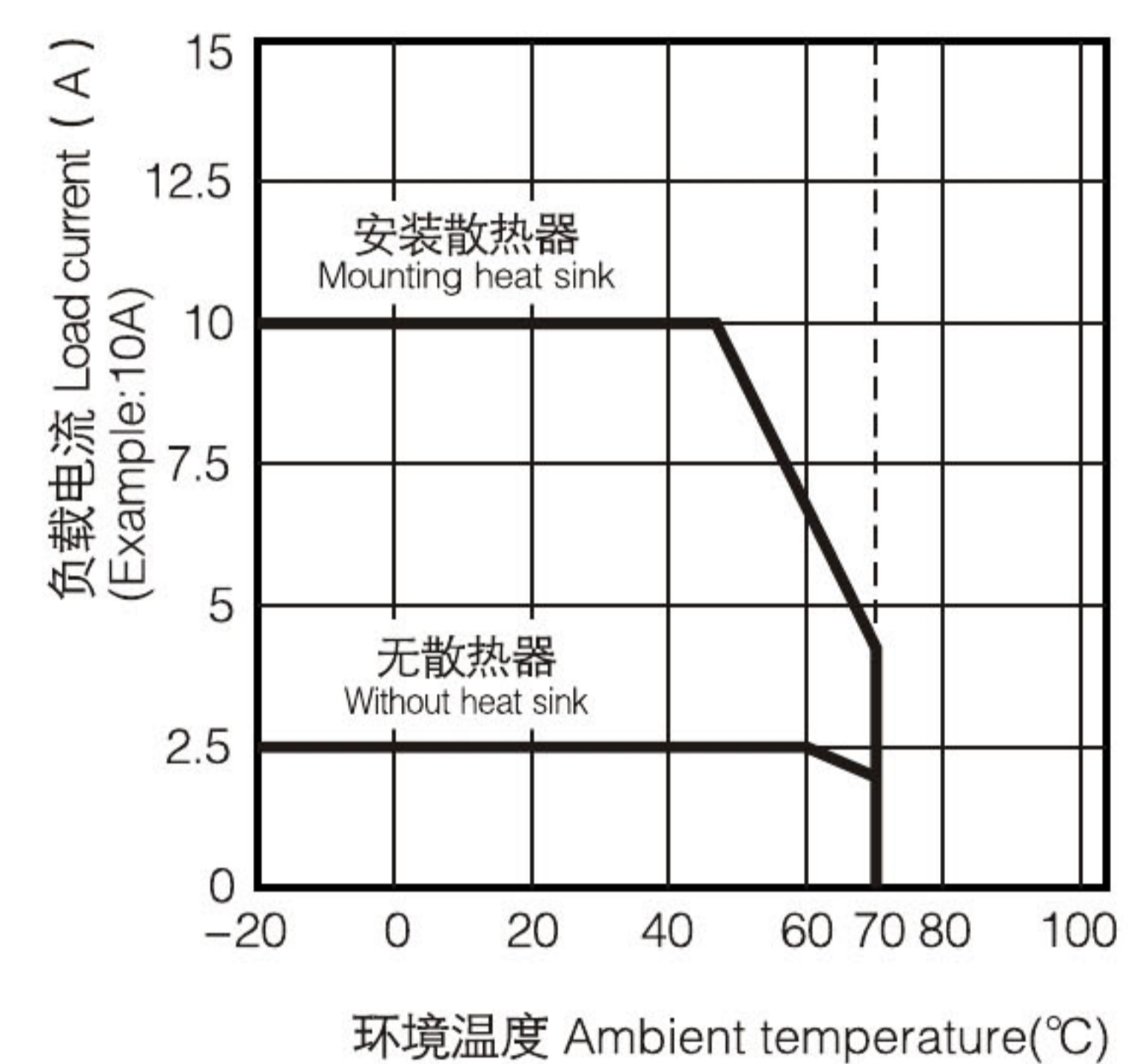


## 技术参数 Technical Specification

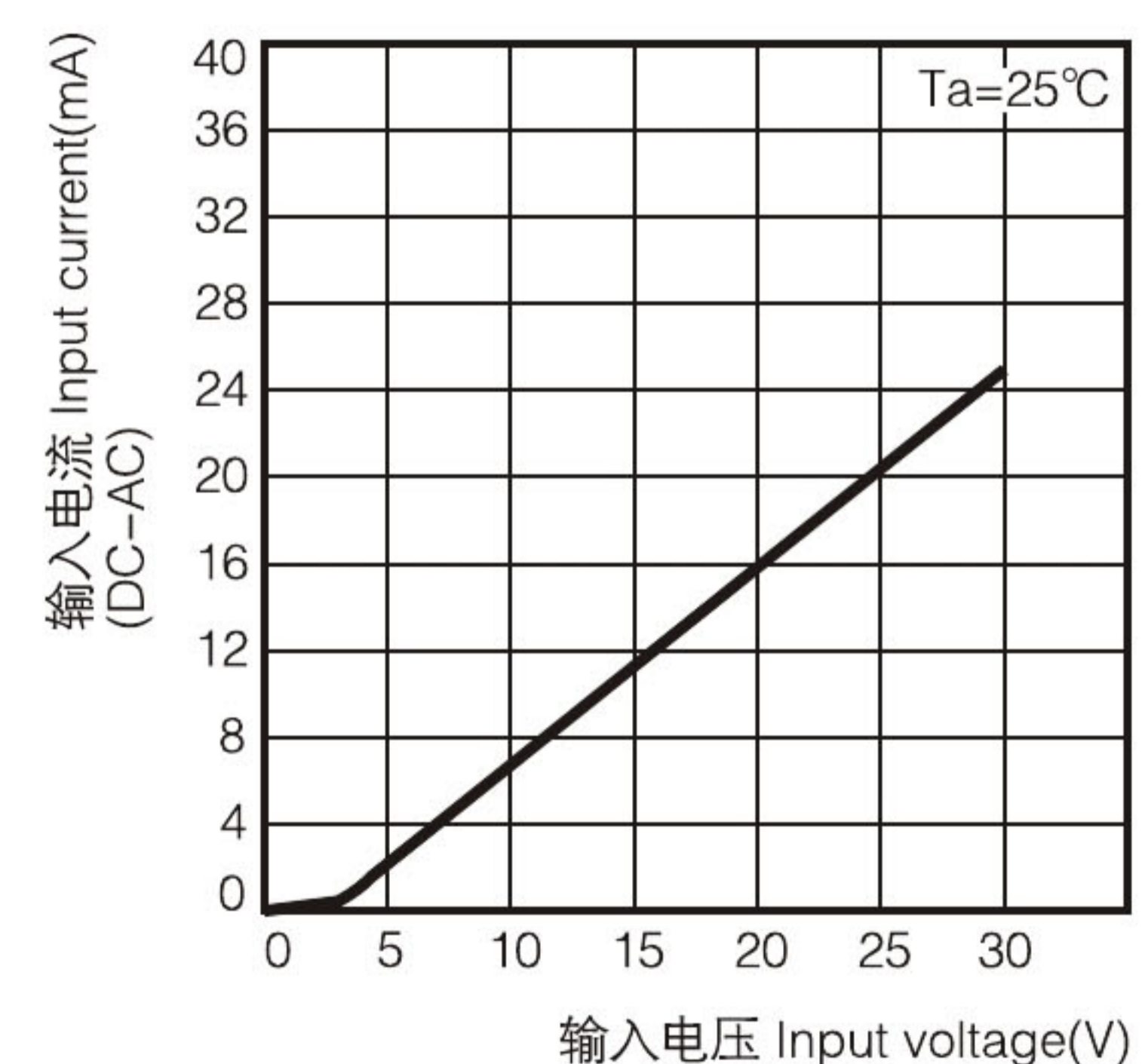
产品型号	Product model	XSSR-DD□□W1
控制电压	Control voltage	5-30VDC
控制电流	Control current	4-25mA
反向电压	Reverse voltage	30VDC
保证关闭电压	Guarantee close voltage	1.5VDC
保证开通电压	Guarantee open voltage	3VDC
负载电压	Load voltage	12-250VDC 12-400VDC
负载最大电流	Load max current	5A-40A
负载最小电流	Load mini current	0.06A
通态压降	Breakover voltage	≤1.8VDC
输出漏电流	Output leakage current	≤1mA
介质耐压	Medium withstand voltage	≥2500VAC
绝缘电阻	Insulating resistance	≥100MΩ
开关时间	Switching time	≤5mS
工作温度	Operating temperature	-20-70°C
负载电流安全系数	load current safety factor	阻性负载取(resistive load)40-50% 感性负载取(inductive load)20-30%

## 特性曲线 Characteristic curve

负载电流-环境温度  
Load current- Ambient temperature



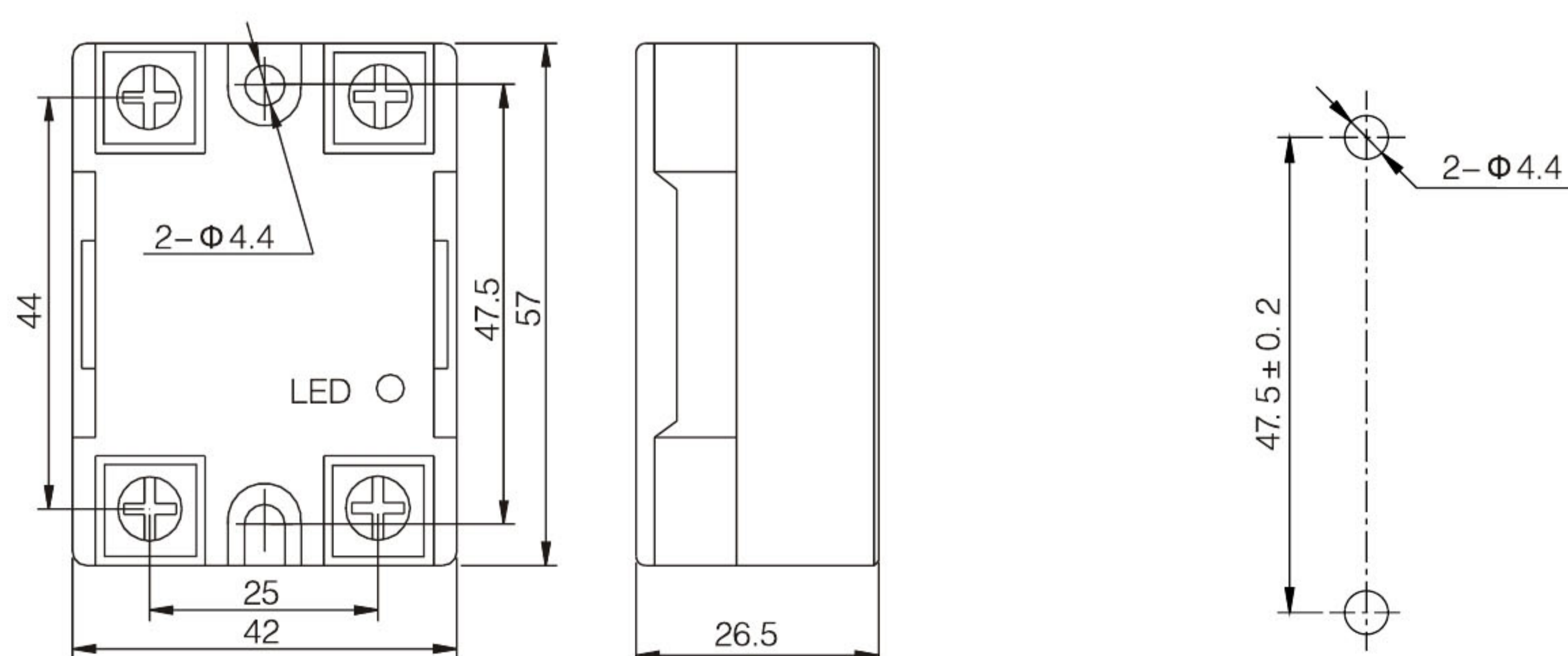
输入电压-输入电流  
Input voltage-Input current



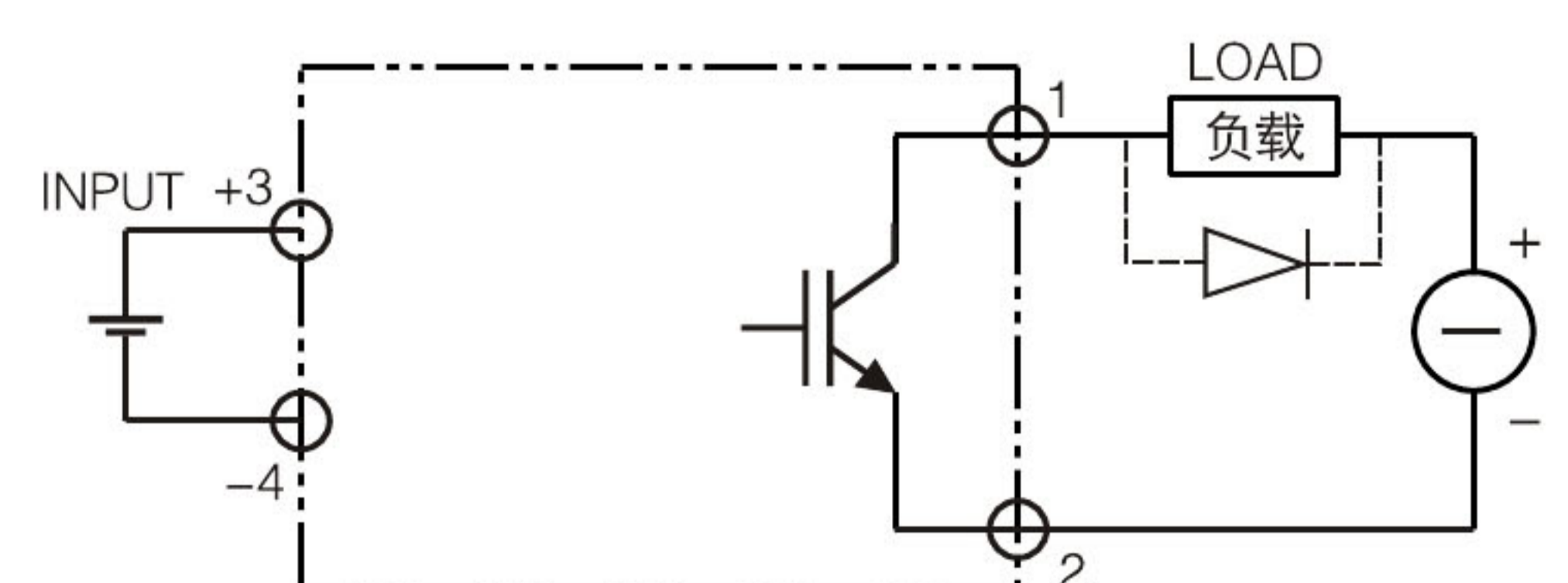
## 外形尺寸及接线图

### Outshape dimensions & Connection Diagram

- 外形及安装尺寸图(单位: mm)  
Dimensions diagram of the Outshape and mount



### 端子接线图 Connection Diagram



## 特点 Features

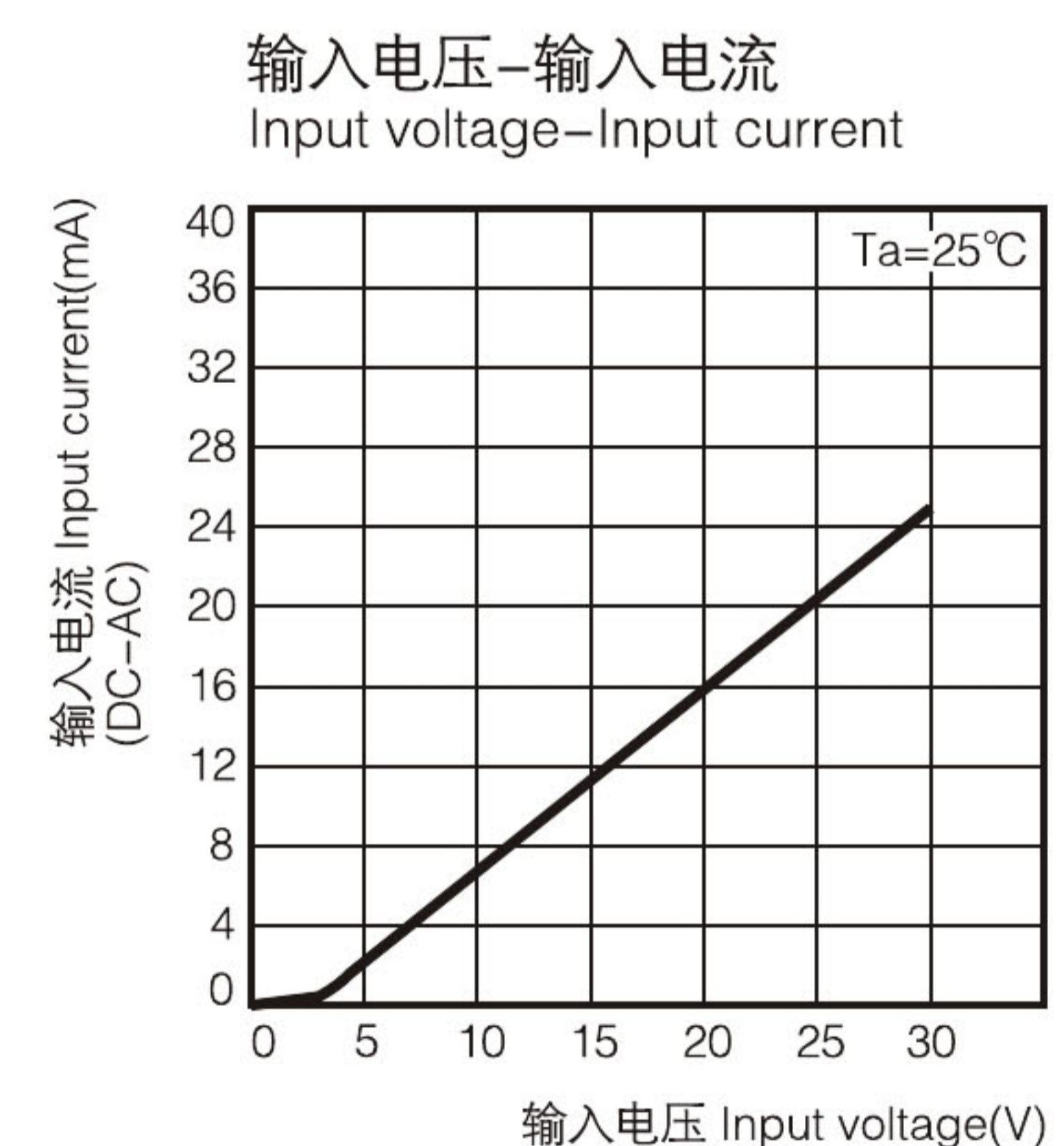
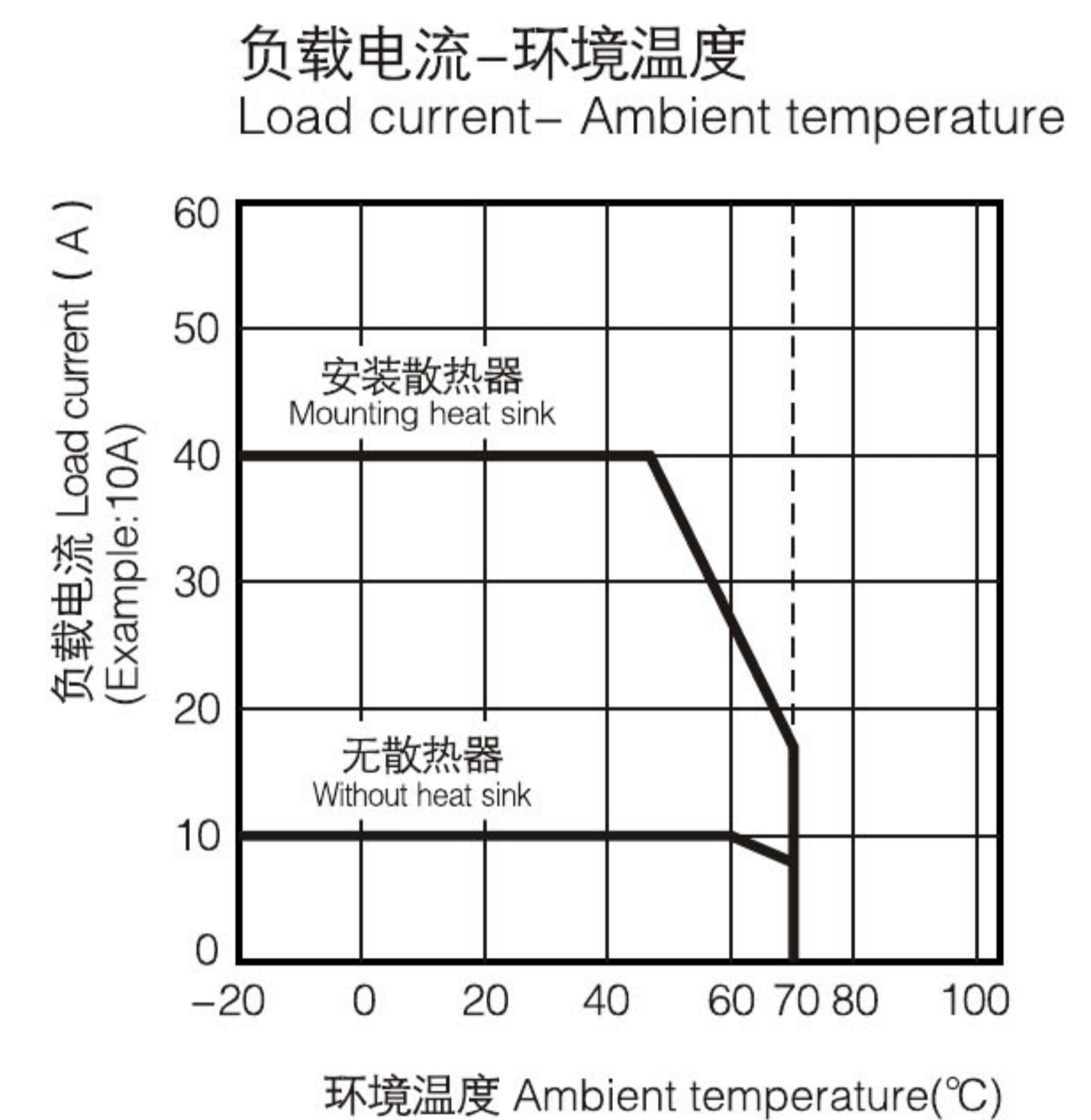
- 螺栓安装-卧式 直流固态继电器  
专利设计  
IGBT/场效应管 常开输出  
DC-DC 直流信号控制直流负载  
变压器隔离  
LED 指示工作状态
- Bolt Installation-Horizontal Type DC Solid State Relay  
Patent design  
IGBT/MOSFET NO output  
DC-DC DC Singnal control DC load  
Transformer Isolation  
LED Status Indicator



## 技术参数 Technical Specification

产品型号	Product model	XSSR-DD□□W2
控制电压	Control voltage	5-30VDC
控制电流	Control current	4-25mA
反向电压	Reverse voltage	30VDC
保证关闭电压	Guarantee close voltage	1.5VDC
保证开通电压	Guarantee open voltage	3VDC
负载电压	Load voltage	12-250VDC 12-400VDC
负载最大电流	Load max current	10A-120A
负载最小电流	Load mini current	0.08A
通态压降	Breakover voltage	≤2VDC
输出漏电流	Output leakage current	≤1mA
介质耐压	Medium withstand voltage	≥2500VAC
绝缘电阻	Insulating resistance	≥100MΩ
开关时间	Switching time	≤5mS
工作温度	Operating temperature	-20-70°C
负载电流安全系数	load current safety factor	阻性负载取(resistive load)40-50% 感性负载取(inductive load)20-30%

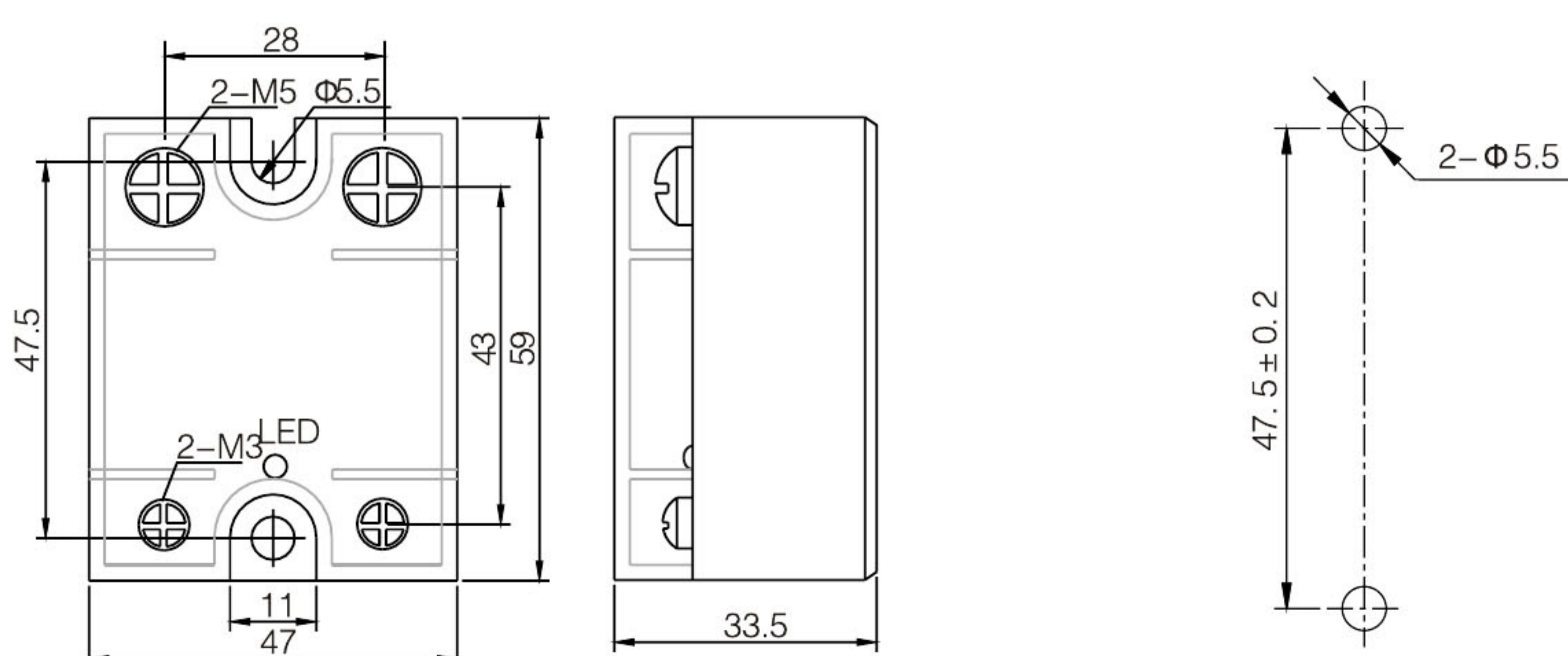
## 特性曲线 Characteristic curve



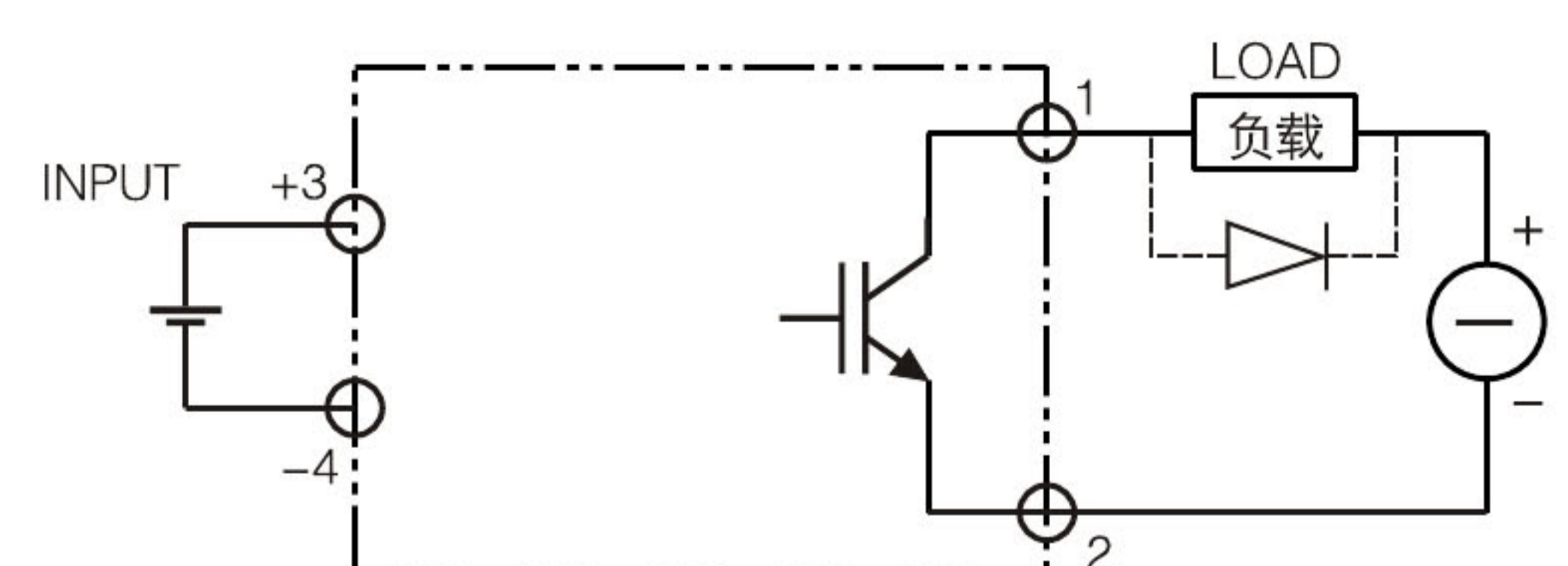
## 外形尺寸及接线图

### Outshape dimensions & Connection Diagram

- 外形及安装尺寸图(单位: mm)  
Dimensions diagram of the Outshape and mount

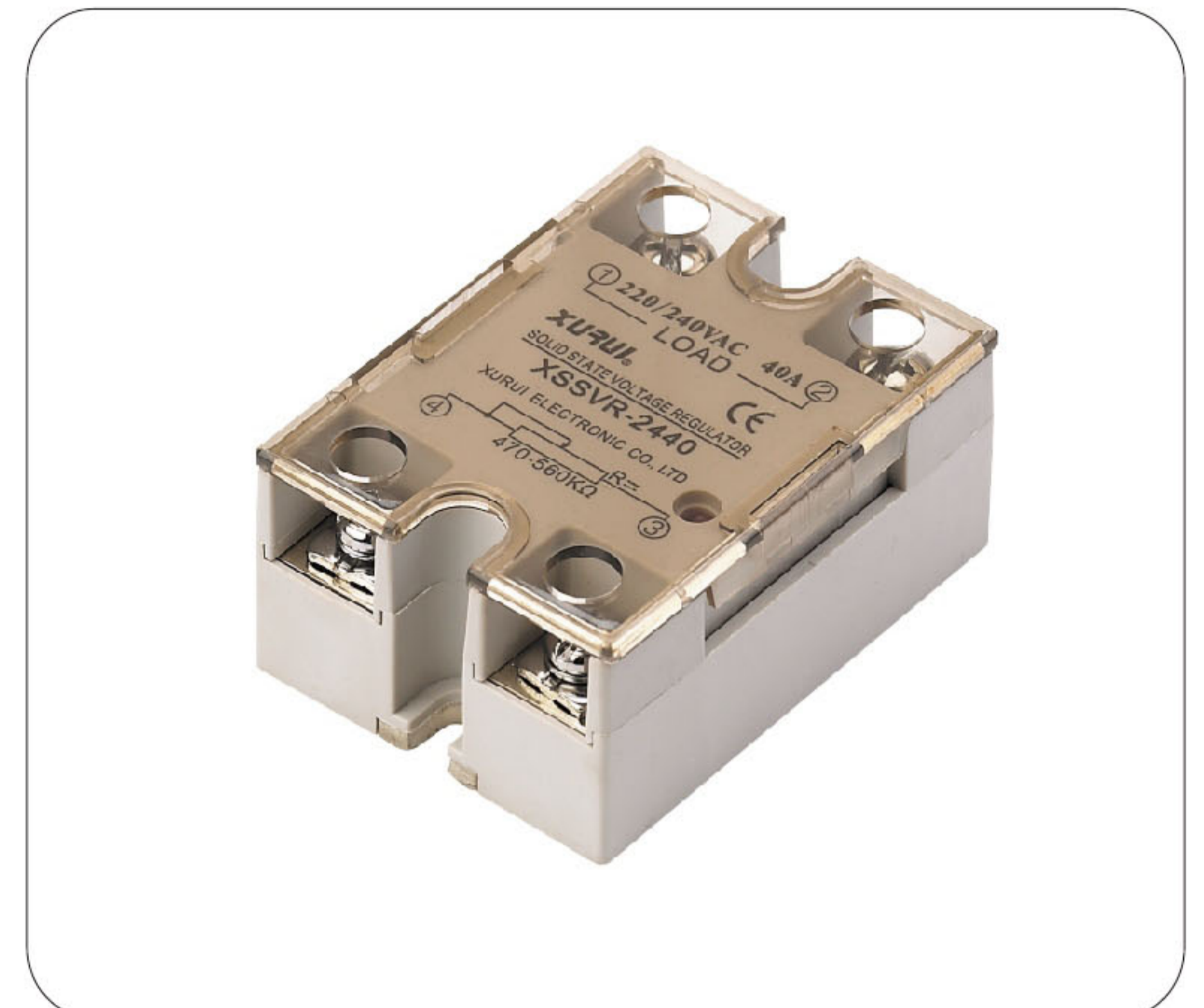


### 端子接线图 Connection Diagram



### 特点 Features

- 螺栓安装-卧式 调阻型单相交流固态调压器  
双向可控硅移相输出  
电位器调节输出功率  
LED 指示工作状态
- Bolt Installation-Horizontal Type  
Adjusting Resistance type Single-phase SSVR  
Traic phase shift output  
Potentionmeter adjustment output Power  
LED Status Indicator

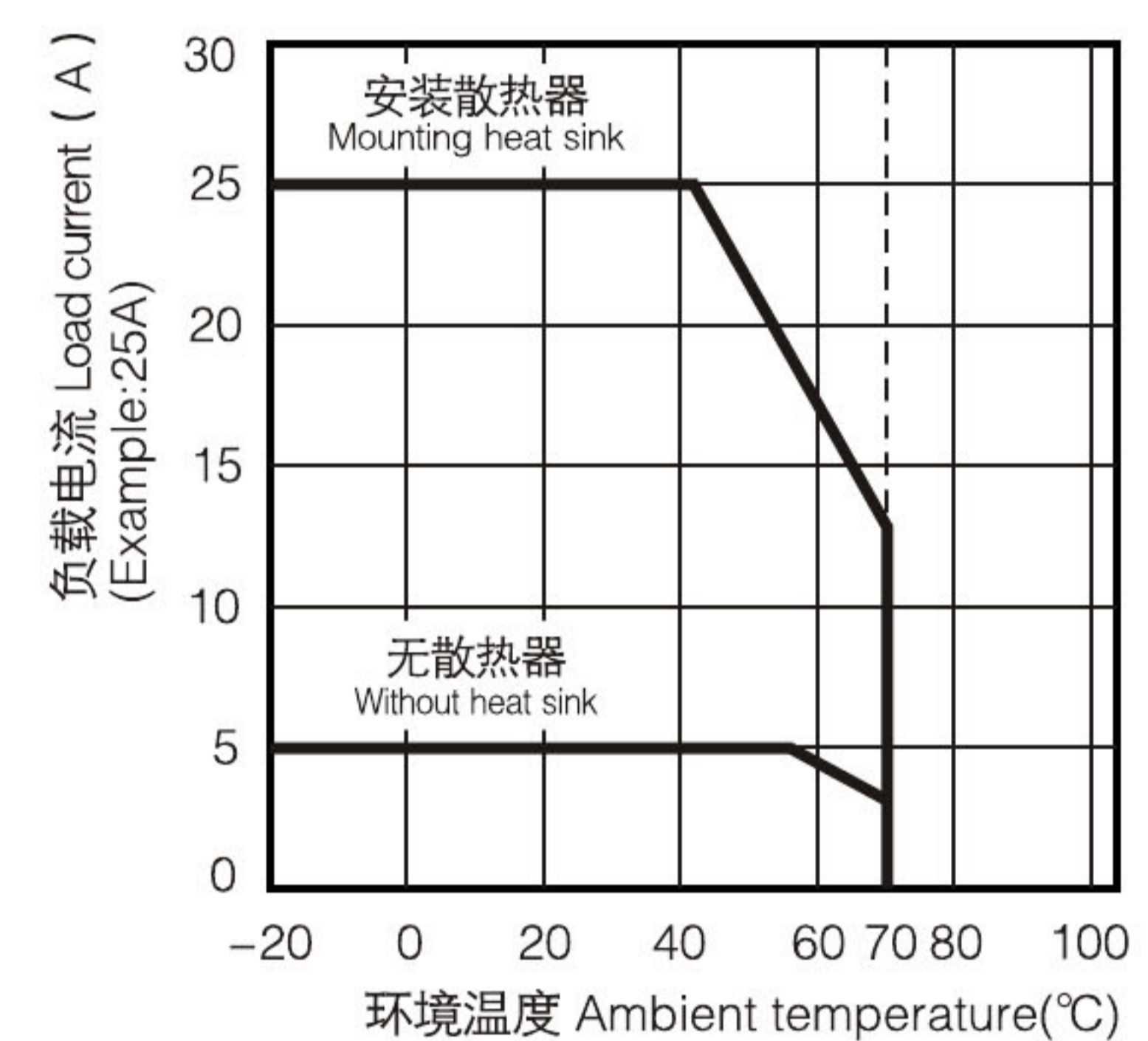


### 技术参数 Technical Specification

产品型号	Product model	XSSVR-□□W1
外接调整电位器	External potentionmeter	470-560kΩ/0.5-2W
导通角范围	Guarantee open voltage	0-170°
负载电压	Load voltage	0-240V/380VAC 0-480VAC
负载最大电流	Load max current	10A-40A
负载最小电流	Load mini current	0.05A
通态压降	Breakover voltage	≤2VAC
输出漏电流	Output leakage current	≤1mA
介质耐压	Medium withstand voltage	≥2500VAC
绝缘电阻	Insulating resistance	≥100MΩ
频率范围	Frequency range	50-60Hz
工作温度	Operating temperature	-20-70°C
负载电流安全系数	load current safety factor	阻性负载取(resistive load)50-60% 感性负载取(inductive load)30-40%

### 特性曲线 Characteristic curve

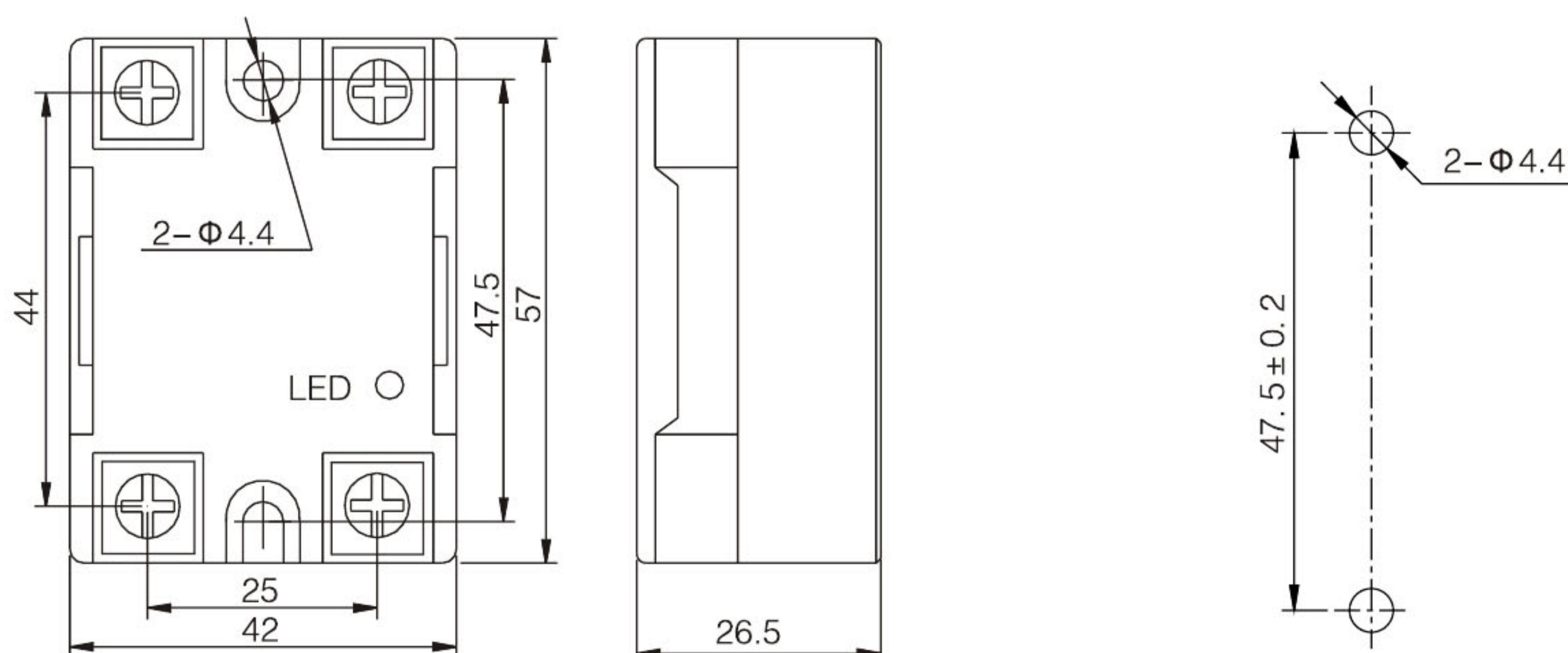
负载电流-环境温度  
Load current- Ambient temperature



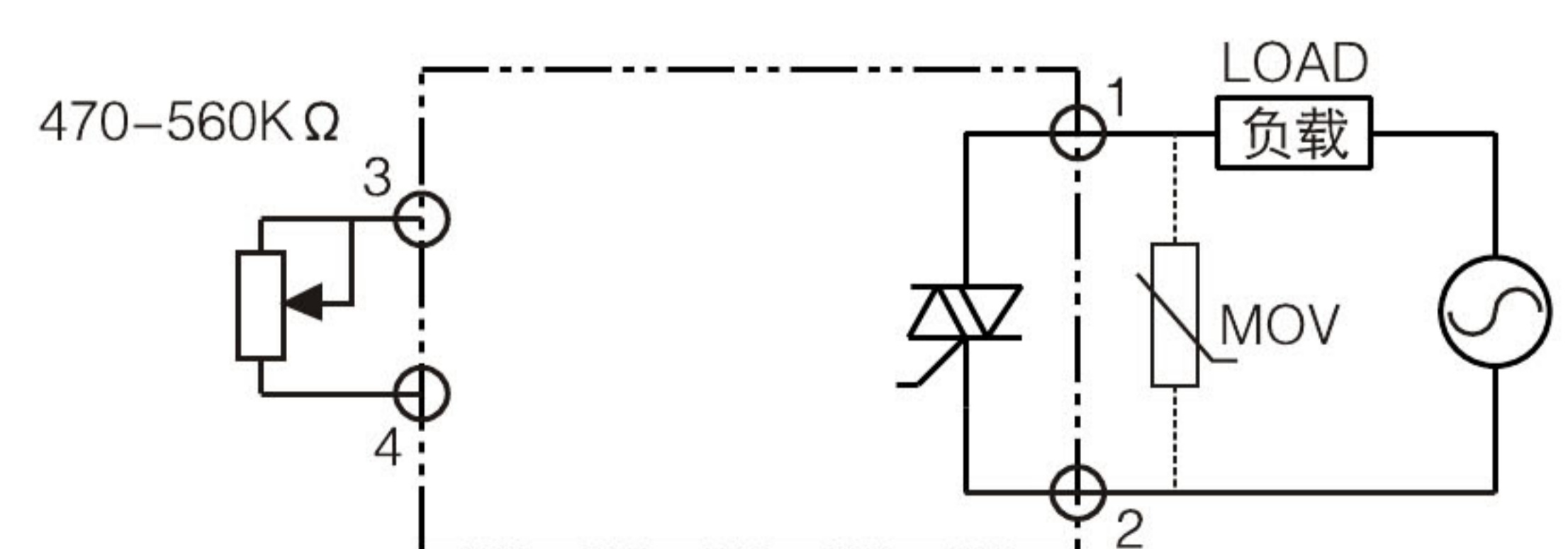
### 外形尺寸及接线图

#### Outshape dimensions & Connection Diagram

- 外形及安装尺寸图(单位: mm)  
Dimensions diagram of the Outshape and mount

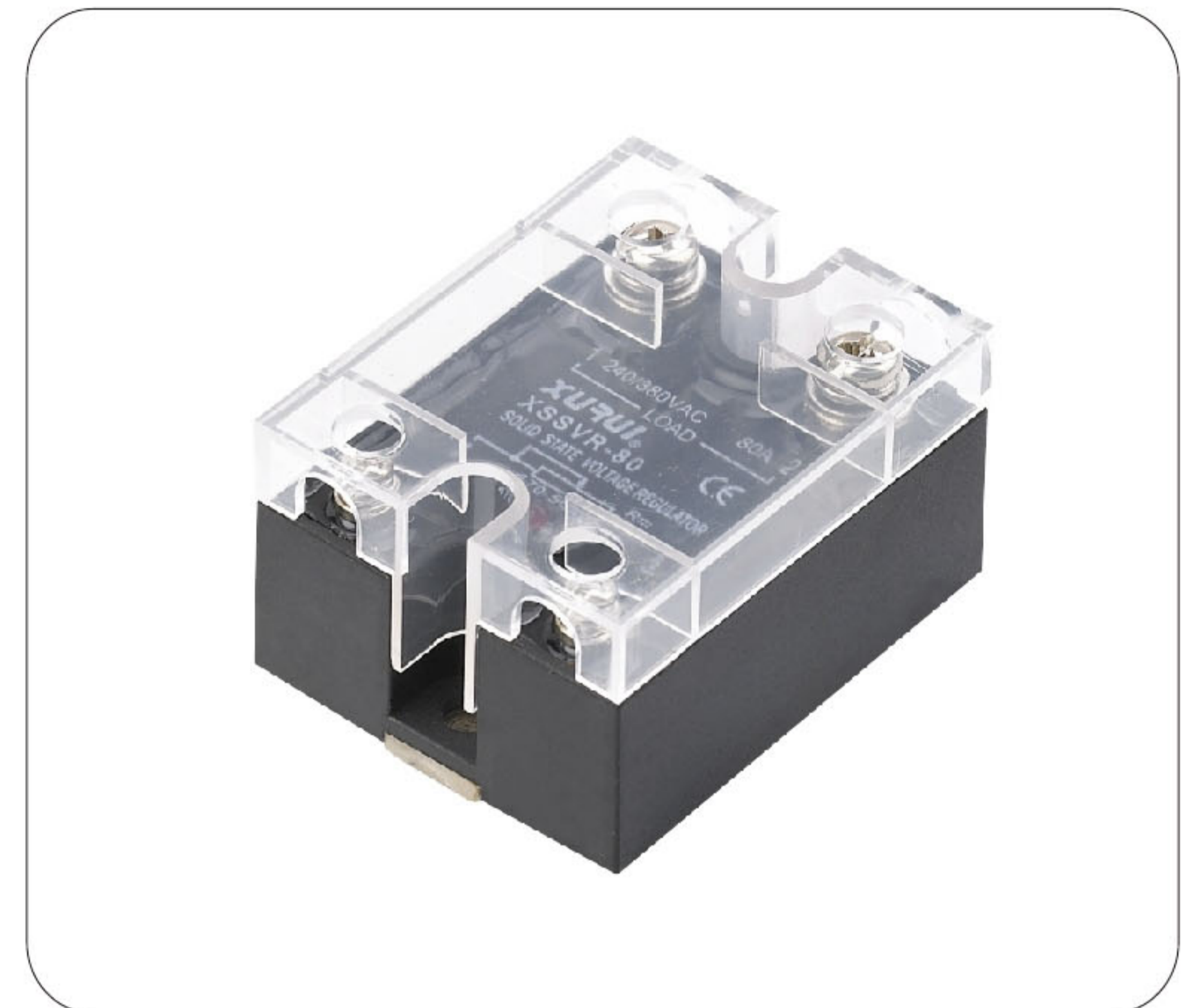


#### 端子接线图 Connection Diagram



### 特点 Features

- 螺栓安装-卧式 调阻型单相交流固态调压器
- 双向可控硅移相输出
- 电位器调节输出功率
- LED 指示工作状态
- Bolt Installation-Horizontal Type
- Adjusting Resistance type Single-phase SSVR
- Traic phase shift output
- Potionmeter adjustment output Power
- LED Status Indicator

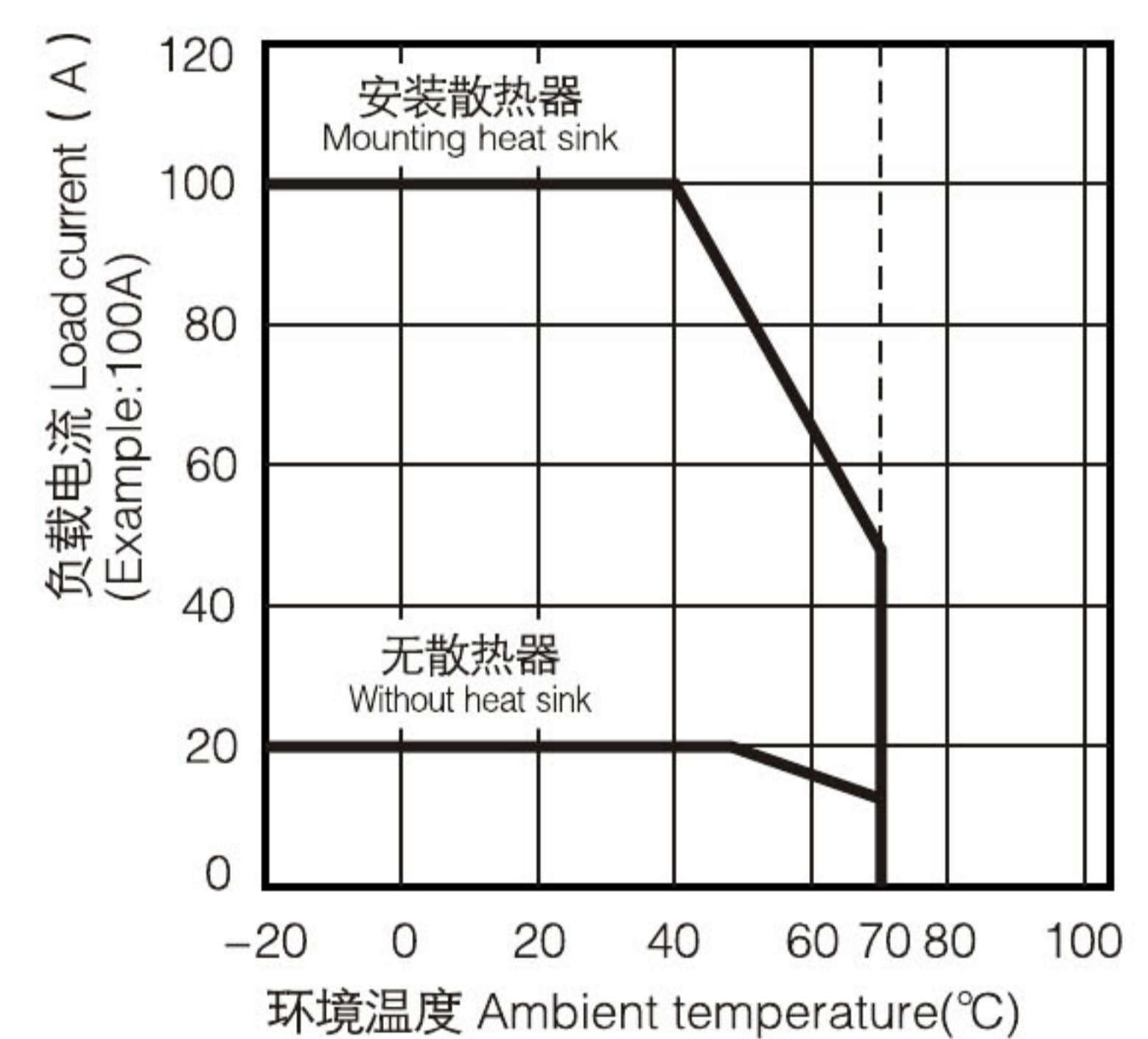


### 技术参数 Technical Specification

产品型号	Product model	XSSVR-□□W2
外接调整电位器	External potentionmeter	470-560kΩ/0.5-2W
导通角范围	Guarantee open voltage	0-170°
负载电压	Load voltage	0-240V/380VAC 0-480VAC
负载最大电流	Load max current	50A-200A
负载最小电流	Load mini current	0.05A
通态压降	Breakover voltage	≤2VAC
输出漏电流	Output leakage current	≤1mA
介质耐压	Medium withstand voltage	≥2500VAC
绝缘电阻	Insulating resistance	≥100MΩ
频率范围	Frequency range	50-60Hz
工作温度	Operating temperature	-20-70°C
负载电流安全系数 load current safety factor		阻性负载取(resistive load)50-60%
		感性负载取(inductive load)30-40%

### 特性曲线 Characteristic curve

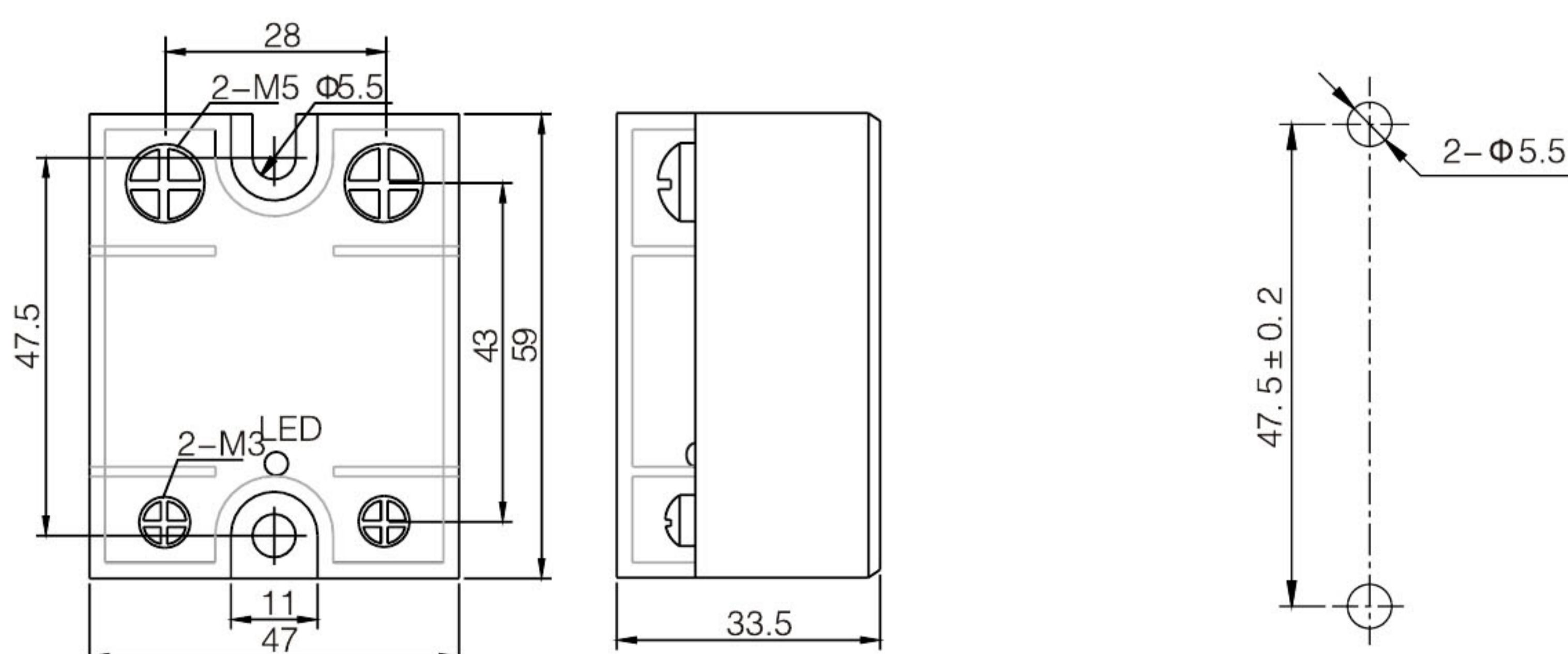
负载电流-环境温度  
Load current- Ambient temperature



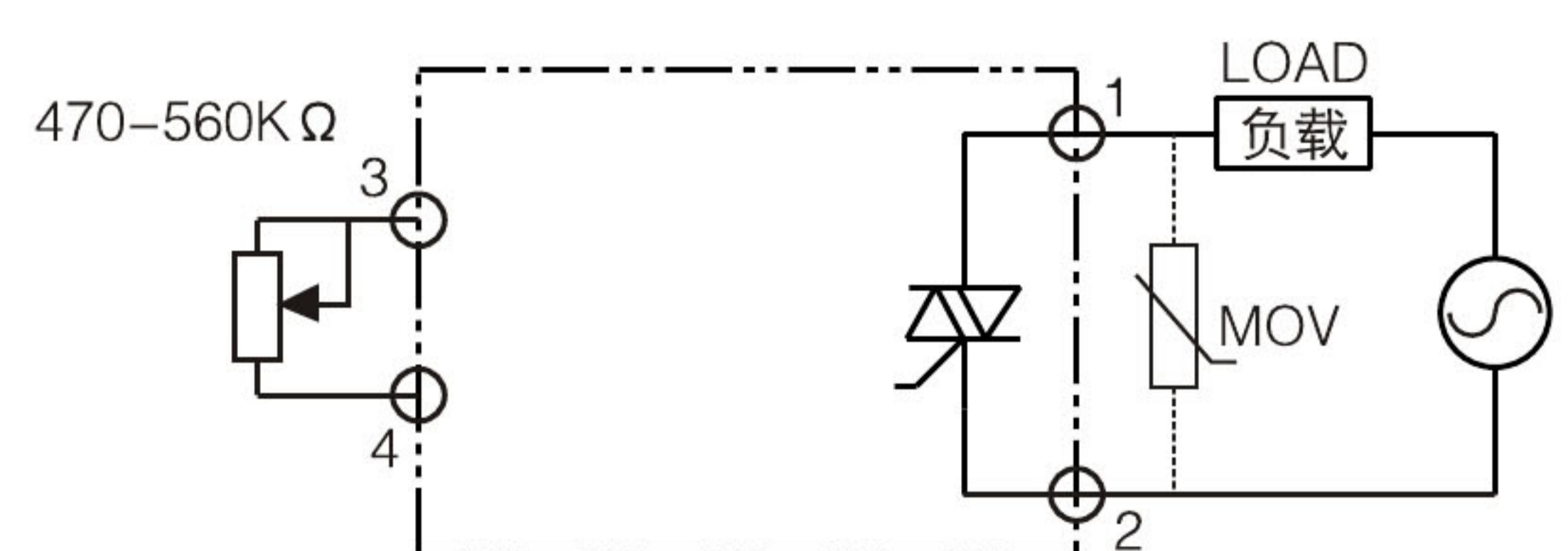
### 外形尺寸及接线图

#### Outshape dimensions & Connection Diagram

- 外形及安装尺寸图(单位: mm)
- Dimensions diagram of the Outshape and mount



#### 端子接线图 Connection Diagram



### 特点 Features

- 螺栓安装-卧式 三相交流固态继电器
  - 双向可控硅/单向可控硅反并联 常开输出
  - DC-AC 直流信号控制交流负载/AC-AC 交流信号控制交流负载
  - 光电器件隔离
  - 过零/随机触发形式
  - 内置RC吸收回路
  - LED 指示工作状态
- Bolt Installation-Horizontal Type Three phase AC Solid State Relay
  - Triac/One-way SCR antiparallel NO output
  - DC-AC DC Signal control AC load /AC-AC AC Signal control AC load
  - Optoelectronic devices Isolation
  - Zero crossing / Random Trigger Form
  - Built-in RC absorbing circuit
  - LED Status Indicator



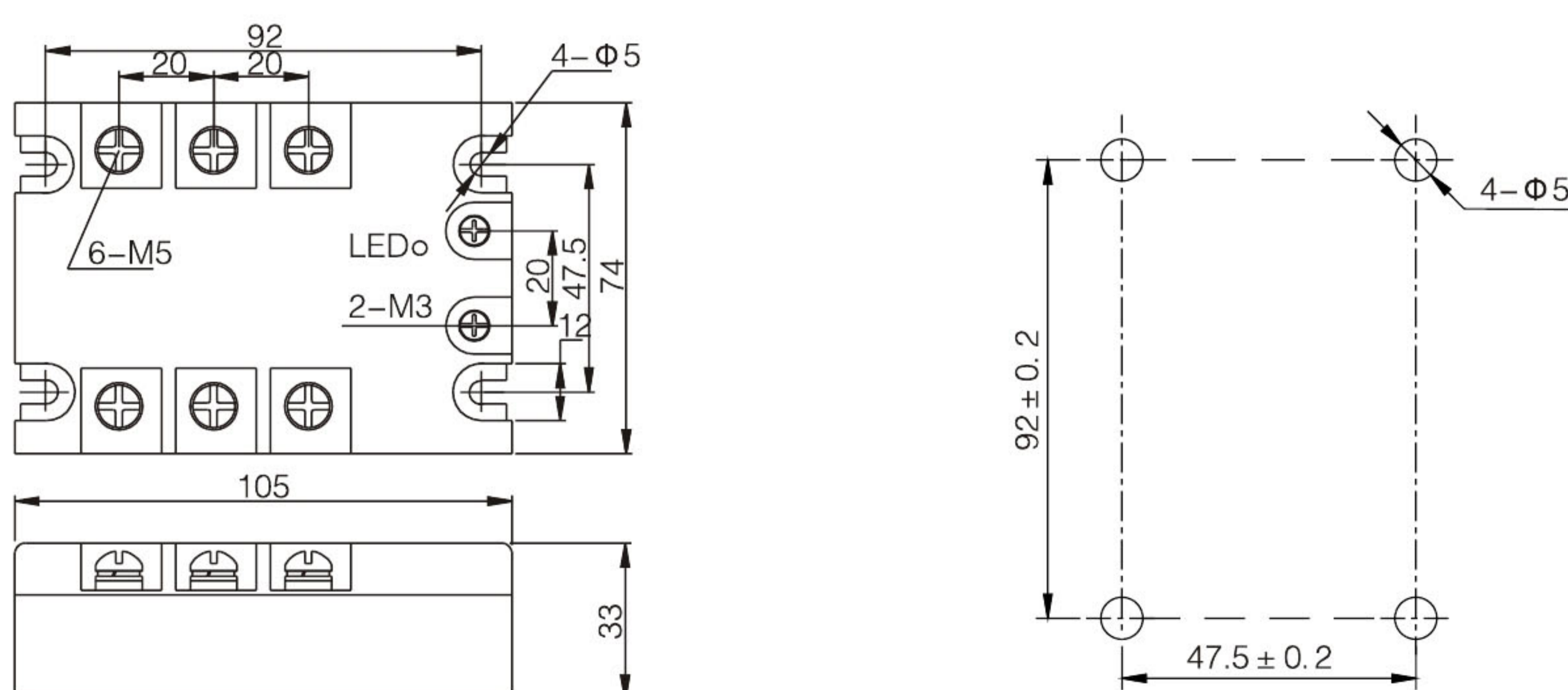
### 技术参数 Technical Specification

产品型号	Product model	XSSR-3DA□□W3	XSSR-3AA□□W3
控制电压	Control voltage	3-32VDC	80-250VAC
控制电流	Control current	10-30mA	10-30mA
反向电压	Reverse voltage	32VDC	/
保证关闭电压	Guarantee close voltage	1VDC	30VAC
保证开通电压	Guarantee open voltage	3VDC	80VAC
负载电压	Load voltage	24-480VAC	
负载最大电流	Load max current	10A-75A	
负载最小电流	Load mini current	0.06A	
通态压降	Breakover voltage	≤ 1.6VAC	
输出漏电流	Output leakage current	≤ 8mA	
介质耐压	Medium withstand voltage	≥ 2500VAC	
绝缘电阻	Insulating resistance	≥ 100MΩ	
开关时间	Switching time	≤ 10mS	
频率范围	Frequency range	50-60Hz	
工作温度	Operating temperature	-20-70°C	
负载电流安全系数	load current safety factor	阻性负载取(resistive load)50-60%	
		感性负载取(inductive load)30-40%	

### 外形尺寸及接线图

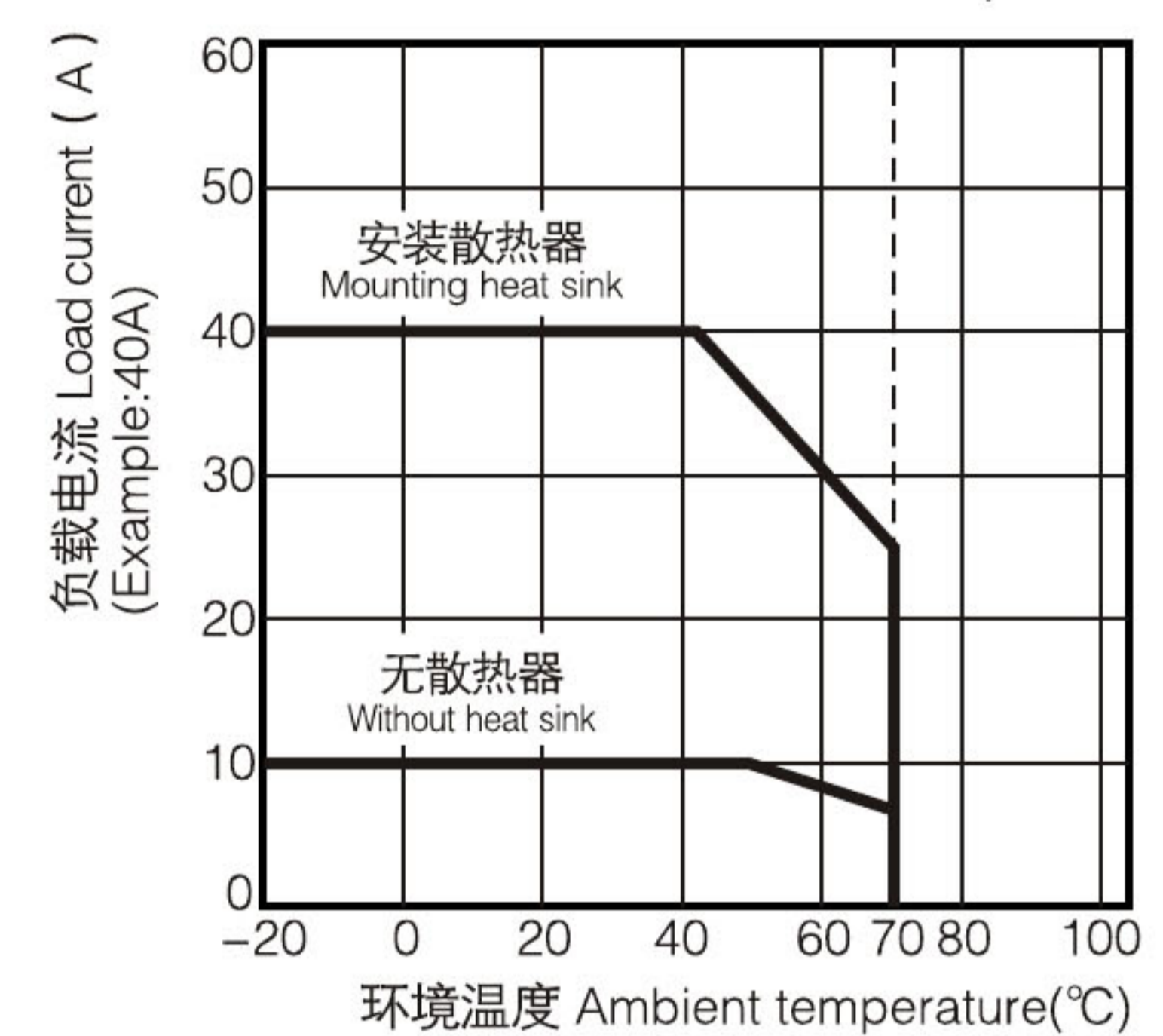
#### Outshape dimensions & Connection Diagram

- 外形及安装尺寸图(单位: mm)  
Dimensions diagram of the Outshape and mount

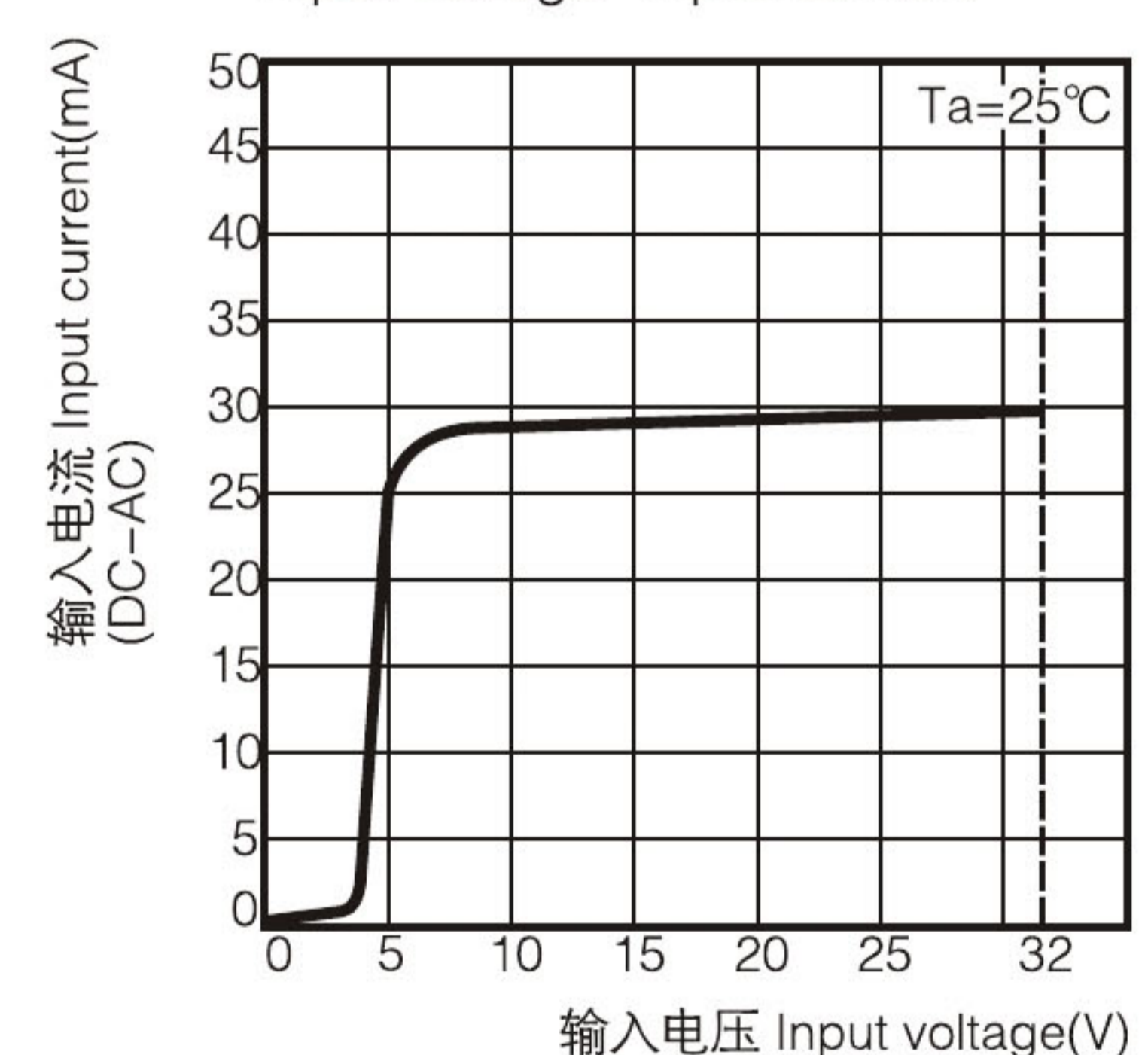


### 特性曲线 Characteristic curve

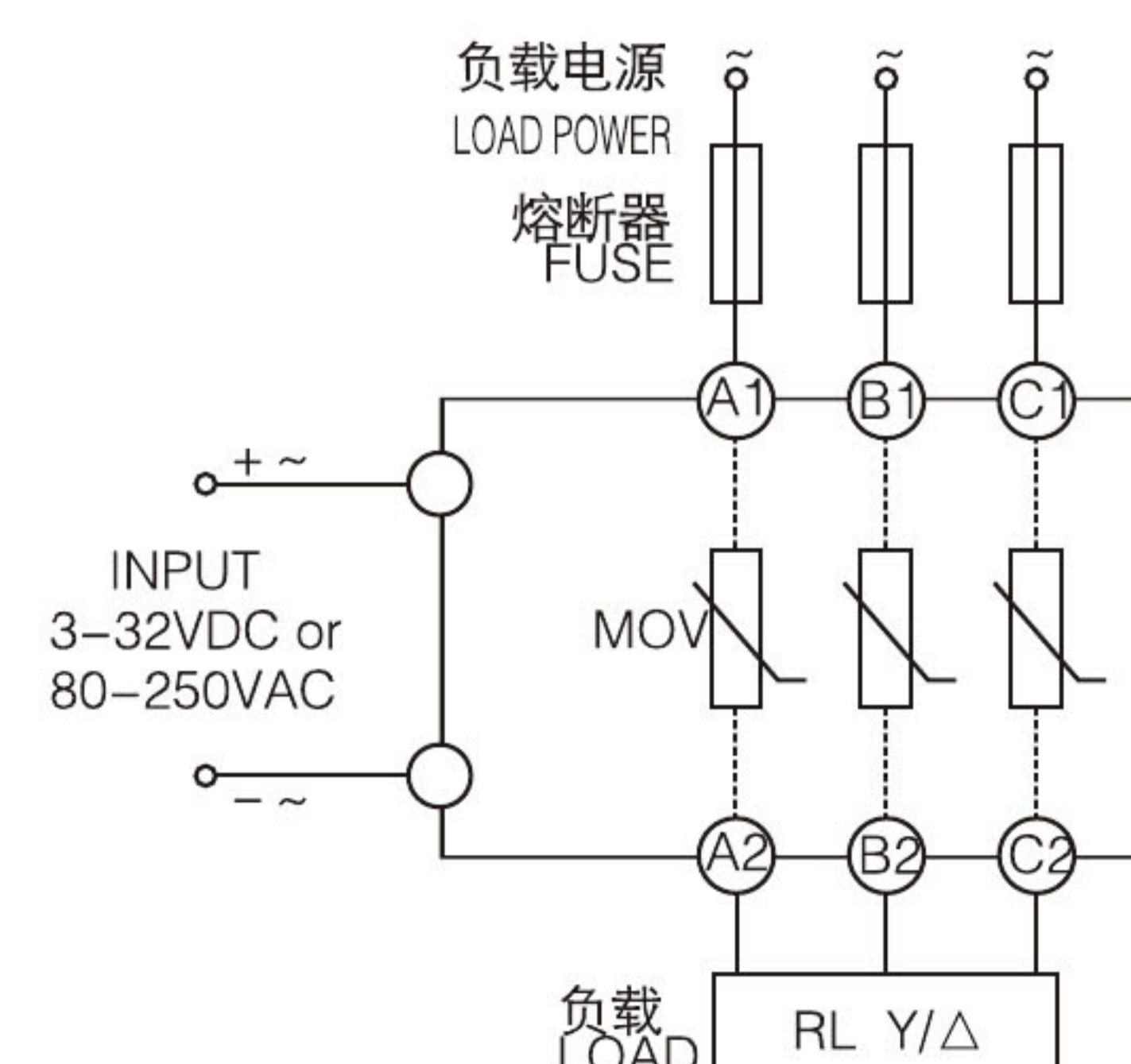
负载电流-环境温度  
Load current- Ambient temperature



输入电压-输入电流  
Input voltage-Input current



### 端子接线图 Connection Diagram



## 特点 Features

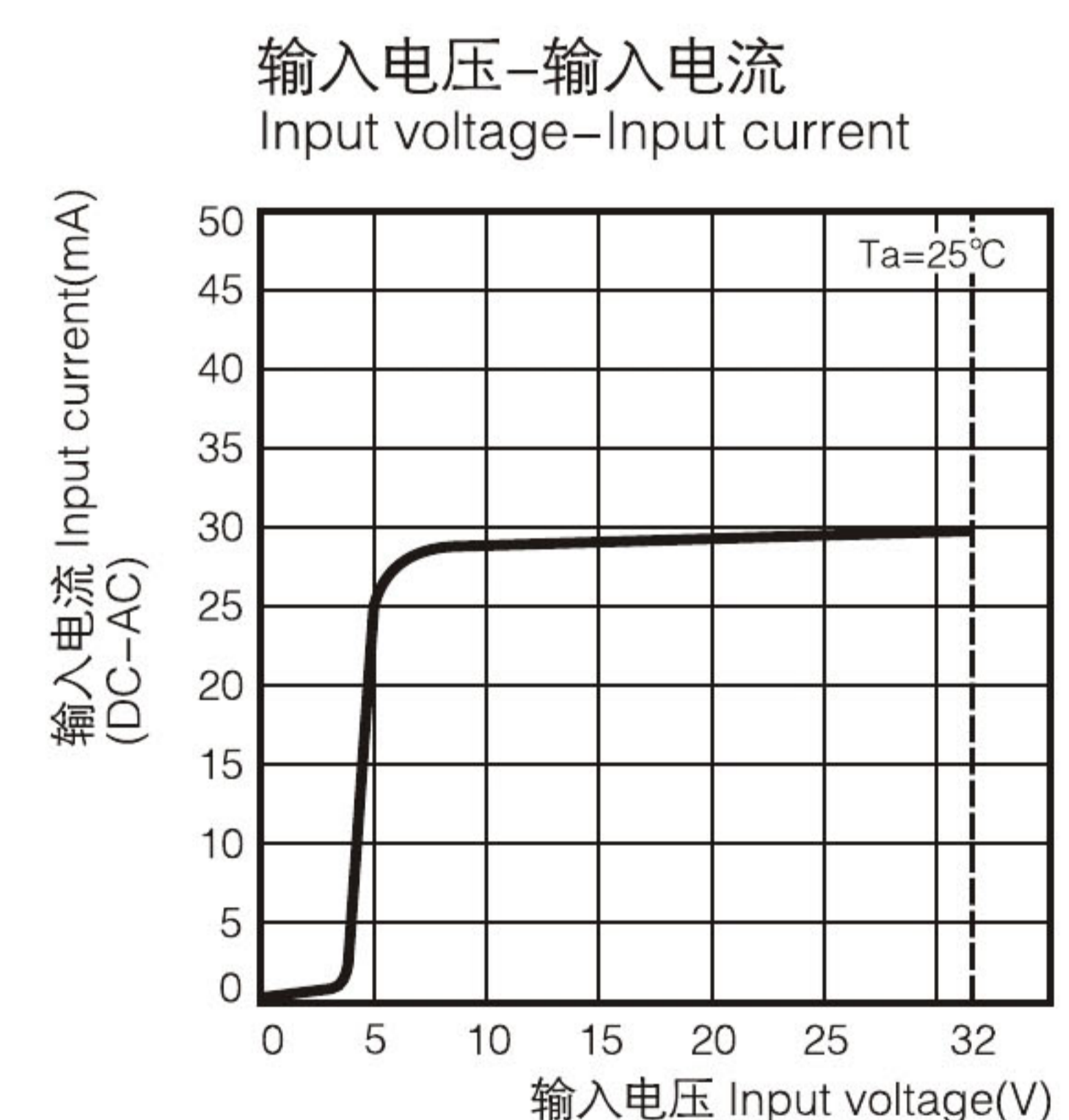
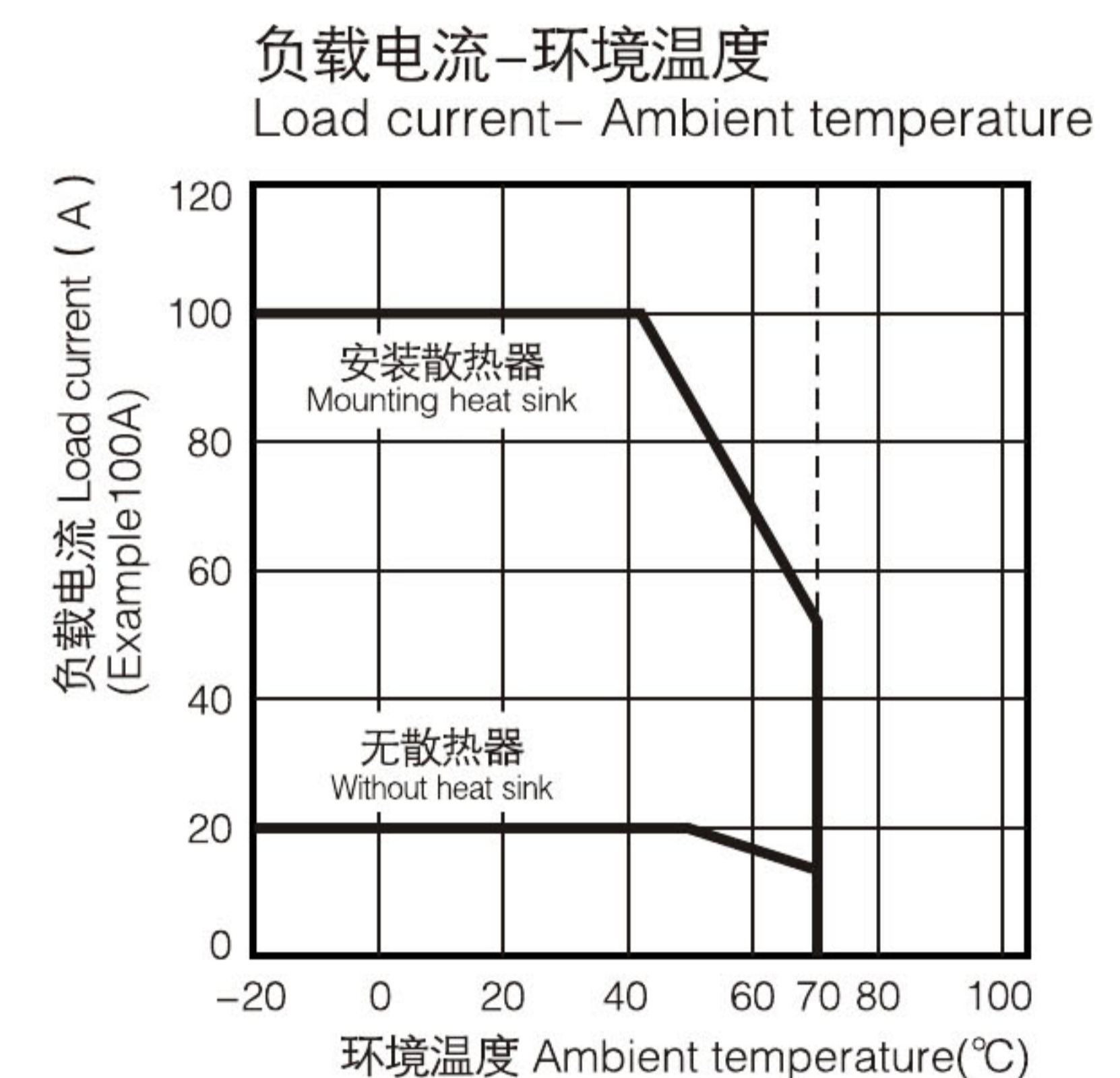
- 螺栓安装-卧式 三相交流固态继电器
- 单向可控硅芯片反并联 常开输出
- DC-AC 直流信号控制交流负载/AC-AC 交流信号控制交流负载
- 光电器件隔离
- 过零/随机触发形式
- SMD贴装工艺
- 内置RC吸收回路
- LED 指示工作状态
- Bolt Installation-Horizontal Type Three phase AC Solid State Relay
- One-way SCR chip antiparallel NO output
- DC-AC DC Signal control AC load /AC-AC AC Signal control AC load
- Optoelectronic devices Isolation
- Zero crossing / Random Trigger Form
- SMD mount technology
- Built-in RC absorbing circuit
- LED Status Indicator



## 技术参数 Technical Specification

产品型号	Product model	XSSR-3DA□□W4	XSSR-3AA□□W4
控制电压	Control voltage	3-32VDC	80-250VAC
控制电流	Control current	10-30mA	10-30mA
反向电压	Reverse voltage	32VDC	/
保证关闭电压	Guarantee close voltage	1VDC	30VAC
保证开通电压	Guarantee open voltage	3VDC	80VAC
负载电压	Load voltage	24-480VAC	
负载最大电流	Load max current	75A-200A	
负载最小电流	Load mini current	0.1A	
通态压降	Breakover voltage	≤2VAC	
输出漏电流	Output leakage current	≤8mA	
介质耐压	Medium withstand voltage	≥2500VAC	
绝缘电阻	Insulating resistance	≥100MΩ	
开关时间	Switching time	≤10mS	
频率范围	Frequency range	50-60Hz	
工作温度	Operating temperature	-20-70°C	
负载电流安全系数	load current safety factor	阻性负载取(resistive load)50-60%	
		感性负载取(inductive load)30-40%	

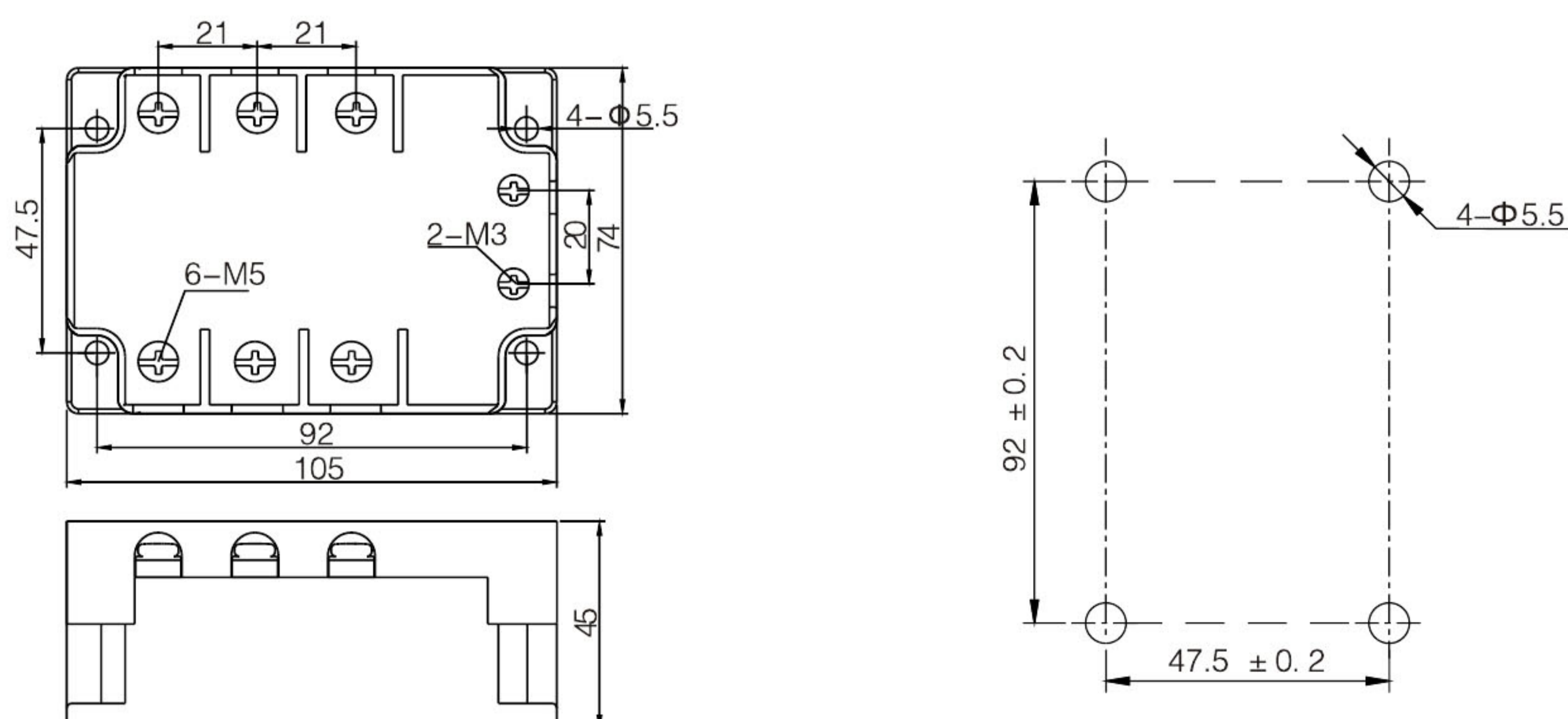
## 特性曲线 Characteristic curve



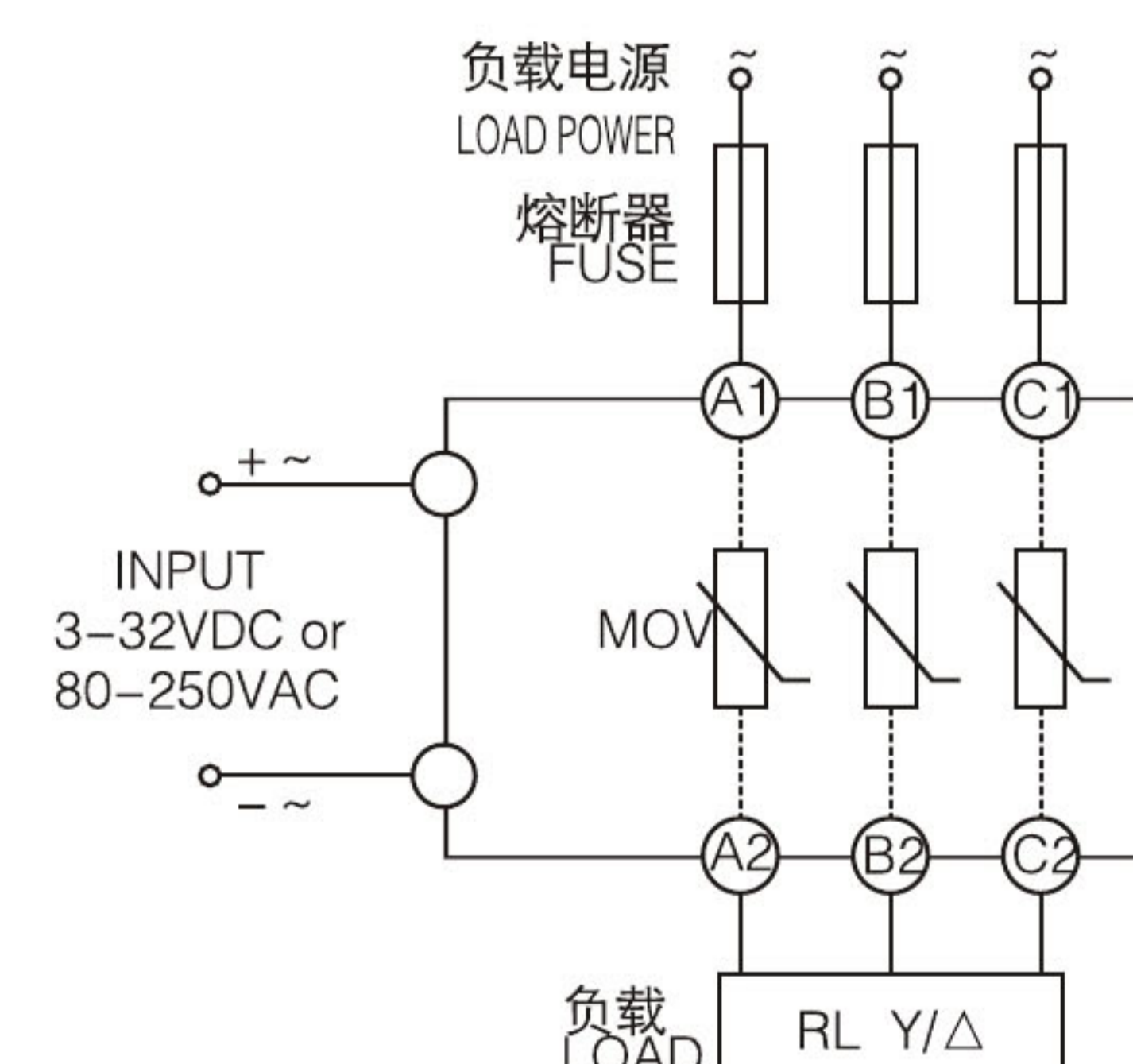
## 外形尺寸及接线图

### Outshape dimensions & Connection Diagram

- 外形及安装尺寸图(单位: mm)  
Dimensions diagram of the Outshape and mount



### 端子接线图 Connection Diagram



### 特点 Features

- 螺栓安装-卧式 三相交流固态继电器
- 专利设计
- 双向可控硅/单向可控硅反并联 常开输出
- DC-AC 直流信号控制交流负载/AC-AC 交流信号控制交流负载
- 光电器件隔离
- 过零/随机触发形式
- SMD贴装工艺
- 内置RC吸收回路
- LED 指示工作状态
- Bolt Installation-Horizontal Type Three-phase AC Solid State Relay
- Patent design
- Triac/One-way SCR antiparallel NO output
- DC-AC DC Signal control AC load /AC-AC AC Signal control AC load
- Optoelectronic devices Isolation
- Zero crossing / Random Trigger Form
- SMD mount technology
- Built-in RC absorbing circuit
- LED Status Indicator

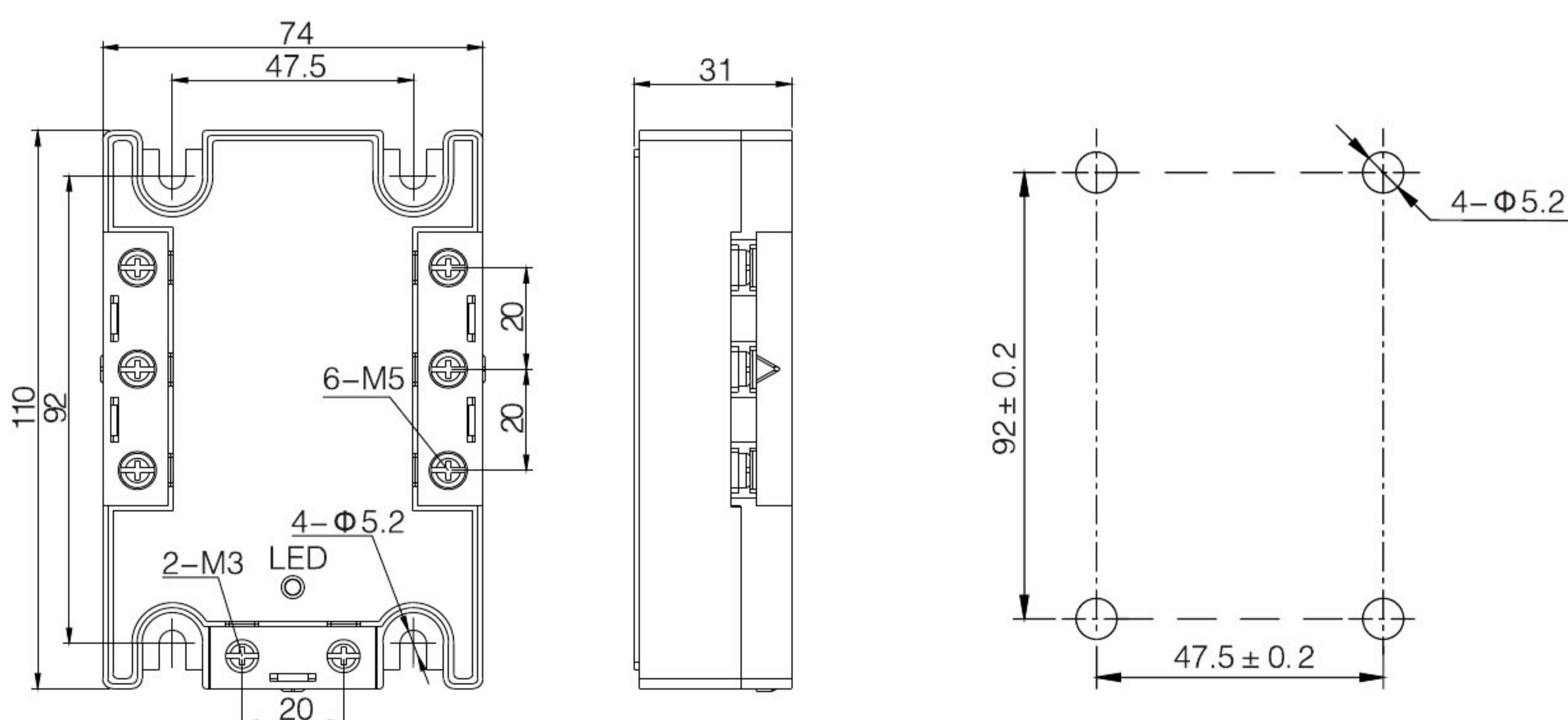
### 技术参数 Technical Specification

产品型号	Product model	XSSR-3DA□□W4	XSSR-3AA□□W4
控制电压	Control voltage	3-32VDC	80-250VAC
控制电流	Control current	10-30mA	10-30mA
反向电压	Reverse voltage	32VDC	/
保证关闭电压	Guarantee close voltage	1VDC	30VAC
保证开通电压	Guarantee open voltage	3VDC	80VAC
负载电压	Load voltage	24-480VAC	
负载最大电流	Load max current	10A-75A	
负载最小电流	Load mini current	0.08A	
通态压降	Breakover voltage	≤1.8VAC	
输出漏电流	Output leakage current	≤8mA	
介质耐压	Medium withstand voltage	≥2500VAC	
绝缘电阻	Insulating resistance	≥100MΩ	
开关时间	Switching time	≤10ms	
频率范围	Frequency range	50-60Hz	
工作温度	Operating temperature	-20-70°C	
负载电流安全系数 load current safety factor		阻性负载取(resistive load)50-60%	
		感性负载取(inductive load)30-40%	

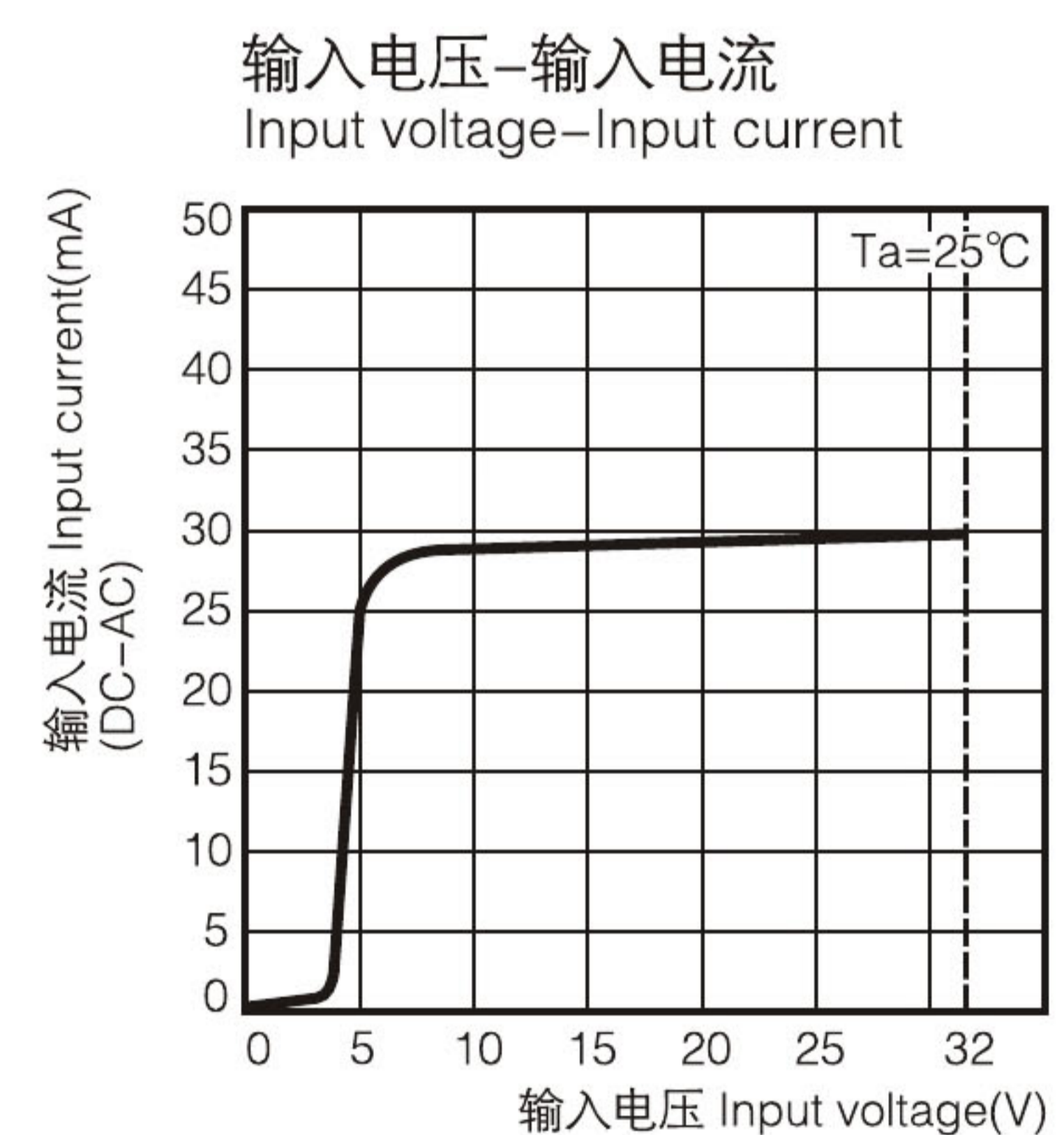
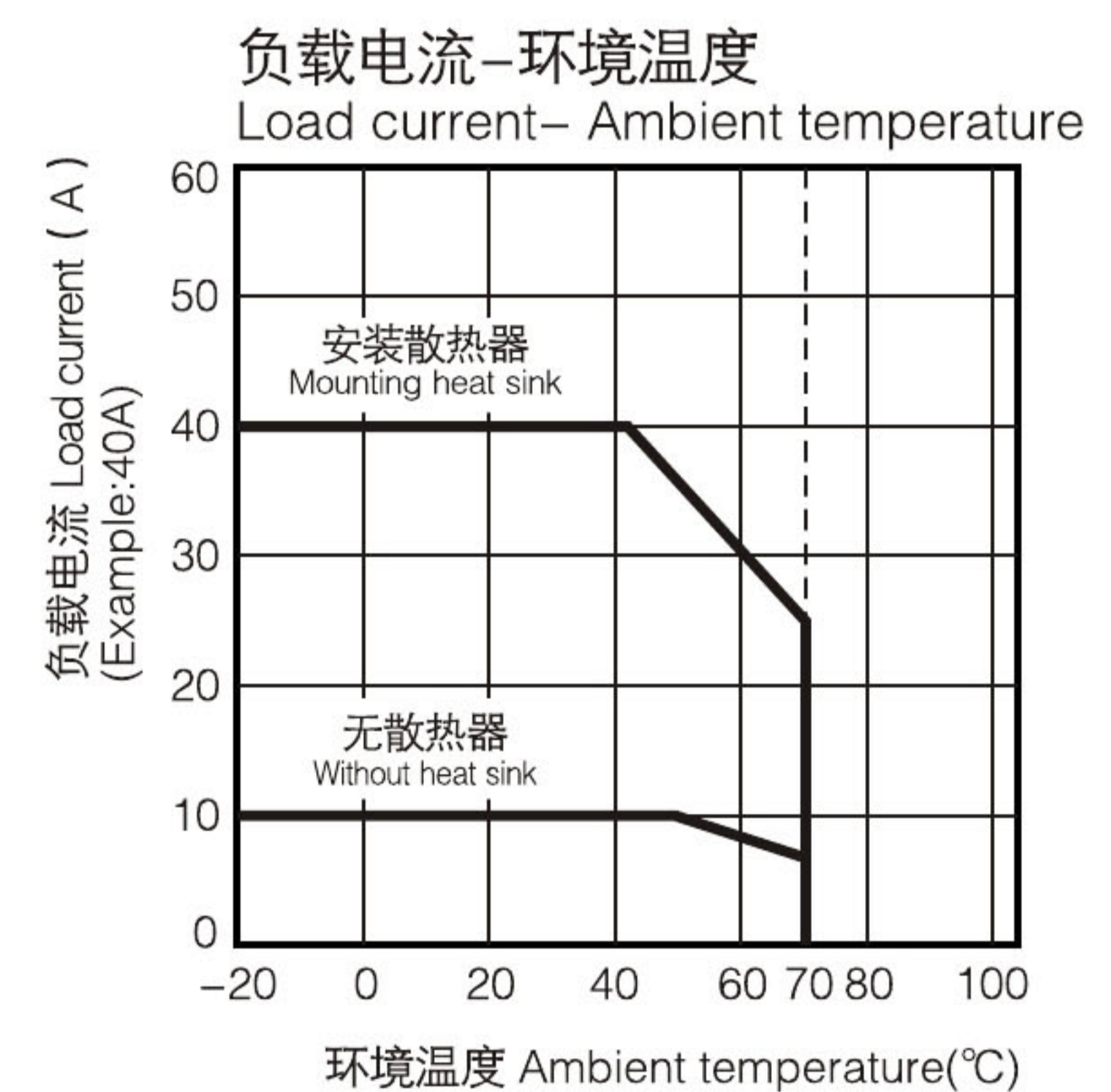
### 外形尺寸及接线图

#### Outshape dimensions & Connection Diagram

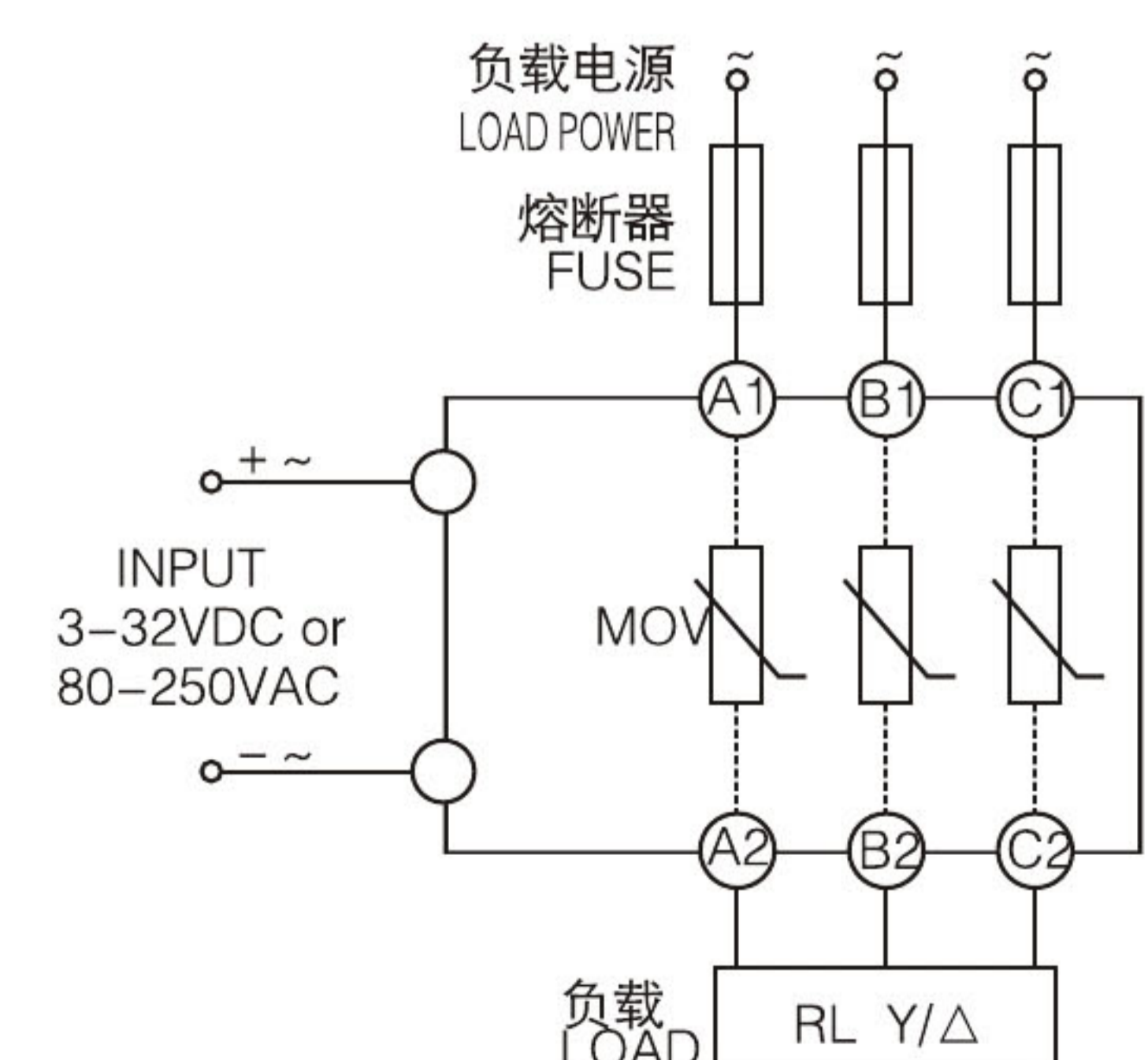
- 外形及安装尺寸图(单位: mm)  
Dimensions diagram of the Outshape and mount



### 特性曲线 Characteristic curve



### 端子接线图 Connection Diagram



### 特点 Features

- 螺栓安装-卧式 两路输出交流固态继电器
- 双向可控硅输出
- 两常开/两常闭/一常开一常闭三种输出形式
- DC-AC 直流信号控制交流负载
- 光电器件隔离
- 过零/随机触发形式
- SMD贴装工艺
- LED 指示工作状态
- Bolt Installation-Horizontal Type Dual output AC Solid State Relay
- Triac output
- 2NO/2NC/1NO1NC output form
- DC-AC DC Singnal control AC load
- Optoelectronic devices Isolation
- Zero crossing / Random Trigger Form
- SMD mount technology
- LED Status Indicator

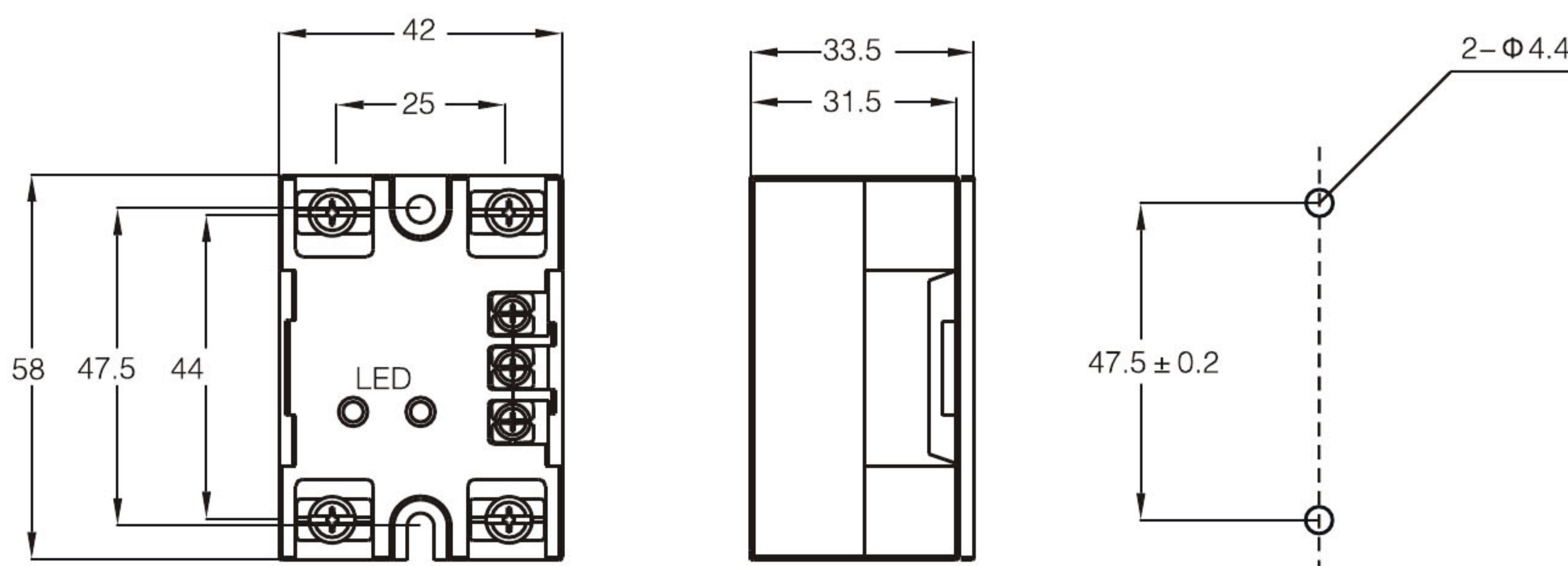
### 技术参数 Technical Specification

产品型号	Product model	XSSR-2DA□□W1	XSSR-2AA□□W1
控制电压	Control voltage	3-32VDC	80-250VAC
控制电流	Control current	6-25mA	5-25mA
反向电压	Reverse voltage	32VDC	/
保证关闭电压	Guarantee close voltage	1VDC	30VAC
保证开通电压	Guarantee open voltage	3VDC	80VAC
负载电压	Load voltage	75-480VAC	
负载最大电流	Load max current	5A-40A	
负载最小电流	Load mini current	0.05A	
通态压降	Breakover voltage	≤1.6VAC	
输出漏电流	Output leakage current	≤5mA	
介质耐压	Medium withstand voltage	≥2500VAC	
绝缘电阻	Insulating resistance	≥100MΩ	
开关时间	Switching time	≤10mS	
频率范围	Frequency range	50-60Hz	
工作温度	Operating temperature	-20-70°C	
负载电流安全系数 load current safety factor		阻性负载取(resistive load)50-60%	
		感性负载取(inductive load)30-40%	

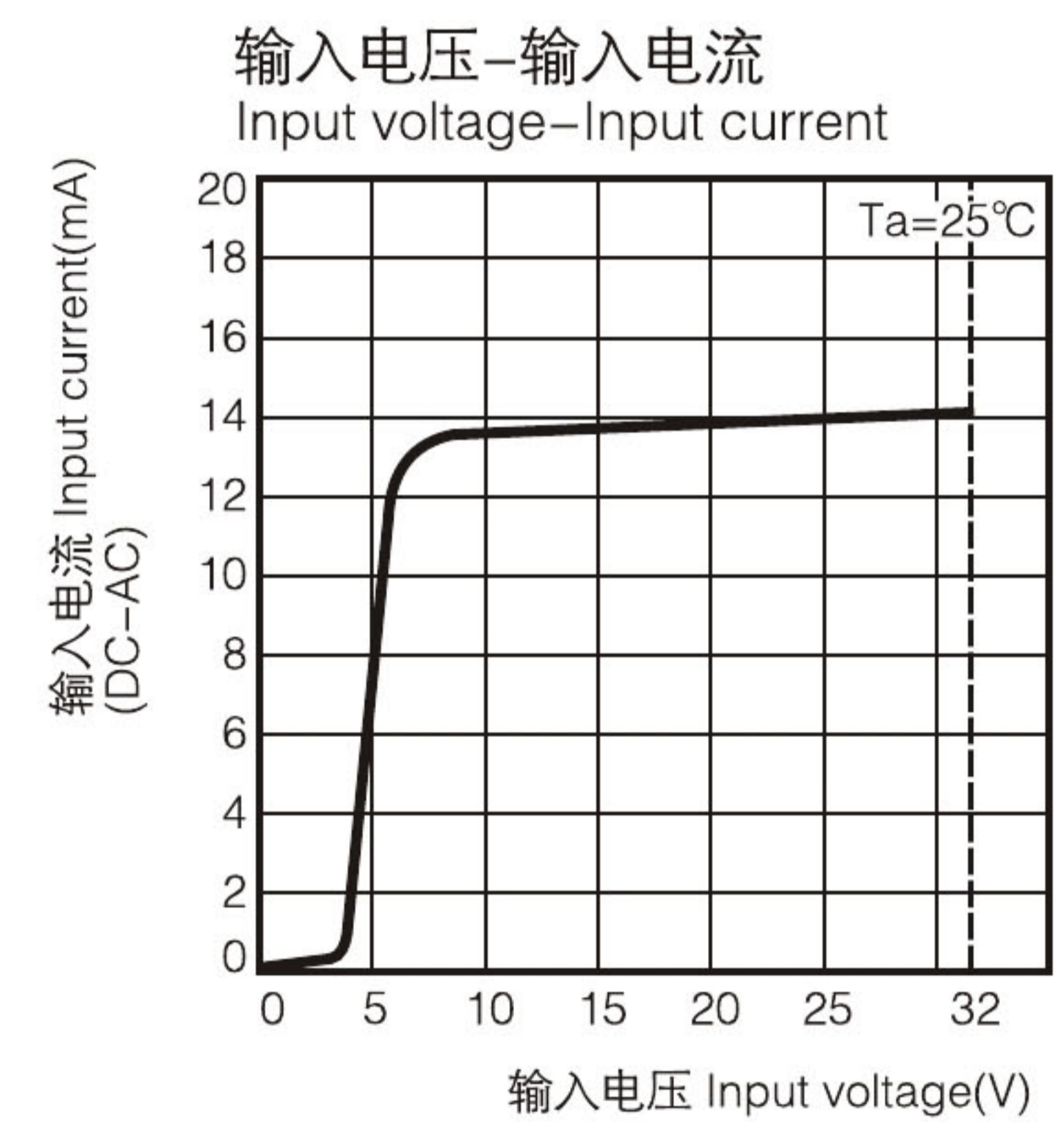
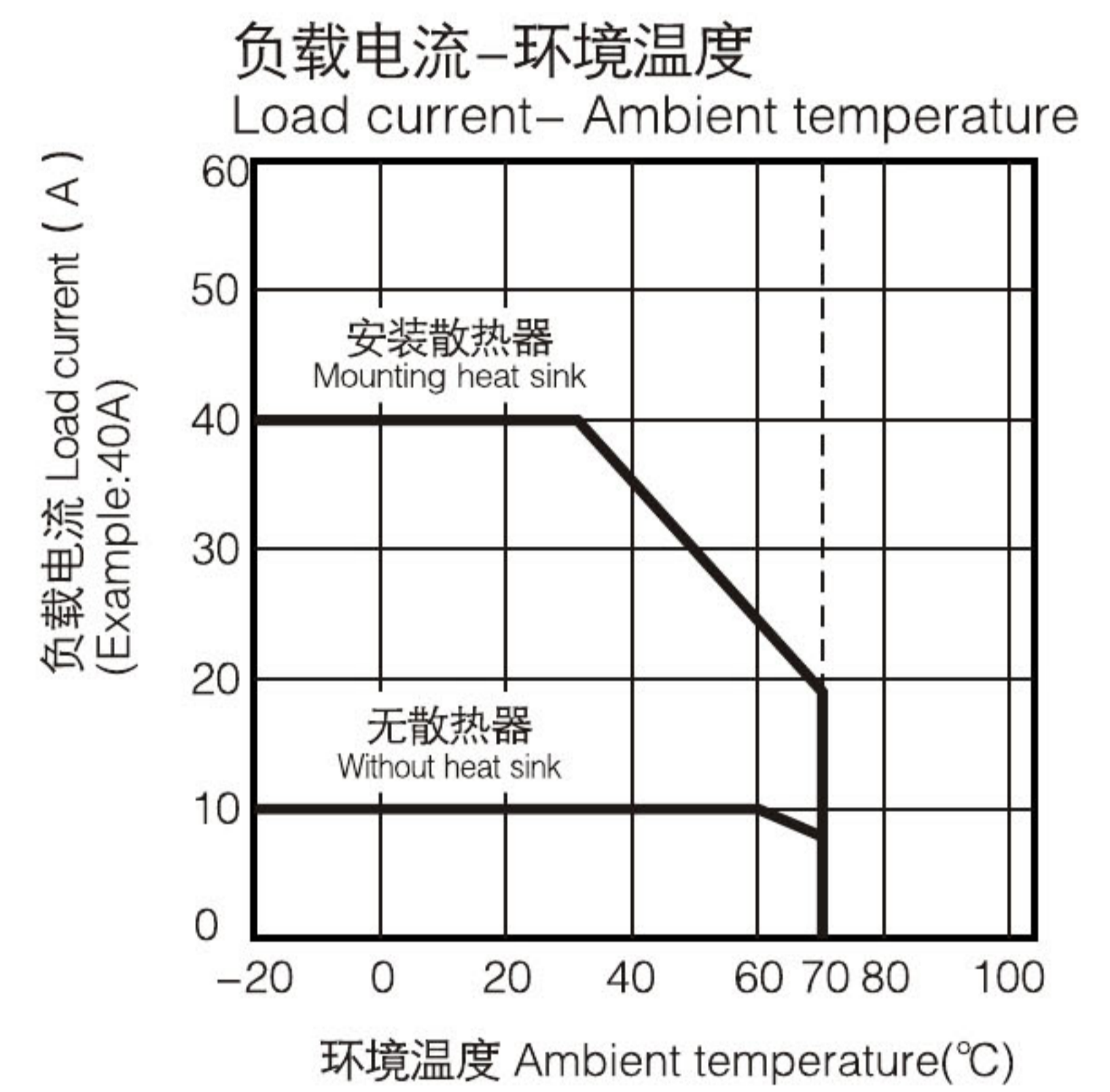
### 外形尺寸及接线图

#### Outshape dimensions & Connection Diagram

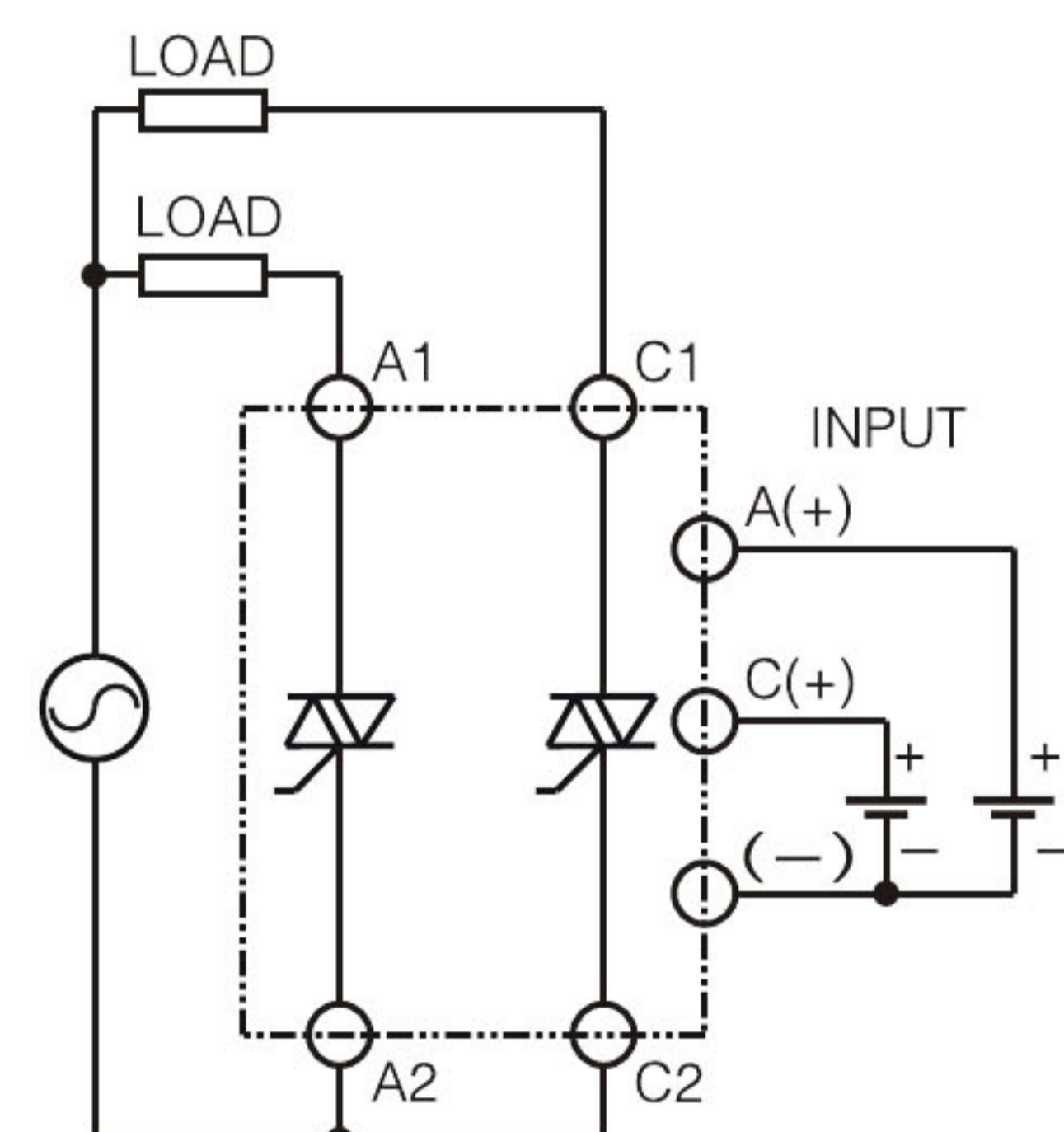
- 外形及安装尺寸图(单位: mm)
- Dimensions diagram of the Outshape and mount



### 特性曲线 Characteristic curve



- 端子接线图 Connection Diagram





### 特点 Features

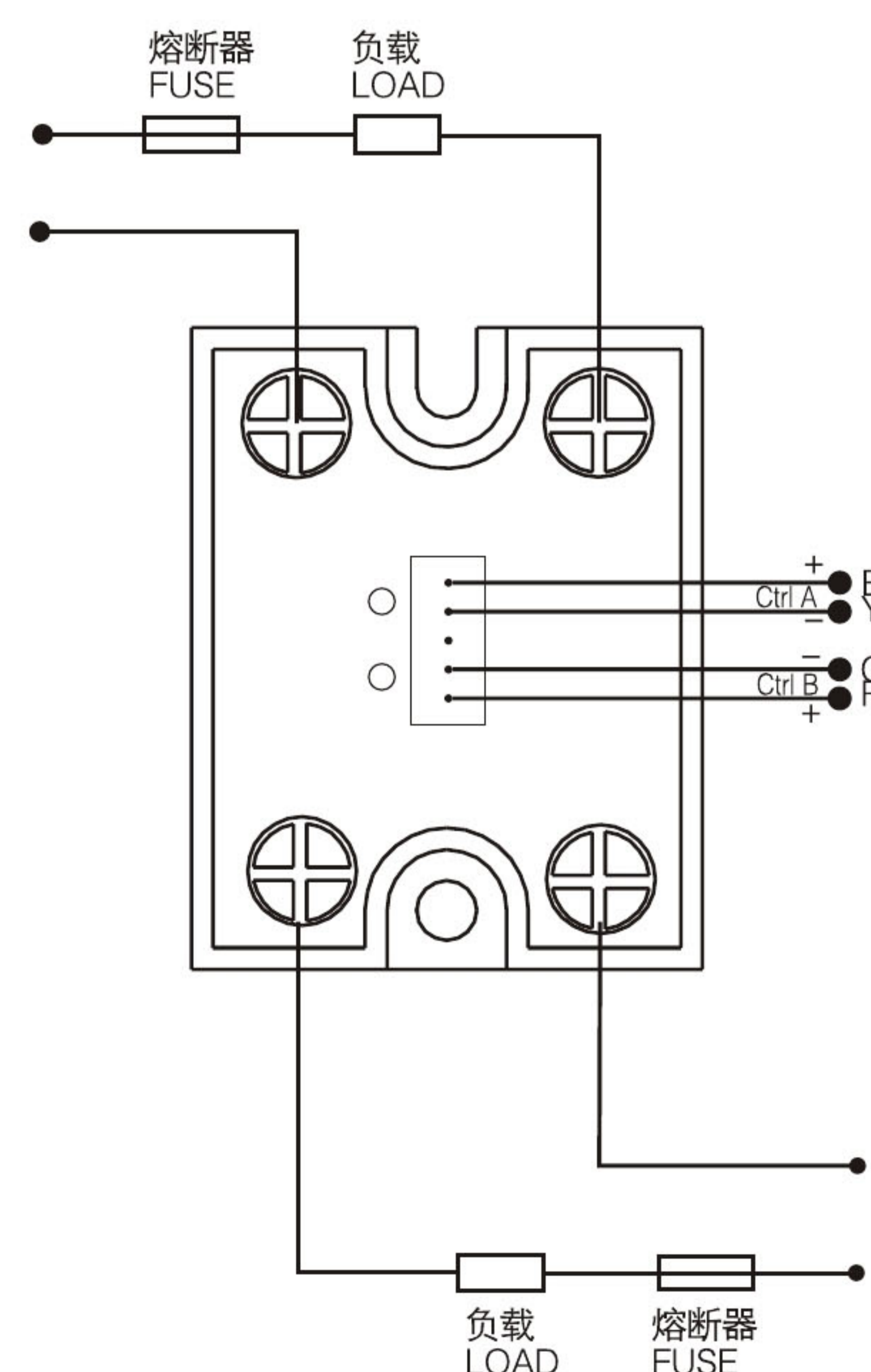
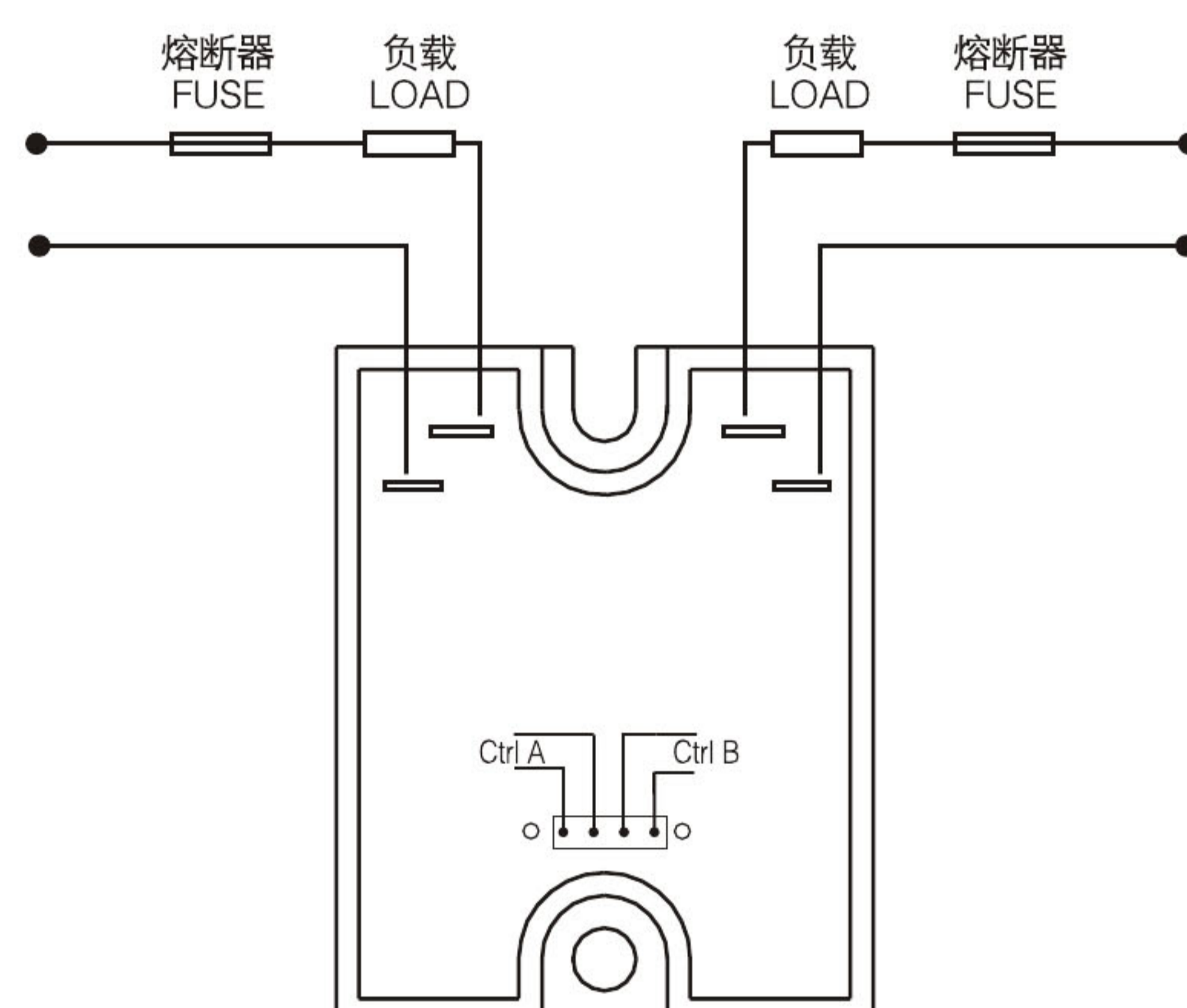
- 螺栓安装-卧式 两路输出交流固态继电器  
双向可控硅 常开输出  
DC-AC 直流信号控制交流负载  
光电器件隔离  
过零/随机触发形式  
SMD贴装工艺  
LED 指示工作状态
- Bolt Installation-Horizontal Type Dual output AC Solid State Relay  
Triac NO output  
DC-AC DC Singnal control AC load  
Optoelectronic devices Isolation  
Zero crossing / Random Trigger Form  
SMD mount technology  
LED Status Indicator



### 技术参数 Technical Specification

产品型号	Product model	XSSR-2DA□□W2
控制电压	Control voltage	3-32VDC
控制电流	Control current	6-25mA
反向电压	Reverse voltage	32VDC
保证关闭电压	Guarantee close voltage	1VDC
保证开通电压	Guarantee open voltage	3VDC
负载电压	Load voltage	75-480VAC
负载最大电流	Load max current	5A-40A
负载最小电流	Load mini current	0.05A
通态压降	Breakover voltage	≤1.6VAC
输出漏电流	Output leakage current	≤5mA
介质耐压	Medium withstand voltage	≥2500VAC
绝缘电阻	Insulating resistance	≥100MΩ
开关时间	Switching time	≤10mS
频率范围	Frequency range	50-60Hz
工作温度	Operating temperature	-20-70°C
负载电流安全系数	load current safety factor	阻性负载取(resistive load)50-60% 感性负载取(inductive load)30-40%

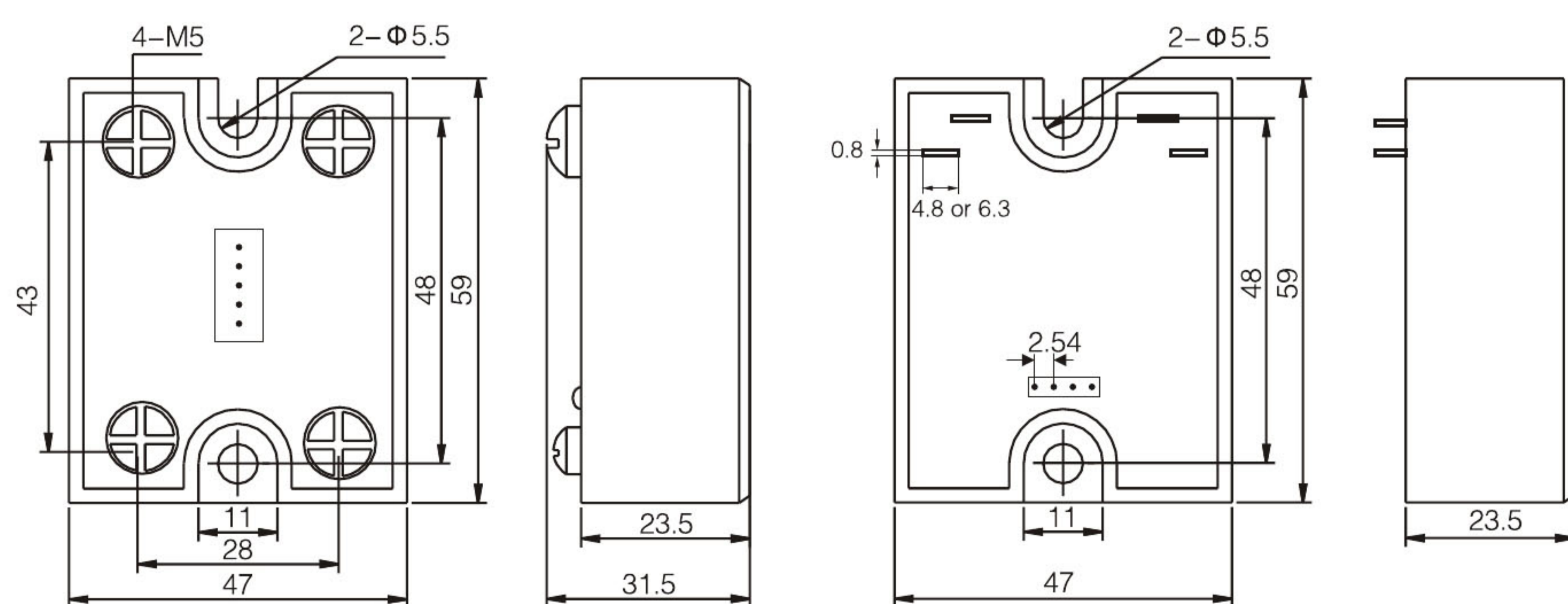
### 端子接线图 Connection Diagram



### 外形尺寸及接线图

#### Outshape dimensions & Connection Diagram

- 外形及安装尺寸图(单位: mm)  
Dimensions diagram of the Outshape and mount



### 特点 Features

- 螺栓安装 三相交流固态接触器
- 双向可控硅 常开输出
- DC-AC 直流信号控制交流负载/AC-AC 交流信号控制交流负载
- 统一/单独控制形式
- 带辅助触点：两常开/两常闭/一常开一常闭(可构成自保持及互锁)
- 光电器件隔离
- 过零/随机触发形式
- SMD贴装工艺
- 内置RC吸收回路及压敏电阻保护
- LED 指示工作状态
- Bolt Installation Three-phase AC Solid State Contactor
- Triac NO output
- DC-AC DC Singnal control AC load /AC-AC AC Signal control AC load
- Unified / Individually controlled Form
- With auxiliary contacts: 2NO/2NC/1NO1NC (Self-contained and interlock)
- Optoelectronic devices Isolation
- Zero crossing / Random Trigger Form
- SMD mount technology
- Built-in RC absorbing circuit
- LED Status Indicator



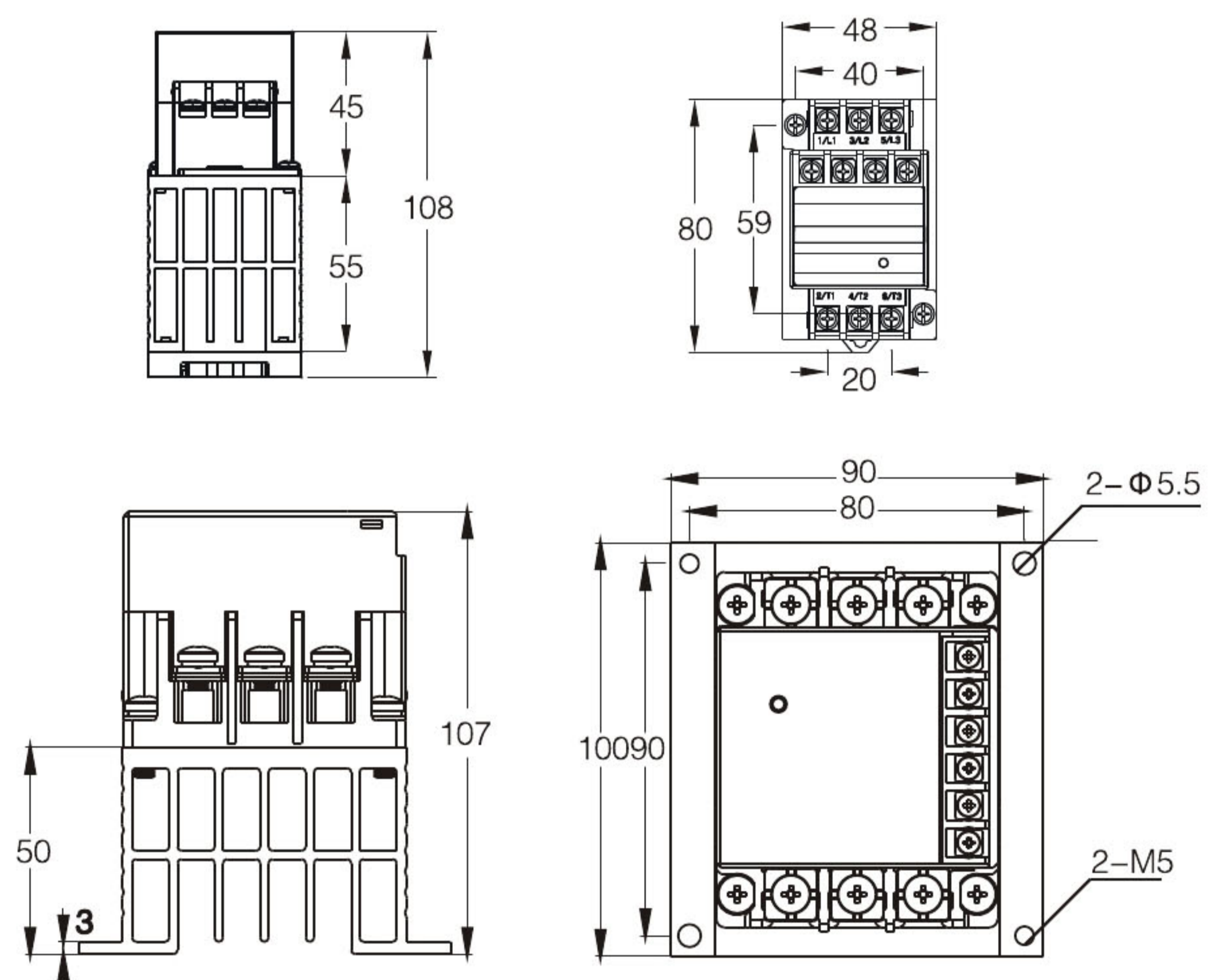
### 技术参数 Technical Specification

产品型号	Product model	XSSC-3□□□□
		A1 AC100-120V/AC200-240V
		A3 AC100-120V
		A4 AC200-240V
控制电压	Control voltage	D2 DC12/24V
		D3 DC5-24V
		D5 DC12-24V
辅助回路电压	auxiliary load voltage	AC type 240V
		DC type 24V
负载电压	Load voltage	240VAC 480VAC
负载电流	Load current	5A-20A
通态压降	Breakover voltage	≤1.6VAC
输出漏电流	Output leakage current	≤8mA
介质耐压	Medium withstand voltage	≥2500VAC
绝缘电阻	Insulating resistance	≥100MΩ
开关时间	Switching time	≤10mS
频率范围	Frequency range	50-60Hz
工作温度	Operating temperature	-20-70℃
负载电流安全系数	load current safety factor	阻性负载取(resistive load)50-60%
		感性负载取(inductive load)30-40%

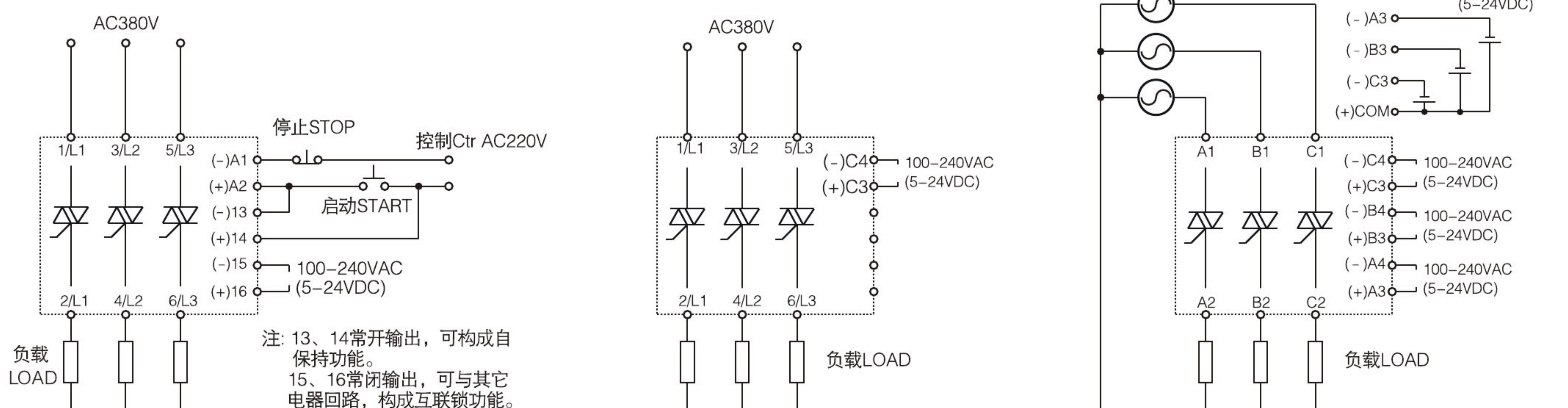
### 外形尺寸及接线图

#### Outshape dimensions & Connection Diagram

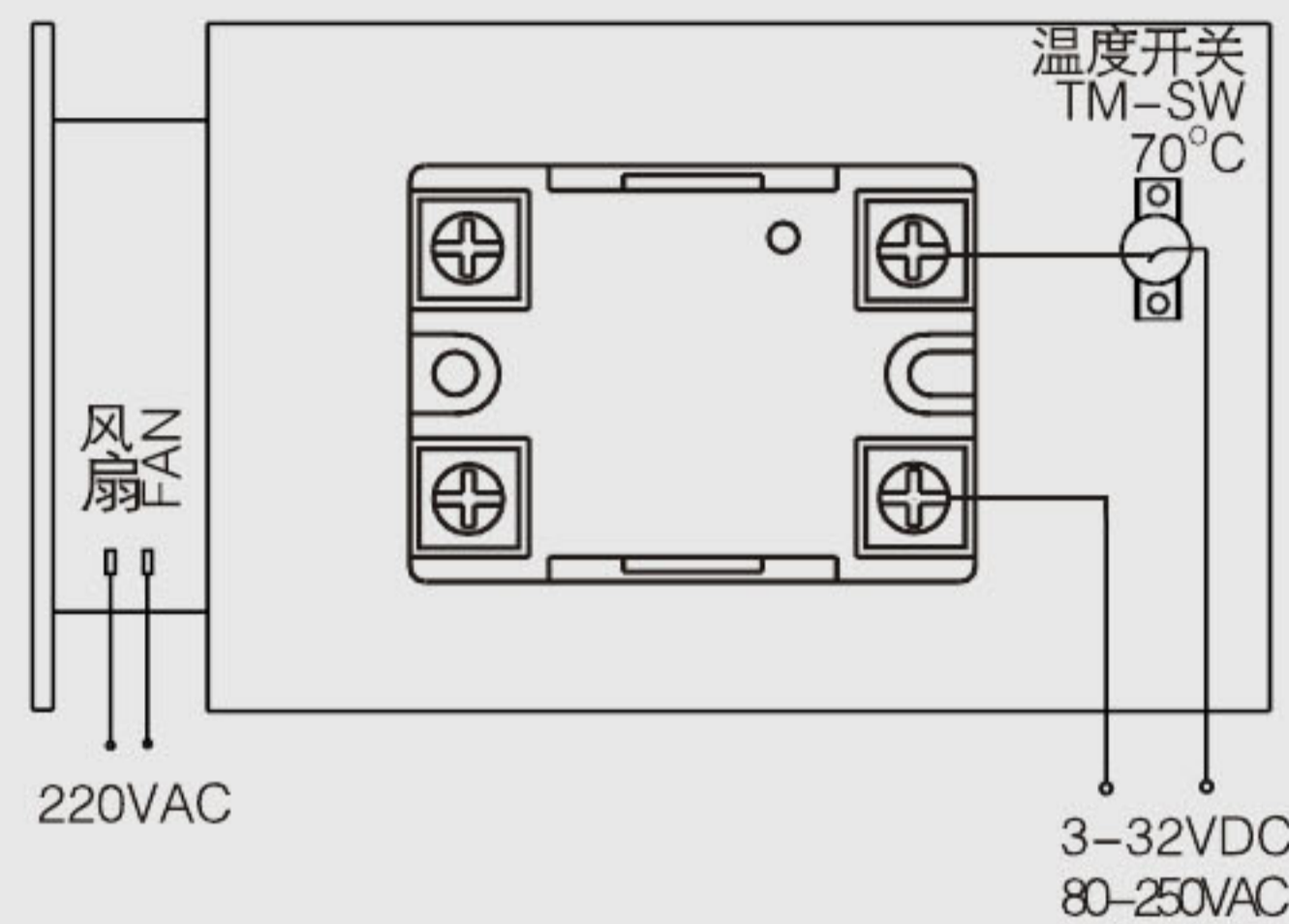
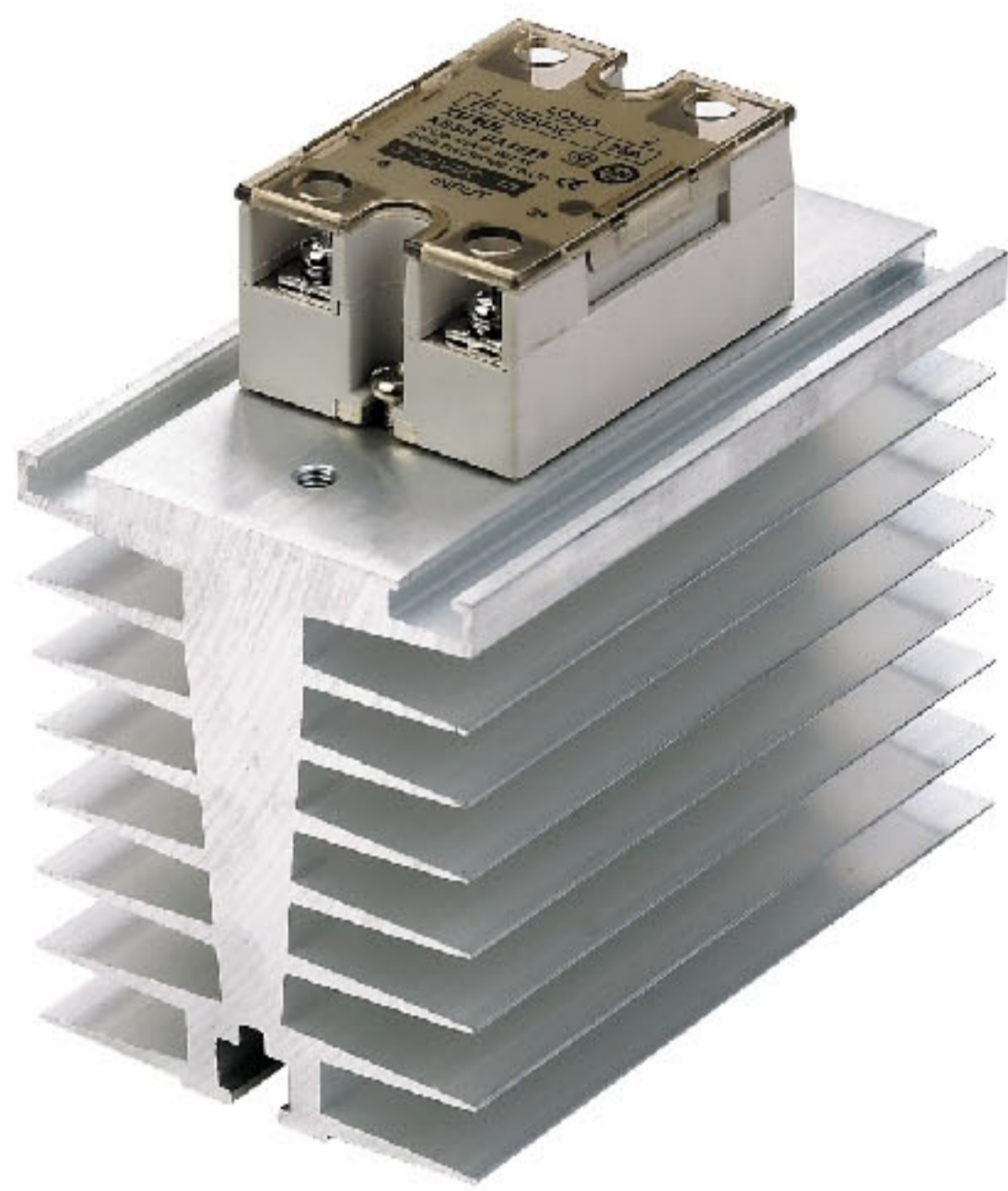
- 外形及安装尺寸图(单位: mm)
- Dimensions diagram of the Outshape and mount



### 端子接线图 Connection Diagram

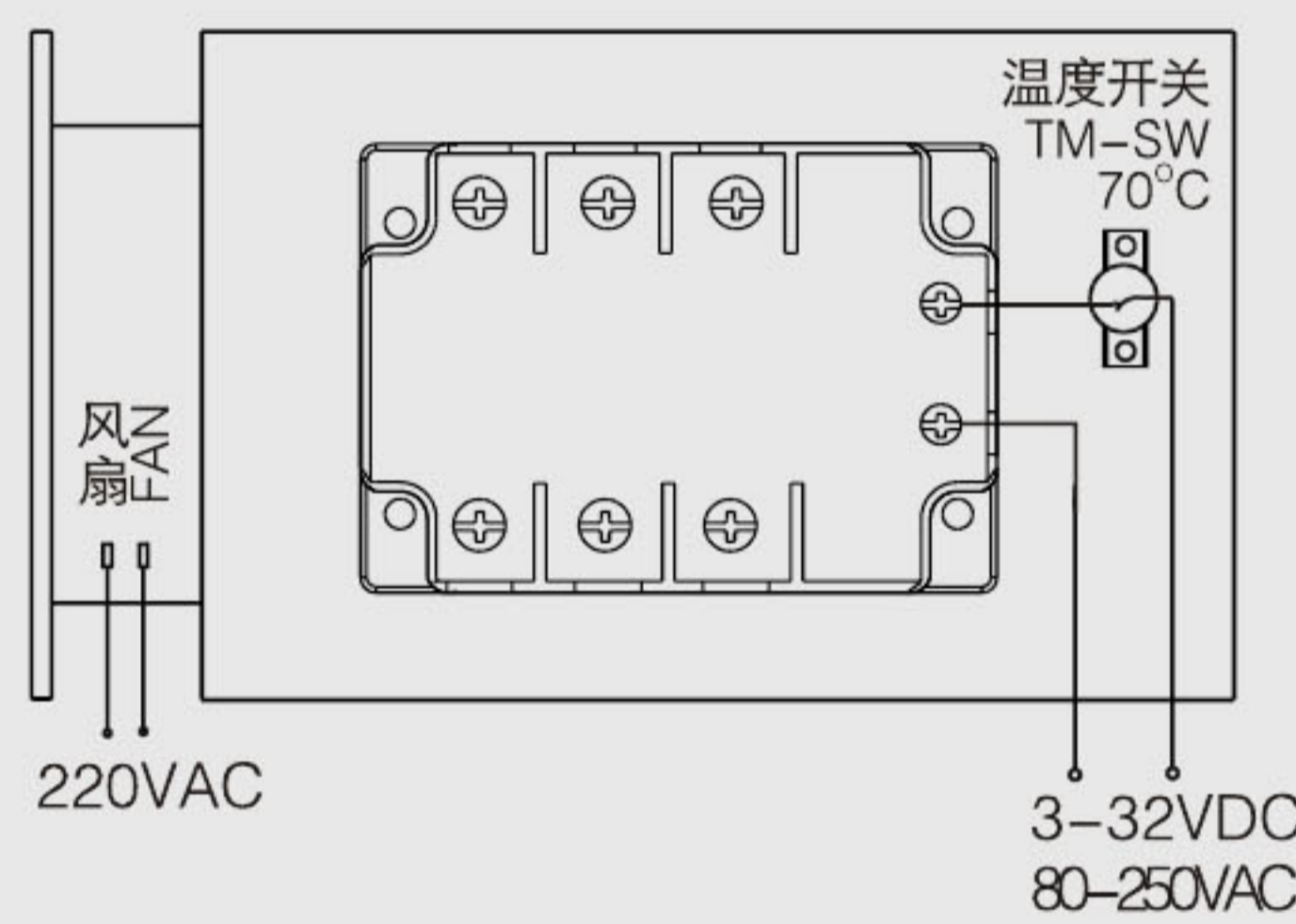


• 单相固态接触器  
Single-phase Solid State Contactor



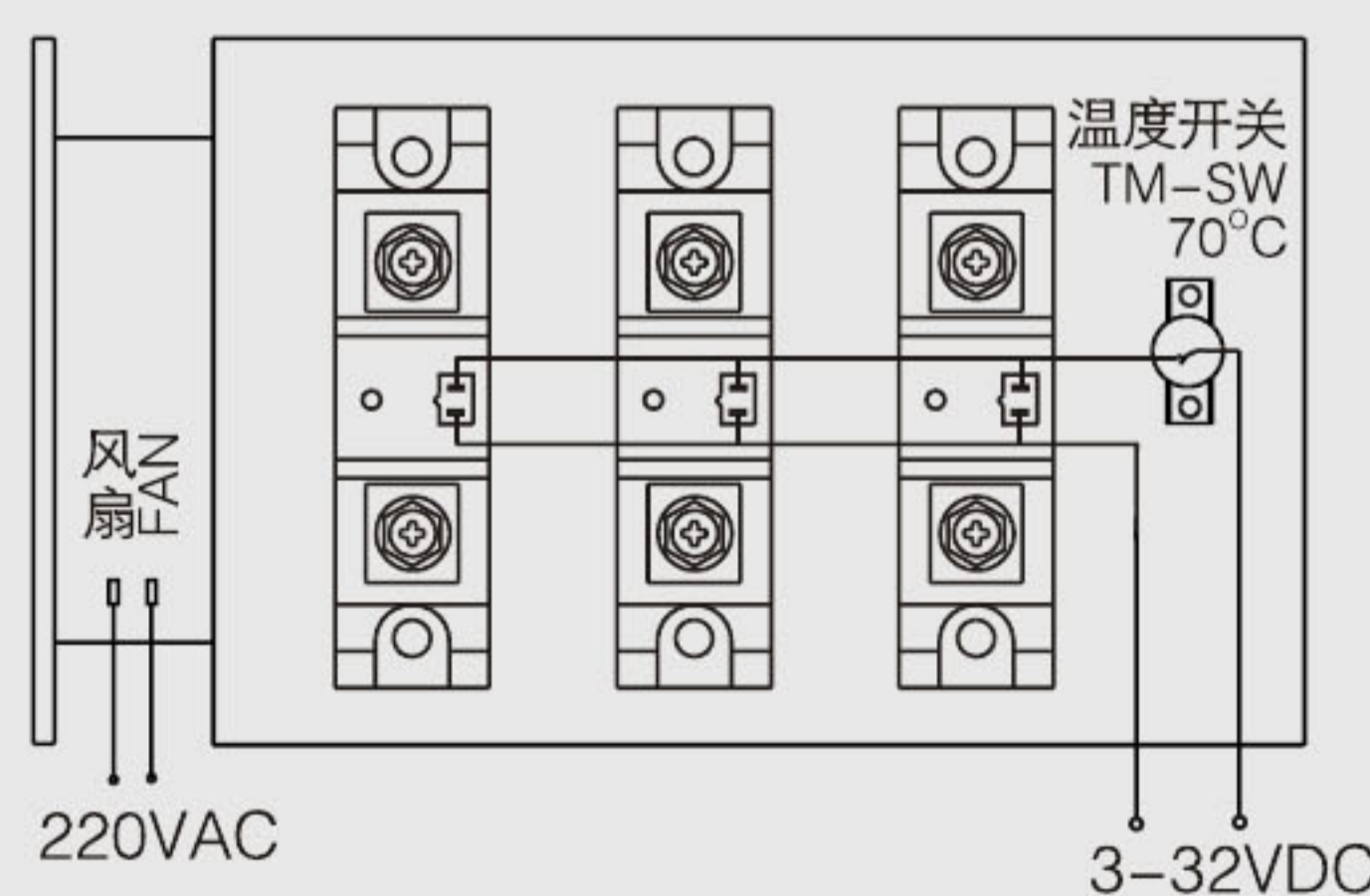
控制电压	Control voltage	3-32VDC/80-250VAC
负载电压	Load voltage	75-480VAC
负载最大电流	Load max current	10A-600A
负载最小电流	Load mini current	0.1A
通态压降	Breakover voltage	≤2VAC
输出漏电流	Output leakage current	≤8mA
介质耐压	Medium withstand voltage	≥2500VAC
绝缘电阻	Insulating resistance	≥100MΩ
开关时间	Switching time	≤10mS
频率范围	Frequency range	50-60Hz
工作温度	Operating temperature	-20-70°C
负载电流安全系数 load current safety factor		阻性负载取(resistive load)50-60%
		感性负载取(inductive load)30-40%

• 三相固态接触器  
Three-phase Solid State Contactor



控制电压	Control voltage	3-32VDC/80-250VAC
负载电压	Load voltage	75-480VAC
负载最大电流	Load max current	10A-200A
负载最小电流	Load mini current	0.1A
通态压降	Breakover voltage	≤2VAC
输出漏电流	Output leakage current	≤8mA
介质耐压	Medium withstand voltage	≥2500VAC
绝缘电阻	Insulating resistance	≥100MΩ
开关时间	Switching time	≤10mS
频率范围	Frequency range	50-60Hz
工作温度	Operating temperature	-20-70°C
负载电流安全系数 load current safety factor		阻性负载取(resistive load)50-60%
		感性负载取(inductive load)30-40%

• 组合三相固态接触器  
Combination Three-phase Solid State Contactor



控制电压	Control voltage	并联parallel 3-32V/串联series 6-32V
负载电压	Load voltage	75-480VAC
负载最大电流	Load max current	100A-400A
负载最小电流	Load mini current	0.2A
通态压降	Breakover voltage	≤2VAC
输出漏电流	Output leakage current	≤8mA
介质耐压	Medium withstand voltage	≥2500VAC
绝缘电阻	Insulating resistance	≥100MΩ
开关时间	Switching time	≤10mS
频率范围	Frequency range	50-60Hz
工作温度	Operating temperature	-20-70°C
负载电流安全系数 load current safety factor		阻性负载取(resistive load)50-60%
		感性负载取(inductive load)30-40%

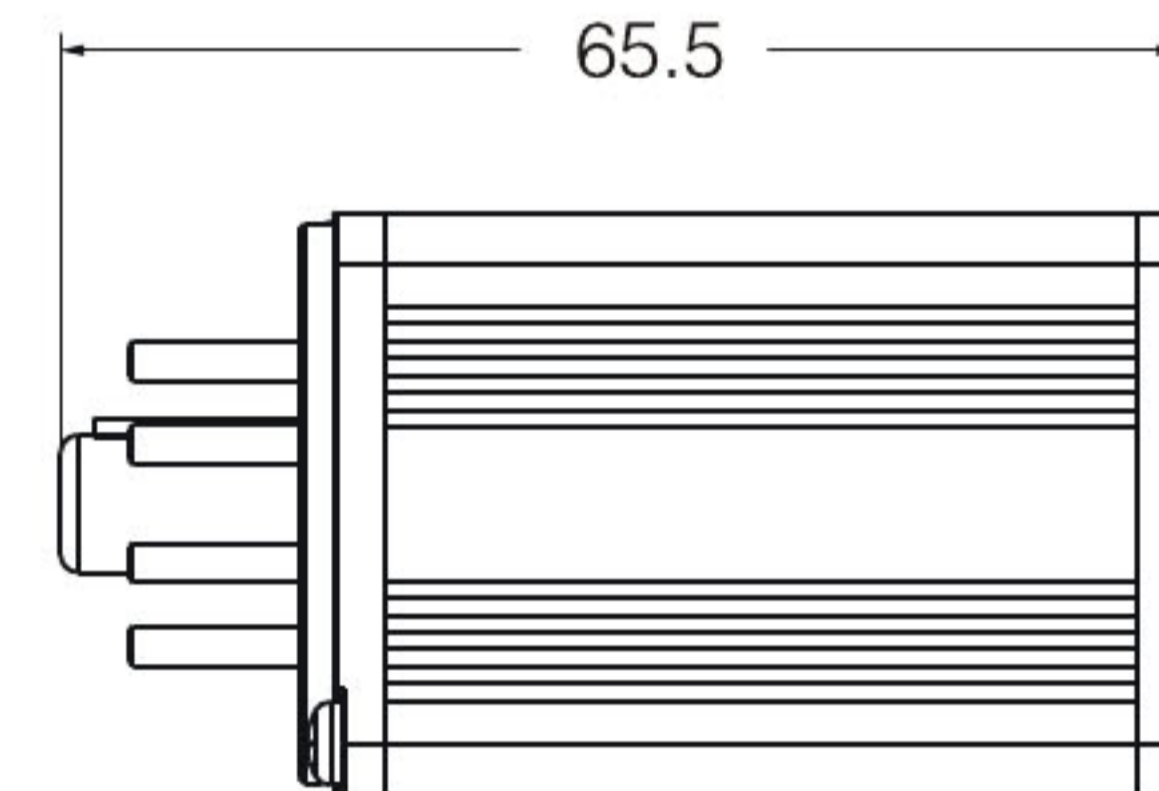
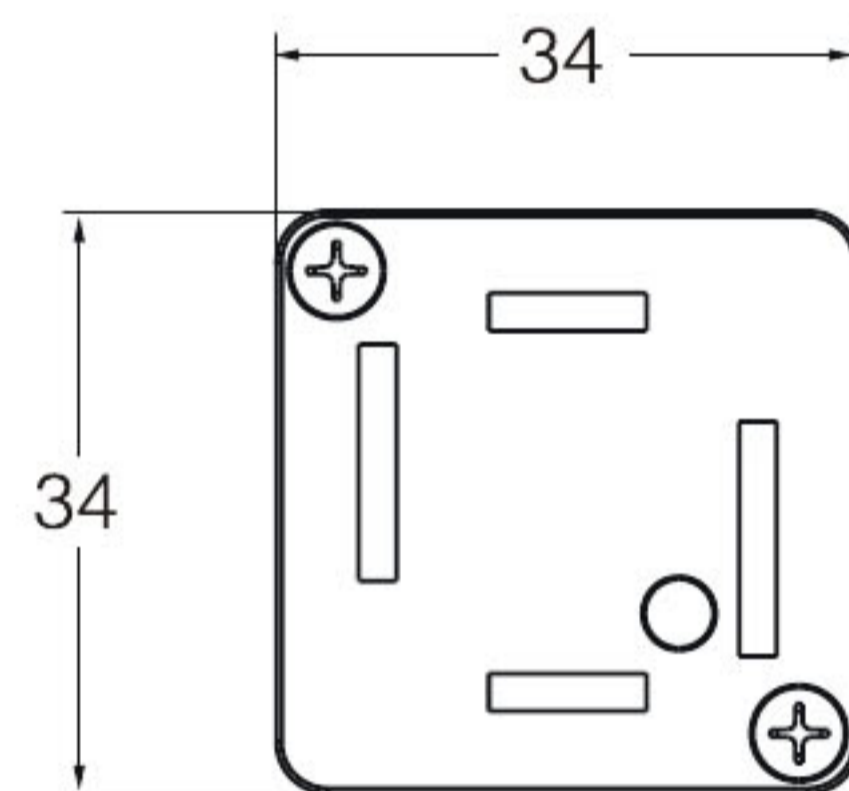
插座式交流固态继电器  
 Socket Type AC Solid State Relay  
 需配插座型号  
 Socket Model: PF-083A/PF-083A-E



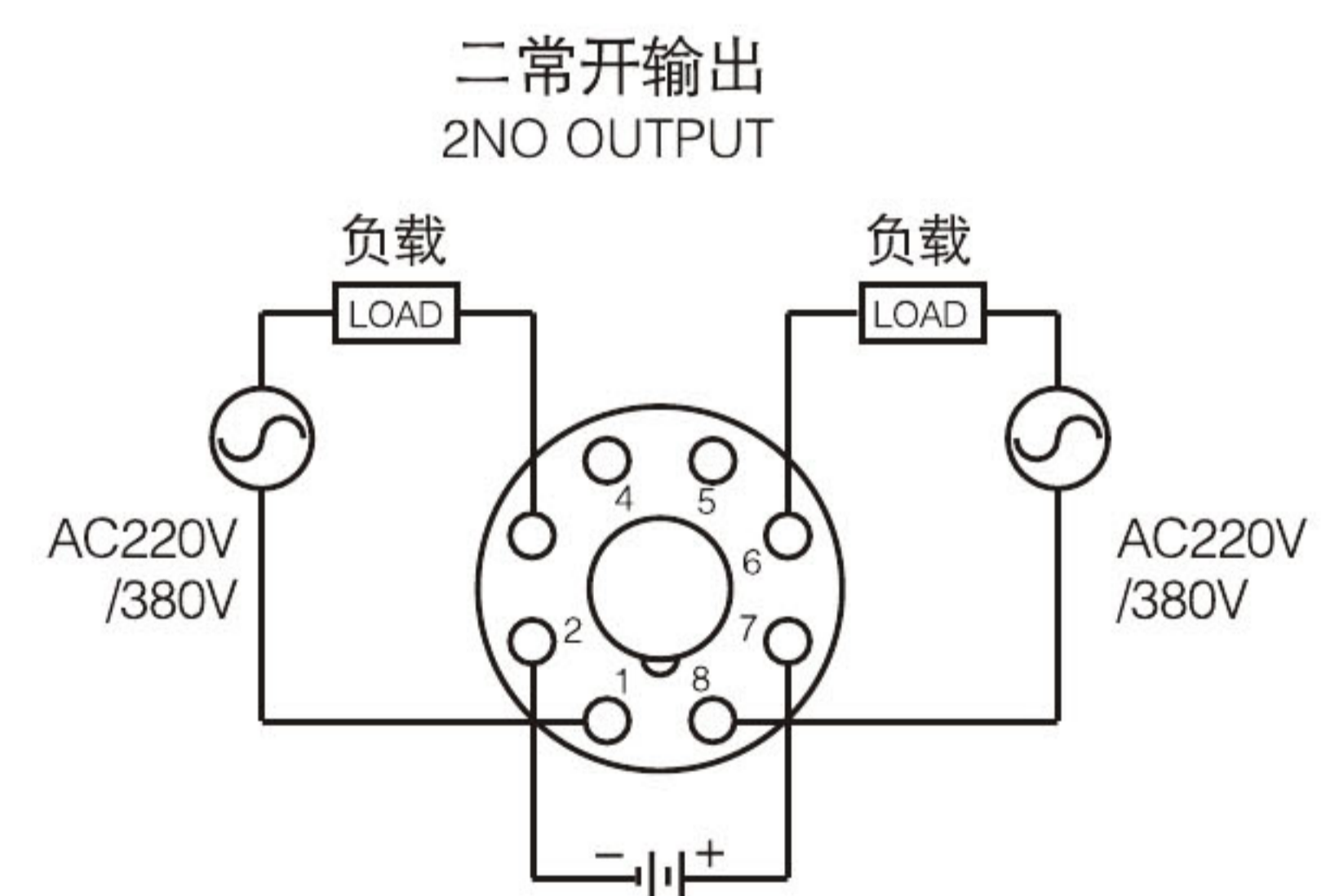
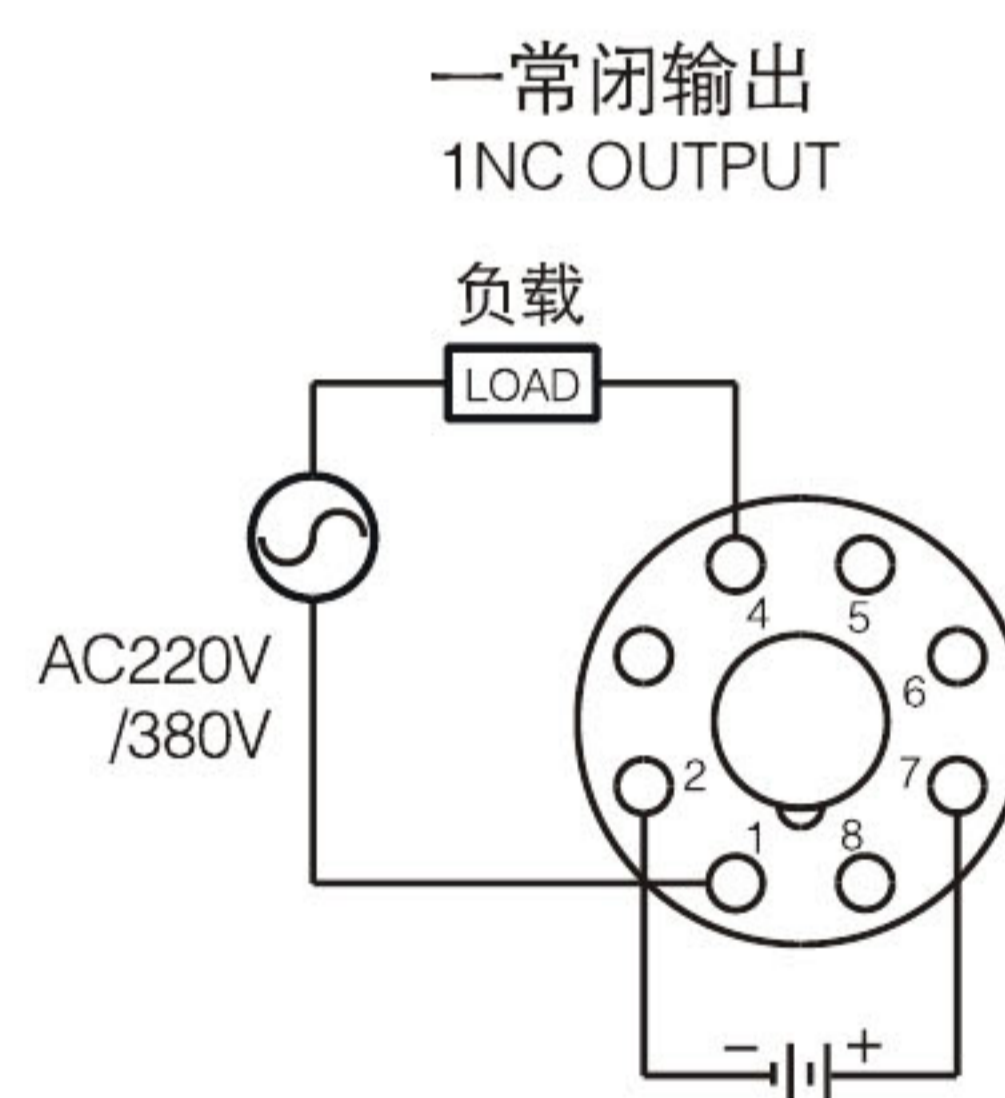
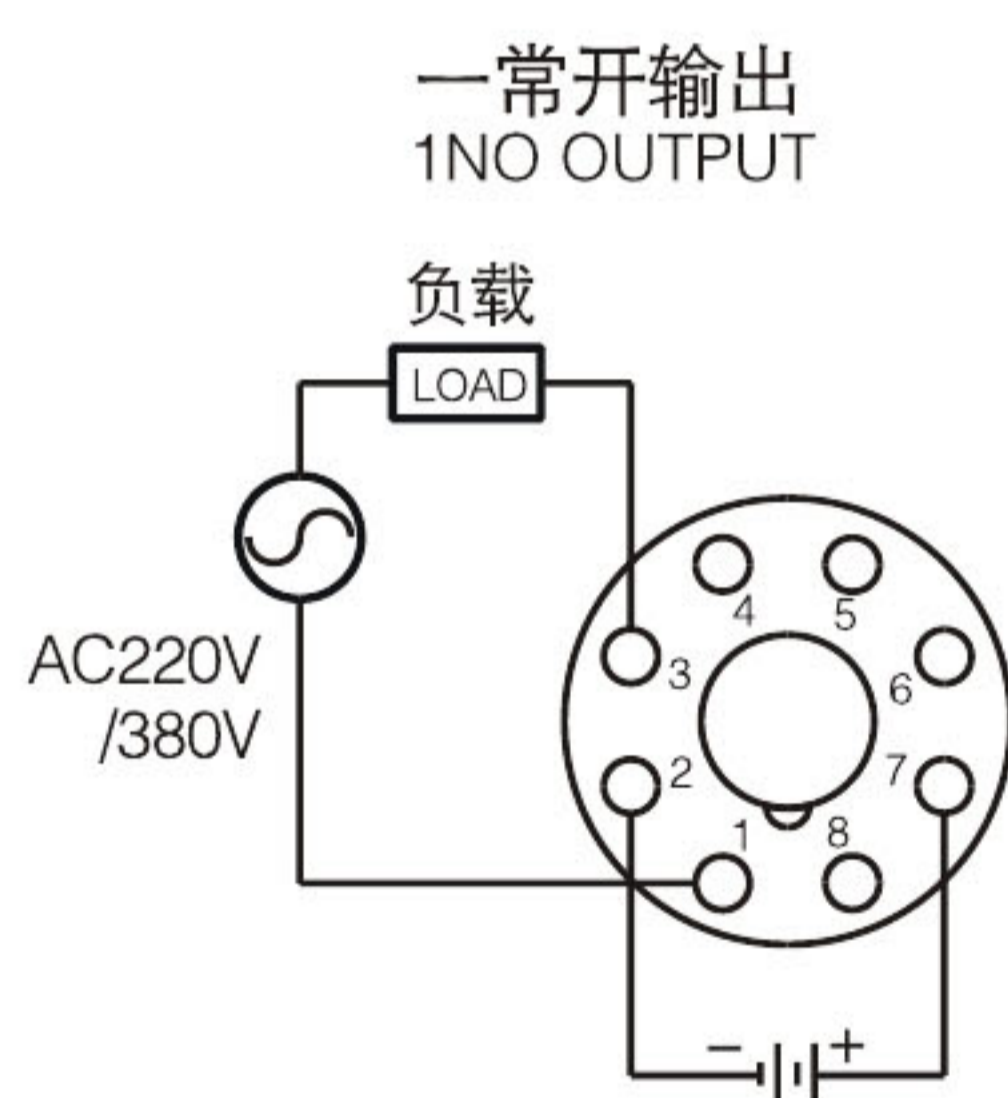
产品型号	Product model	XSSR-DA□□□S1
控制电压	Control voltage	3-32VDC
控制电流	Control current	6-25mA
反向电压	Reverse voltage	32VDC
保证关闭电压	Guarantee close voltage	1VDC
保证开通电压	Guarantee open voltage	3VDC
负载电压	Load voltage	24-240VAC 24-380VAC
负载最大电流	Load max current	3A-5A
负载最小电流	Load mini current	0.05A
通态压降	Breakover voltage	≤ 1.5VAC
输出漏电流	Output leakage current	≤ 3mA
介质耐压	Medium withstand voltage	≥ 2500VAC
绝缘电阻	Insulating resistance	≥ 100MΩ
开关时间	Switching time	≤ 10mS
频率范围	Frequency range	50-60Hz
工作温度	Operating temperature	-20-70°C
负载电流安全系数	load current safety factor	阻性负载取(resistive load)50-60% 感性负载取(inductive load)30-40%

### 外形及安装尺寸图(单位mm)

Dimensions diagram of the Outshape and mount

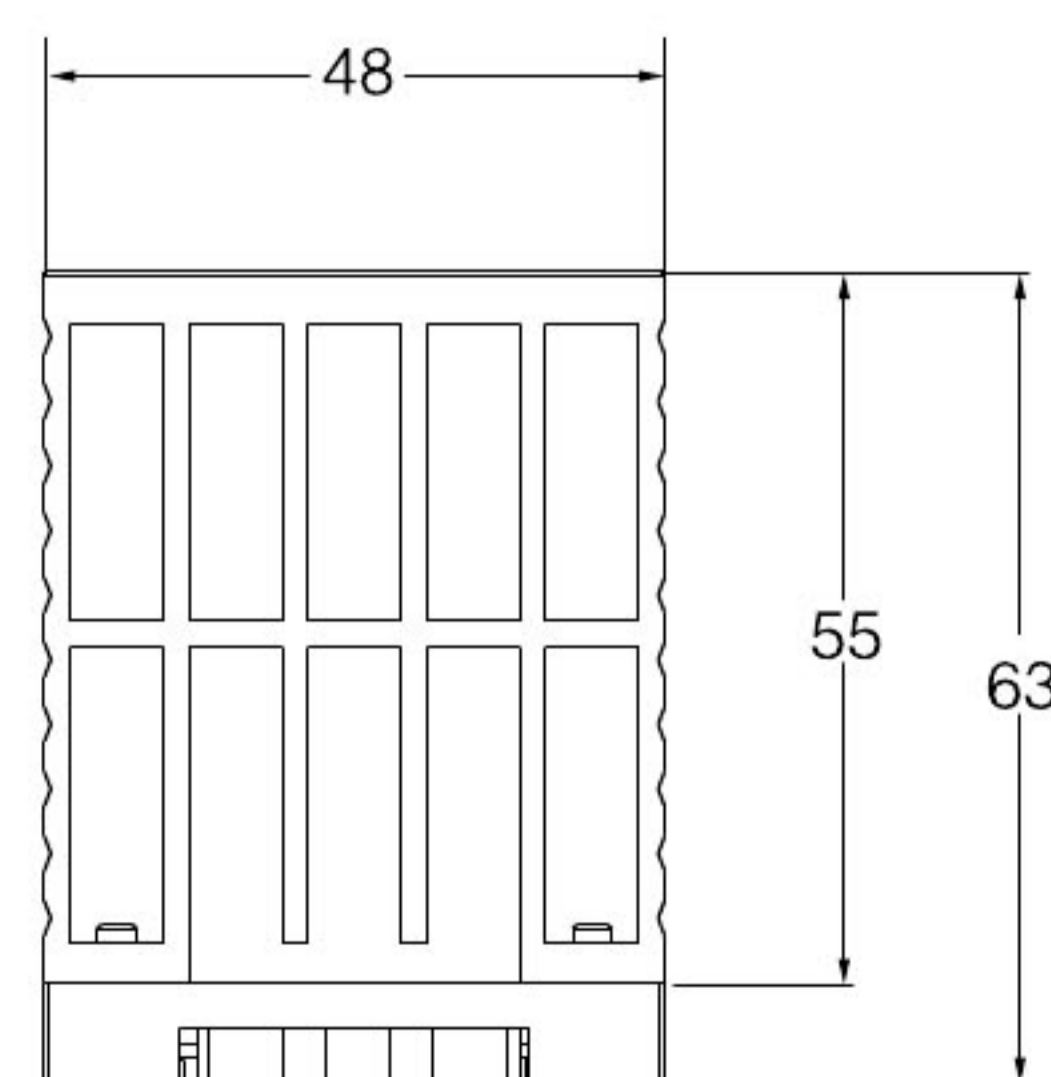


### 端子接线图 Connection Diagram



### 【D型】导轨型固态继电器散热器 (适用于5-20A)

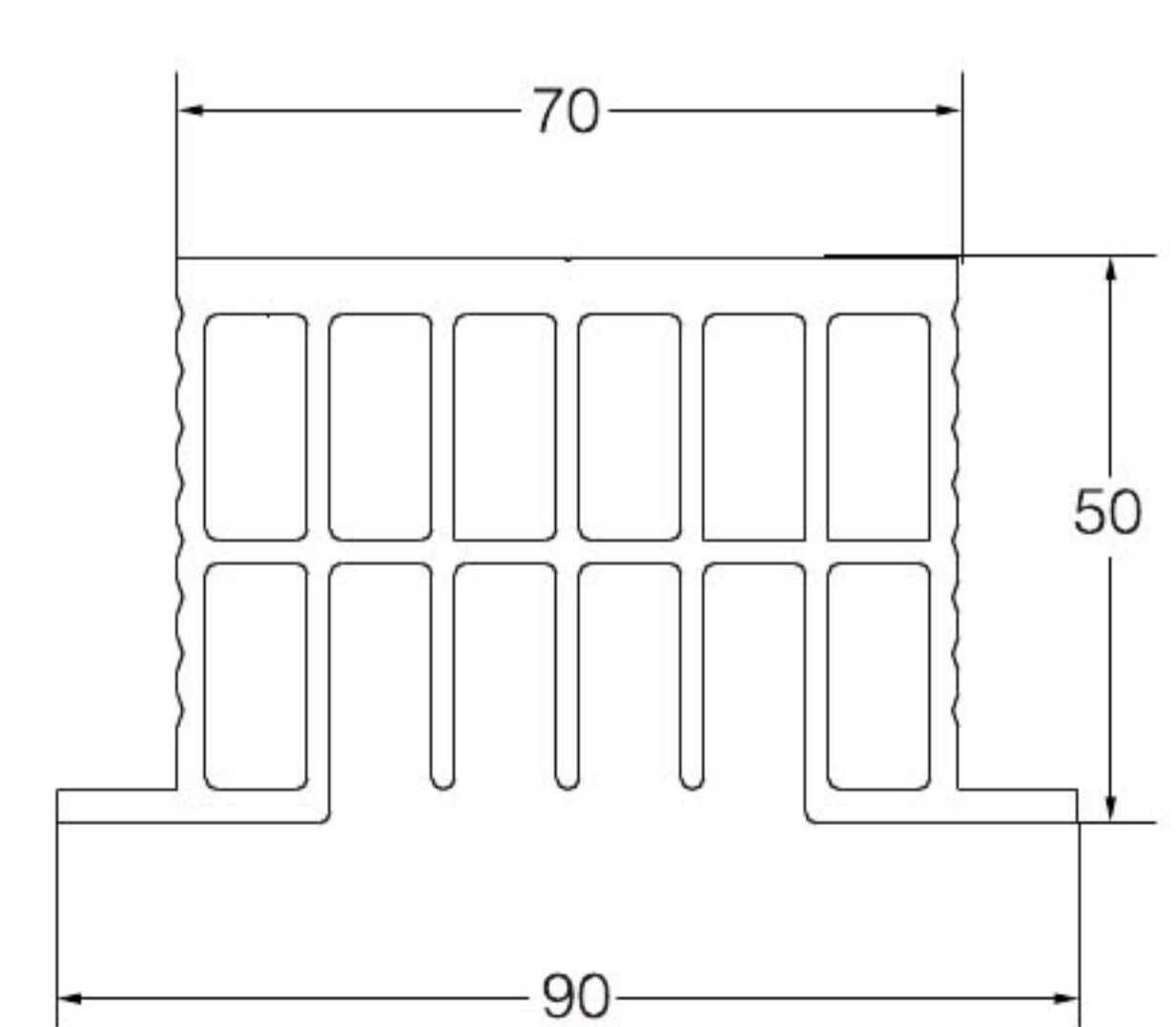
XD SSR Din rail type heat sink  
(For 5-20A)



型号Model	长×宽×高(L×W×H)
XD-75	75×48×55mm

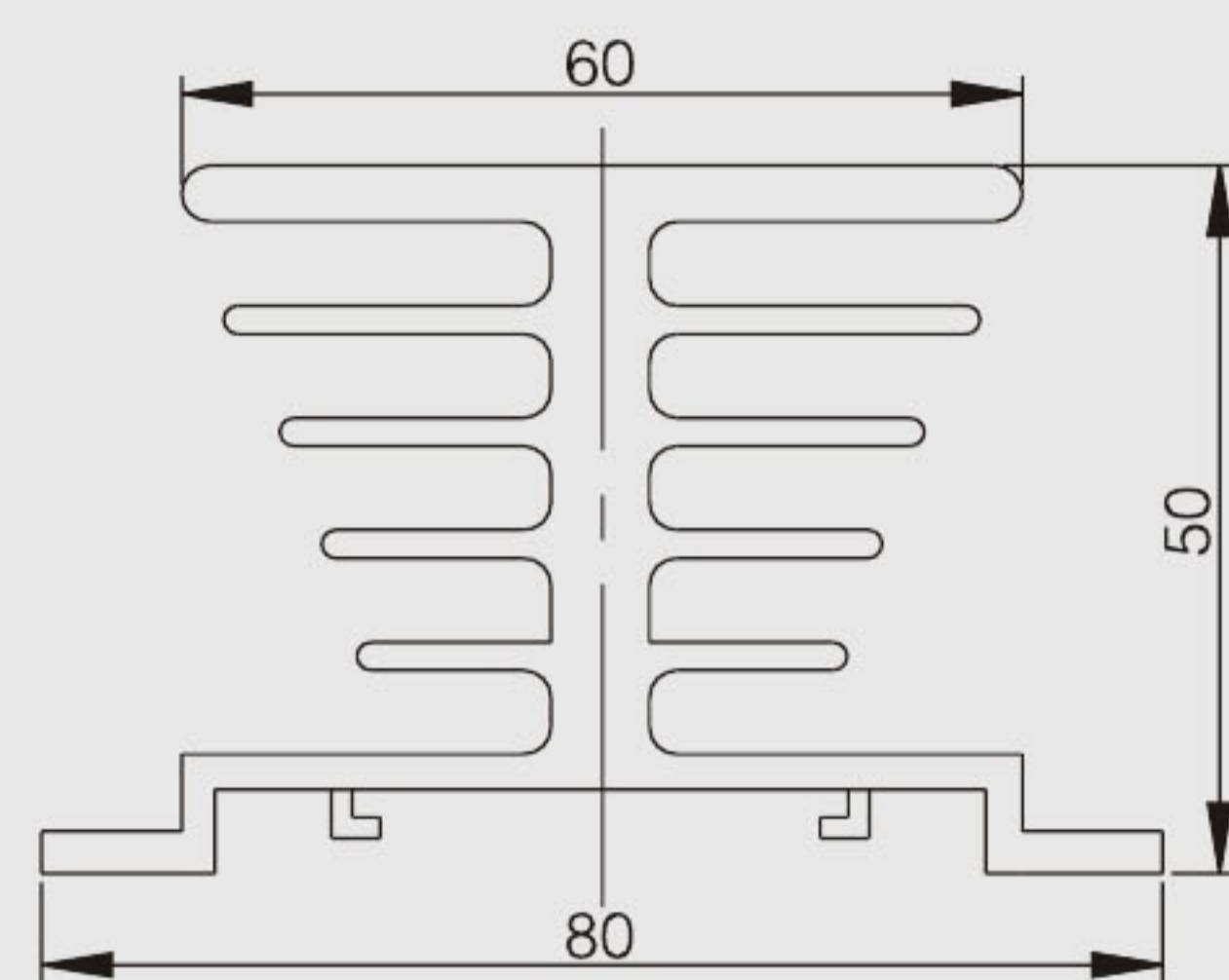
### 【N型】固态继电器散热器 (适用于10-30A)

XN SSR heat sink  
(For 10-30A)



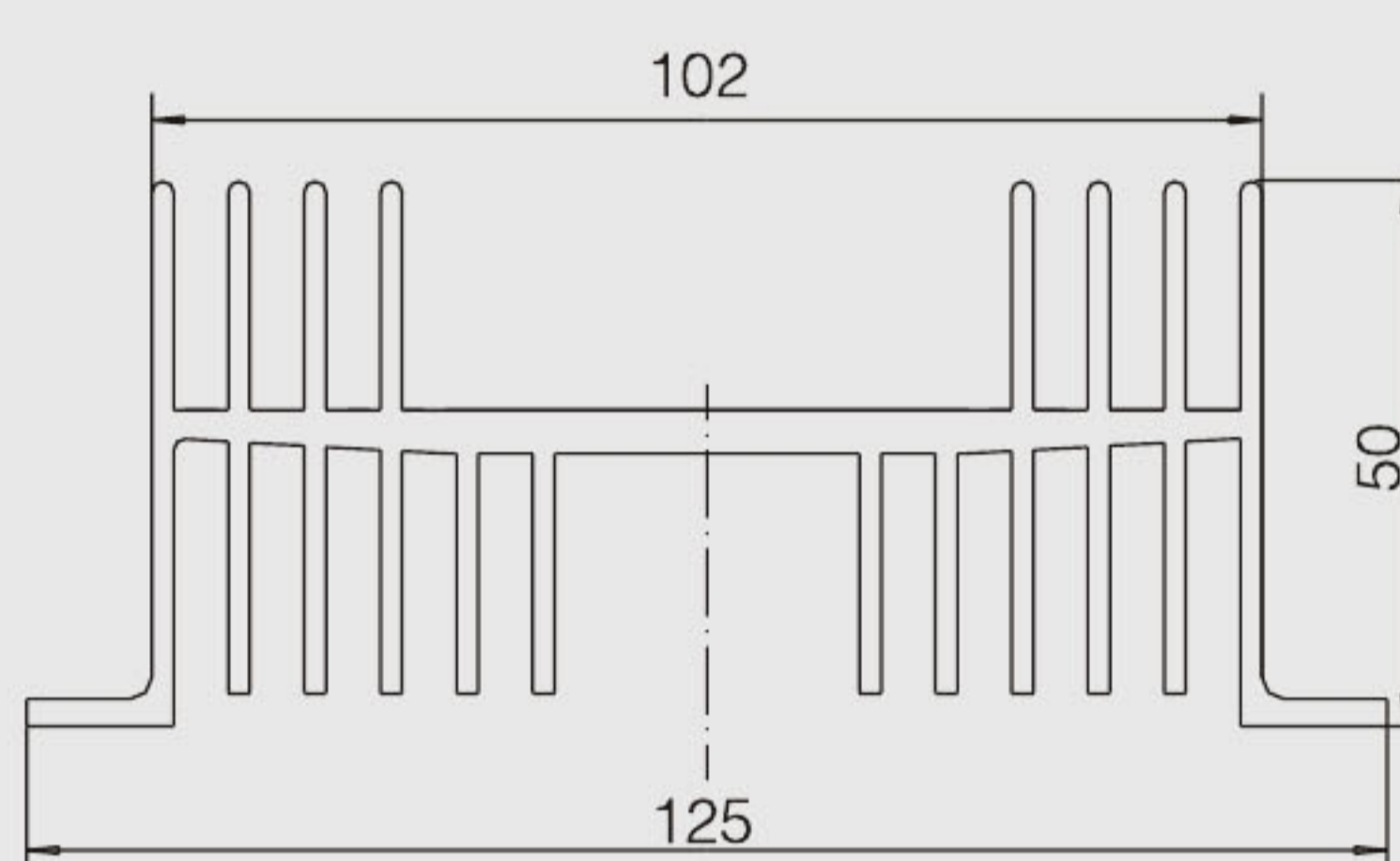
型号Model	长×宽×高(L×W×H)
XN-80	80×90×50mm

- 【I型】单相固态继电器散热器(适用于5-20A)  
XI Single-phase SSR heat sink(For 5-20A)



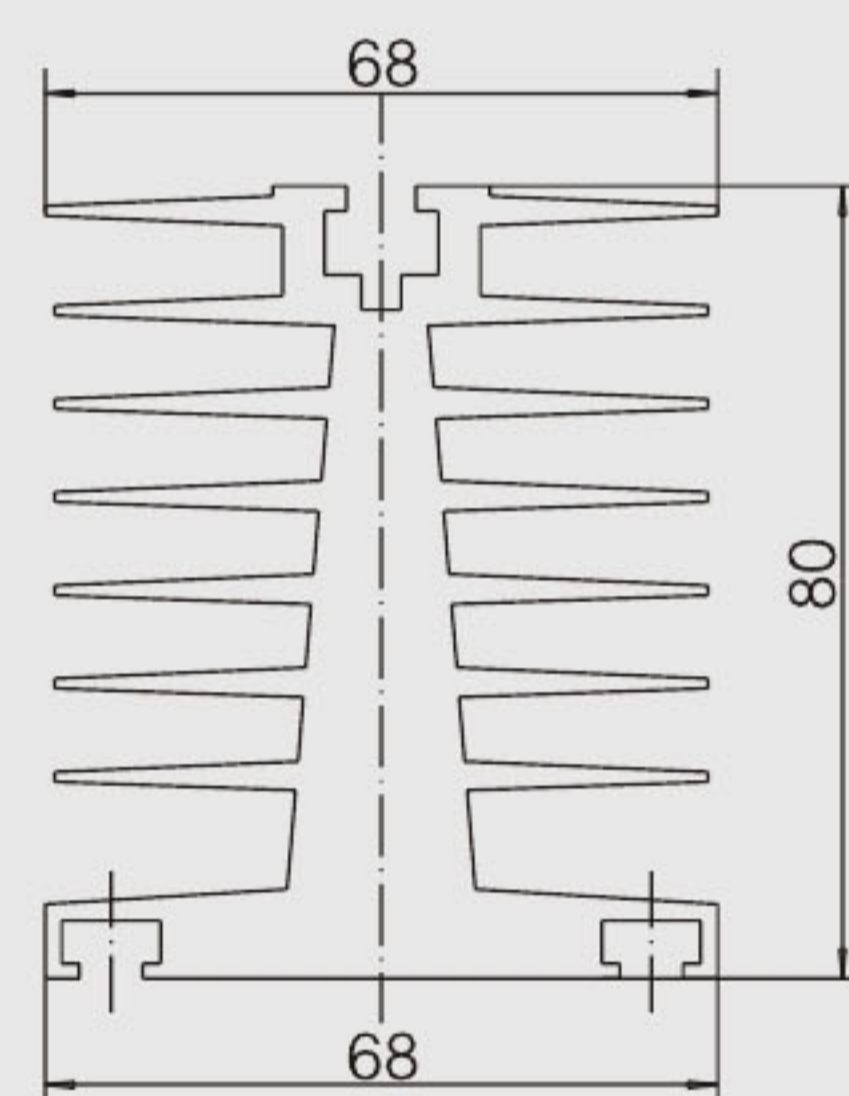
型号Model	长×宽×高(L×W×H)
XI-50	50×60×50mm

- 【W型】单相固态继电器散热器(适用于10-100A)  
XW Single-phase SSR heat sink(For 10-100A)



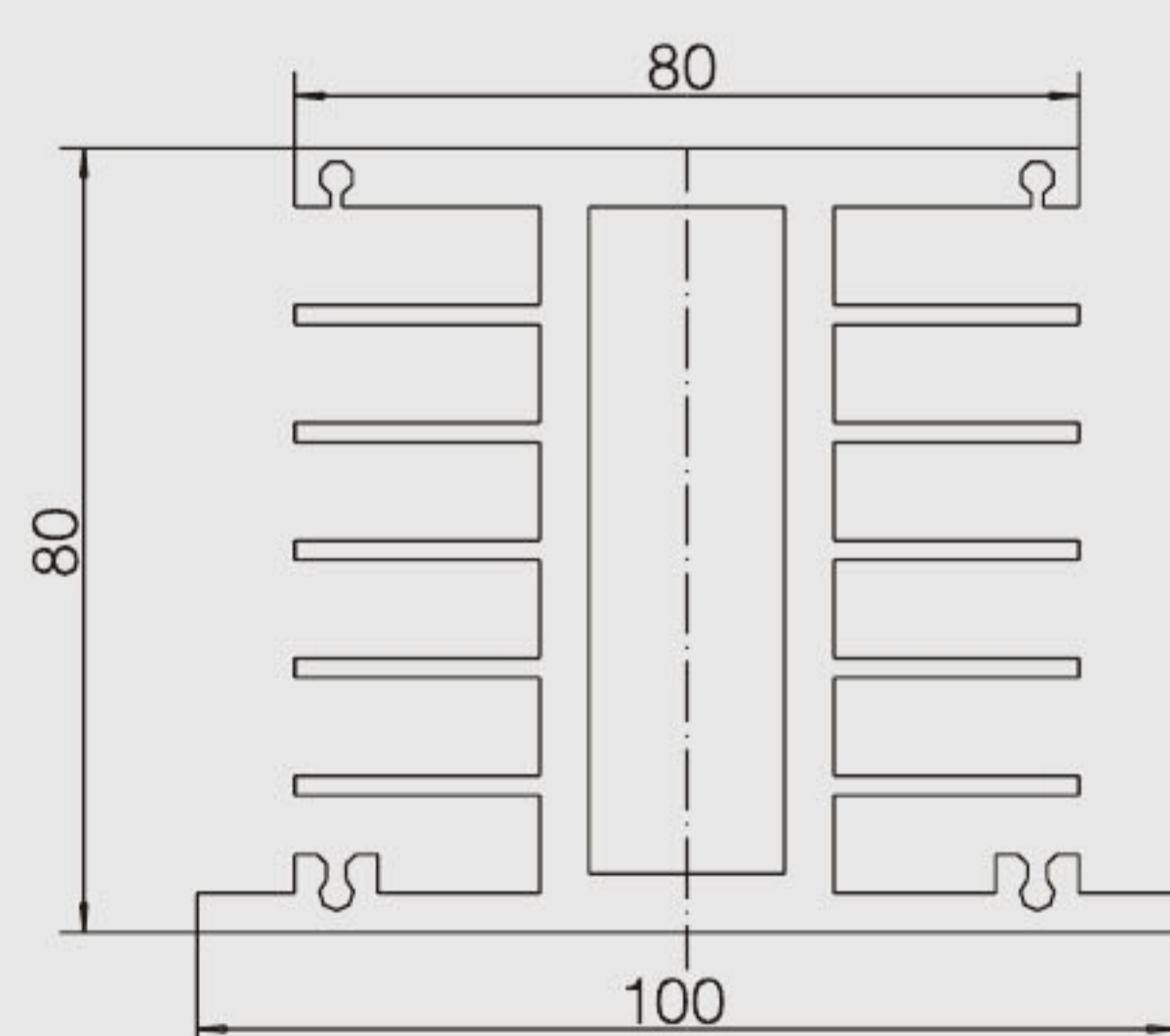
型号Model	长×宽×高(L×W×H)
XW-60	60×125×50mm
XW-70	70×125×50mm
XW-110	110×125×50mm
XW-150	150×125×50mm

- 【T型】单相固态继电器散热器(适用于10-100A)  
XT Single-phase SSR heat sink(For 10-100A)



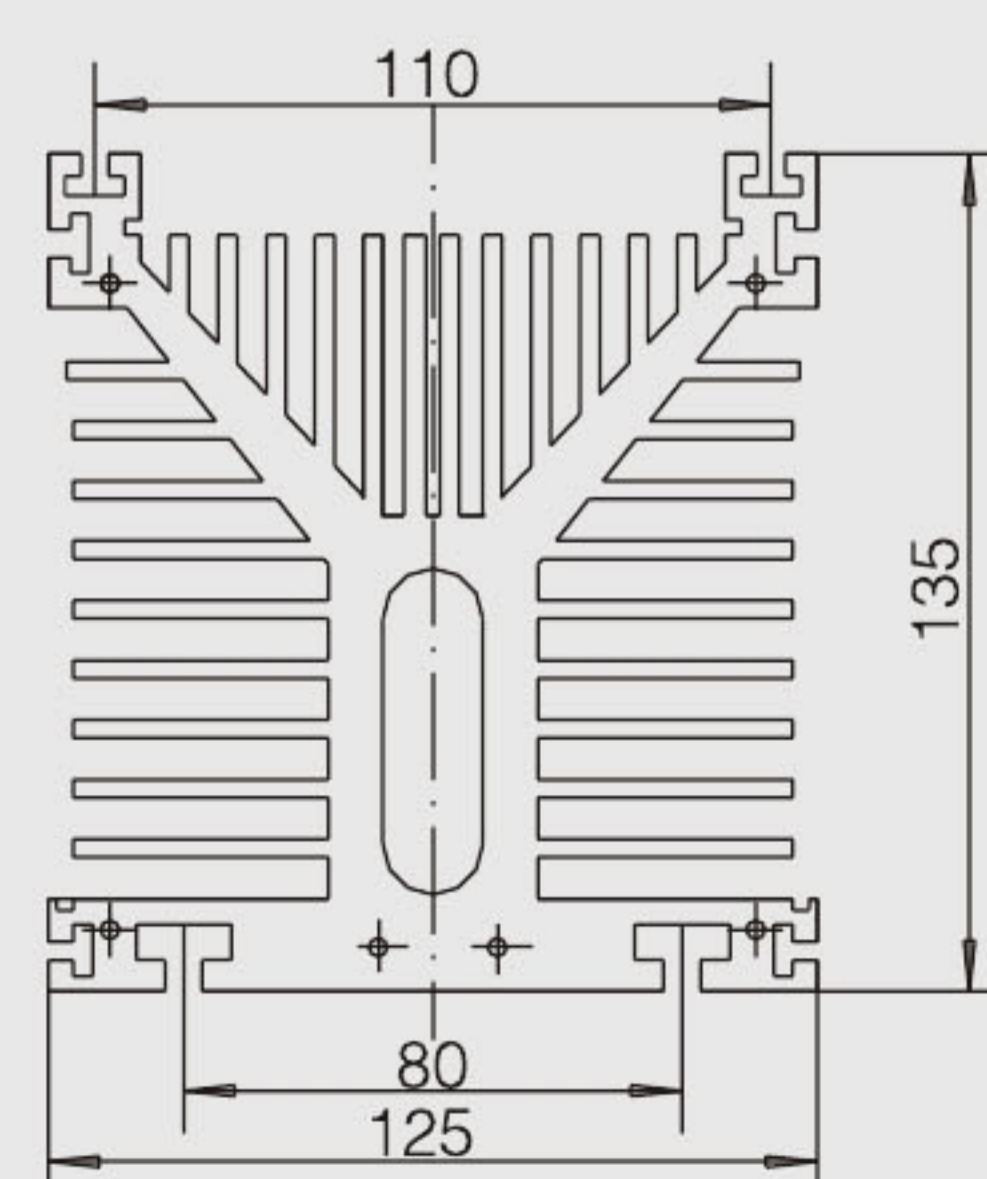
型号Model	长×宽×高(L×W×H)
XT-66	66×68×80mm
XT-110	110×68×80mm
XT-132	132×68×80mm

- 【H型】三相固态继电器散热器(适用于10-100A)  
XH Three-phase SSR heat sink(For 10-100A)



型号Model	长×宽×高(L×W×H)
XH-110	110×80×80mm
XH-132	132×80×80mm
XH-150	150×80×80mm

- 【Y型】大功率固态继电器散热器(适用于100-600A)  
XY Hi-power SSR heat sink(For 100-600A)



型号Model	长×宽×高(L×W×H)
XY-130	130×125×135mm
XY-160	160×125×135mm
XY-180	180×125×135mm
XY-200	200×125×135mm
XY-220	220×125×135mm