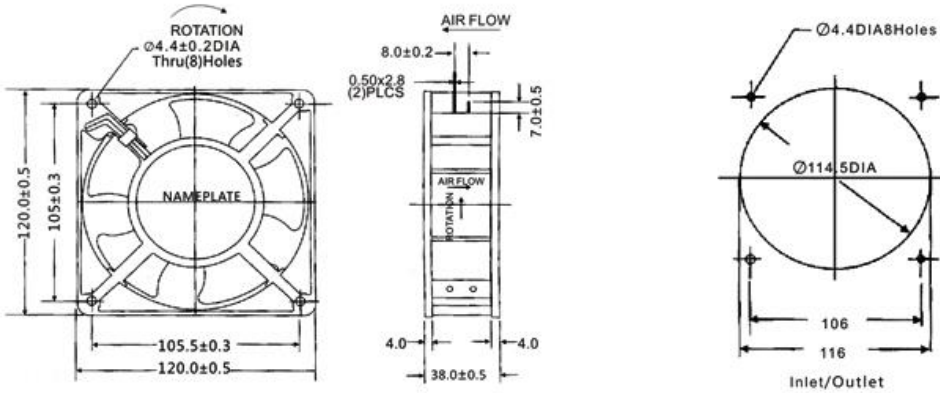




Size: 120mmx120mmx38mm
Airflow: 122~162m³/hr
 72~95CFM
Weight: 480g
Noise: 39~48dBA
Impeller: PBT Thermoplastic Black, UL94-V0
Frame: Aluminum Alloy
Terminals: 0.5mm
Lead Wire: AWG#22 UL 1007(Optional)
Motor: Shaded Pole Induction Motor
Operation Temperature: - 10°C~+65°C



Model	Voltage VAC	Freq. Hz	Current: A	Power W	Speed RPM	Noise dBA	Air Flow		Phase	Capacitor
							M3/hr	CFM		
HB12038HA,B(S)	100~125	50/60	0.22/0.18	21/18	2600/3000	43/48	138/162	82/95	1	/
HB12038HA,B(S)	200~240	50/60	0.14/0.12	21/18	2600/3000	43/48	138/162	82/95	1	/
HB12038HA,B(S)	380	50/60	0.09/0.07	21/18	2600/3000	39/44	138/162	82/95	1	/

