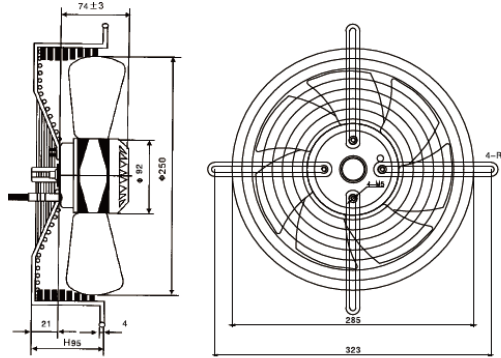
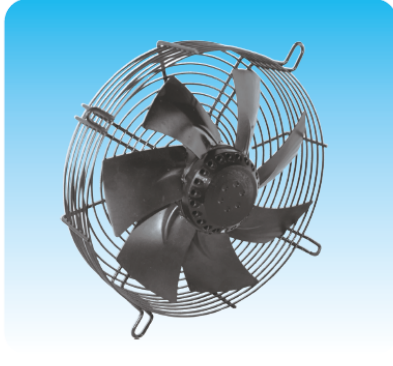


AC axial fan

交流轴流风机



- 风量 Airflow: 900-1970m3/hr
530-1160CFM
- 重量 Weight: 3000g
- 噪音 Noise: 60-70dBA
- 风叶 Impeller Material: Metal
- 外框 Frame: Metal guard
- 端子 Terminals: 0.5mm
- 引线 Lead Wire: Teflon 22#UL 1332(Optional)
- 马达 Motor: Capacitor-Run And External Rotor Induction Motor
- 温度范围 Operating Temperature: -10℃~+105℃

产品型号 Model	轴承型式 Bearing System	电压 Voltage VAC	频率 Freq. Hz	电流 Current A	功率 Power W	转速 Speed RPM	噪音 Noise dBA	风量 Air Flow		相数 Phase	电容 Capacitor
								M3/hr	CFM		
250FZL2-7P	Ball	200/240	50/60	0.3	50	1300/1500	60/65	900/1020	530/600	1	4.0uF/450V
250FZL3-7P		380/420	50/60	0.2	50	1300/1500	60/65	900/1020	530/600	3	—
250FZL4-7P		380/420	50/60	0.35	50	1300/1500	60/65	900/1020	530/600	1	2.2uF/630V
250FZL1-7P		100/125	50/60	1.2/1.3	126/148	2500/2700	69/70	1865/1970	1098/1160	1	2*8uF/250v
250FZL6-7P		200/240	50/60	0.58/0.63	126/148	2500/2700	69/70	1865/1970	1098/1160	1	4uF/630v
250FZL7-7P		380/420	50/60	0.32	120	2500/2700	69/70	1865/1970	1098/1160	3	—
250FZL8-7P		380/420	50/60	0.36	120	2500/2700	69/70	1865/1970	1098/1160	1	2.0uF/500v

