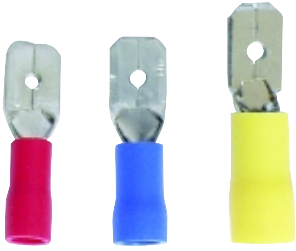


Male Insulated Disconnecter

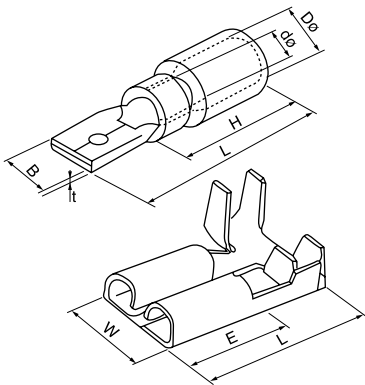
Specifications



Lead section: 0.5~1.5mm²(22~16) Max current: =10A

ITEM.NO.	Meme Tab (mm)	Thickness (mm)	Dimension (mm)				
			B	dØ	DØ	L	H
MDD1.25-11(8)	0.8 x 2.8	0.8	2.8	1.70	4.3	17.7	10
MDD1.25-187(5)	0.5 x 4.75	0.5	4.75	1.70	4.3	20.0	10
MDD1.25-187(8)	0.8 x 4.75	0.8	4.75	1.70	4.3	18.5	10
MDD1.25-250	0.8 x 6.35	0.4	6.35	1.70	4.3	21.0	10

Lead section: 1.5~2.5mm²(16~14) Max current: =15A



ITEM.NO.	Meme Tab (mm)	Thickness (mm)	Dimension (mm)				
			B	dØ	DØ	L	H
MDD2-187(5)	0.5 x 4.75	0.5	4.75	2.3	4.3	20.0	10
MDD2-187(8)	0.8 x 4.75	0.8	4.75	2.3	4.3	18.5	10
MDD2-250	0.8 x 6.35	0.4	6.35	2.3	4.3	21.0	10

Lead section: 4~6mm²(12~10) Max current: =24A

ITEM.NO.	Meme Tab (mm)	Thickness (mm)	Dimension (mm)				
			B	dØ	DØ	L	H
MDD5.5-250	0.8 x 6.35	0.4	6.35	3.4	5.7	25.0	14.0

Male and Female Full-Insulated Terminal



• Max. Current: 10A • Metal: Brass • Insulated Material: Nylon

Item.No.	Specifica-tion	Dimension(mm)							Fig	A.W.G mm ²	Color
		W	F	L	B	DØ	CØ	T			
FDFN 1.25-250	0.8 x 6.35	6.6	7.3	22.0	11.0	4.0	1.7	0.4	1	22-16A.W.G	Red
MDFN 1.25-250		6.35	7.7	23.0					2		

• Max. Current: 15A • Metal: Brass • Insulated Material: Nylon

Item.No.	Specifica-tion	Dimension(mm)							Fig	A.W.G mm ²	Color
		W	F	L	B	DØ	CØ	T			
FDFN 2-250	0.8 x 6.35	6.6	7.3	22.0	11.0	4.0	2.3	0.4	1	16-14A.W.G	Blue
MDFN 2-250		6.35	7.7	24.0					2		

• Max. Current: 24A • Metal: Brass • Insulated Material: Nylon

Item.No.	Specifica-tion	Dimension(mm)							Fig	A.W.G mm ²	Color
		W	F	L	B	DØ	CØ	T			
FDFN 5.5-250	0.8 x 6.35	6.6	7.3	22.0	13.0	6.3	3.4	0.4	1	12-10A.W.G	Yellow
MDFN 5.5-250		6.35	7.7	25.0					2		

