

# EBCHQ



**HY—Motor start capacitor series**

**Model: HY30**

## Features

- ◆ Plastic Case, Moisture and Oil Resistant
- ◆ UL Recognized Capacitors

## General Specifications

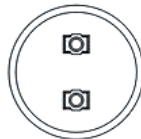
Operating Temperature: -40 to +70 °C  
Voltage Range : 110/125V AC  
Capacitance full Range : 21~1280 $\mu$ F  
Capacitance Tolerance: -0%~+20%  
Operating Frequency: 50~60Hz  
Case Size: 8 Standard Size from 1.437 " x2.750 " ~2.562 " x4.375 "  
Termination: 1/4 " Quick Disconnect Terminals(Std.)  
Performance Specification: Meets Requirements of EIA-463-A  
Starting and running of single phase motors in alternating current usage.

## Product Description

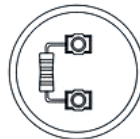
This kind of the capacitors are developed and researched according to standard of American Electronics Association (ANSI/EIA-463). The external case of the capacitor is made of bakelite plasticized that its character are not only good insulating resistance and strong resistance damaged bus also protecting electro-liquid as good sealed feature. It is popular used for the super AC application as good life, higher degree of reliability and stability.

## Technical characteristics

Standard Terminal and Resistor Layouts

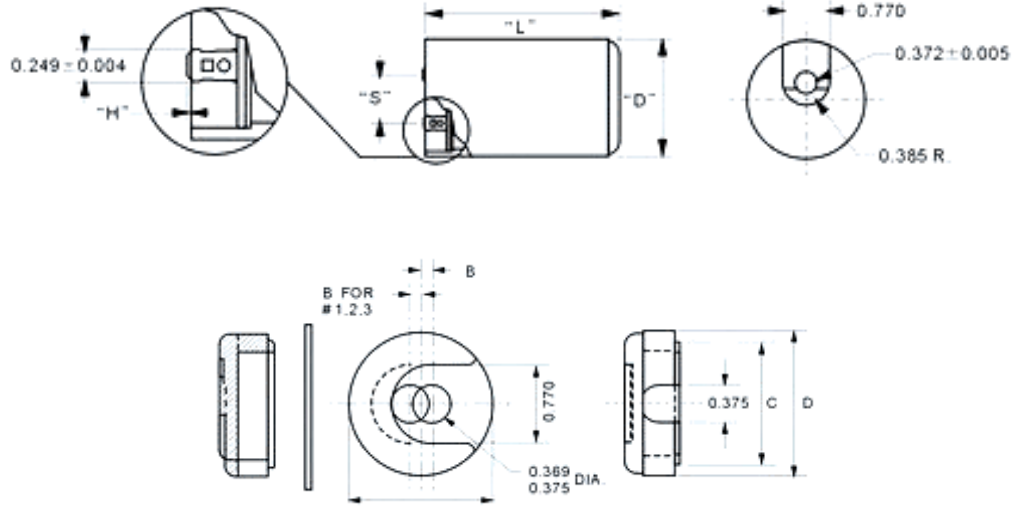


Dual disconnect all cases



Dual disconnect with resistor all cases

## Capacitor and Terminal Dimensions



### Dimensions(mm)

voltage(VAC)	Ref.	Capacitance( $\mu$ F)	D×H(mm)	Leads
110/125V	<b>64250</b>	88 ~ 106 $\mu$ F	36×70	Faston Conector
	<b>64252</b>	108 ~ 130 $\mu$ F	36×70	
	<b>64254</b>	124 ~ 149 $\mu$ F	36×70	
	<b>64256</b>	130 ~ 156 $\mu$ F	36×70	
	<b>64258</b>	145 ~ 174 $\mu$ F	36×70	
	<b>64260</b>	161 ~ 193 $\mu$ F	36×70	
	<b>64262</b>	189 ~ 227 $\mu$ F	36×85	
	<b>64264</b>	216 ~ 259 $\mu$ F	36×85	
	<b>64266</b>	270 ~ 324 $\mu$ F	36×85	
	<b>64268</b>	324 ~ 389 $\mu$ F	46×85	
	<b>64270</b>	340 ~ 408 $\mu$ F	46×85	