

公司简介 Company Introduction

上海向开电气有限公司创建于上世纪七十年代，是一家集技术研发、生产制造、销售服务为一体的科技型企业。

经数十年生产经营传承，公司研发实力雄厚，新产品层出不穷。上世纪末公司在特殊用途端子领域进行了深度研发，经十多年的发展，已成为该领域的引领者，取得了骄人的业绩。目前已经形成了两大系列：大电流接线/分线端子和电缆T接端子。所研发的产品全部拥有自主知识产权，获得十多项国家专利。其中的XK2系列多用途端子获得国家发明专利（ZL200910049966.3），该产品技术国际领先，已远销至欧洲、美洲和大洋洲，并为国际知名企业配套选用；电缆“T”接端子的问世不仅填补了国内空白，而且迅速成为了建筑电气行业性价比最高的电缆分线（T型连接）产品之一，投产十多年以来，已先后为首都机场、浦东机场、奥运工程、世博场馆、高铁工程等上千项国家级重点工程所选用。目前该产品已发展为四大系列，其中一款也获得发明专利(ZL201010190790.6)。产品先后获得建设部《全国住宅小区与智能建筑推荐产品》和《政府保障性电气工程推荐供应商》等称号。

企业已通过ISO-9001质量体系认证。产品先后通过了CE、CQC等认证。

我们的宗旨是为海内外客户提供满意的产品和周到的服务。欢迎选用“向开”牌电气产品。

Shanghai XiangKai Electric Co., Ltd is a technology-driven electrical components design and manufacture company, headquarter in Shanghai, China. Our mission is to provide high quality electrical products and service to our worldwide customer-base.

Entering the 21st century, Shanghai XiangKai Electric Co., Ltd has started our development in the area of specialty terminal blocks and become the segment leader in China. We have published multiple patents and rolled out corresponding new products every year in the past decade. Our high current terminal blocks, multipurpose blocks and separators has been chosen by Siemens, Moeller Electric, Rockwell Automation, ABB, Schneider Electric, and Himoina in their systems. Our T-connection blocks have been proved by many customers as the most cost-effective and reliable product in the market. They are recommended by the China Construction Bureau and used in many Chinese national projects such as Pudong Airport, Beijing Airport, Beijing Olympics, Shanghai World Expo and High-speed Rail constructions.

Our product lines are backed up by a strong R&D and support team to develop best products tailored to customer needs. Shanghai XiangKai Electric Co is ISO-9001 certified and our products have passed, CE, CQC certification.



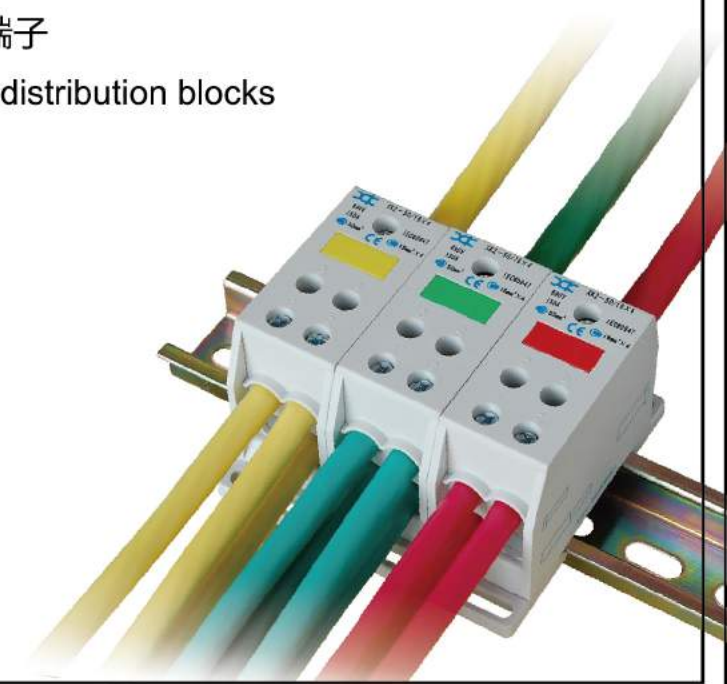
—— 演绎接线新概念 引领端子新潮流 ——



CONTENTS

产品目录

- B1-B7 XK2 多用途接线端子
XK2 Power distribution blocks
- B8-B10 XK2S 多用途接线端子（开关型）
XK2S Power distribution blocks for switchgears
- B11-B16 JH27 大电流接线、分线端子
JH27 high-current power distribution blocks
- B17 XKF 分离式接线柱
XKF Separators



XK2系列多用途接线端子系专为各类电控配电设备、成套装置及组合式终端电器箱中配线而设计，产品的额定绝缘电压690V，额定工作电压380V，进线端接入导线的截面为：10mm²~300mm²；出线端可连接导线的截面为：1mm²~50mm²。该产品结构新颖独特，接线牢固可靠，使用灵活方便。是各类电气装置中母线排（汇流排）、大电流分线端子、接零、接地端子、等电位端子等产品理想的升级换代产品。

XK2系列多用途接线端子相比较同类产品有如下突破性设计：

- 导电部分为导电片加压线框结构，节约有色金属，体积更轻，降低制造和使用成本，造福用户；
- 接线时不用先拧松螺钉，导线可直接插入端子再紧固螺钉即可，使效率提高、工效倍增；
- 外形美观坚固，防护等级IP20，使用更安全；
- 两种安装方式：底板直接安装，导轨安装；
- 符合IEC标准颜色的标记条；
- 符合IEC60947-7-1，GB14048.7.1标准；
- 两种并联模式：内部并联，外部并联。通过以上两种模式的并联可以组合成数百种接线款式，成为端子中名副其实的“百变金刚”。

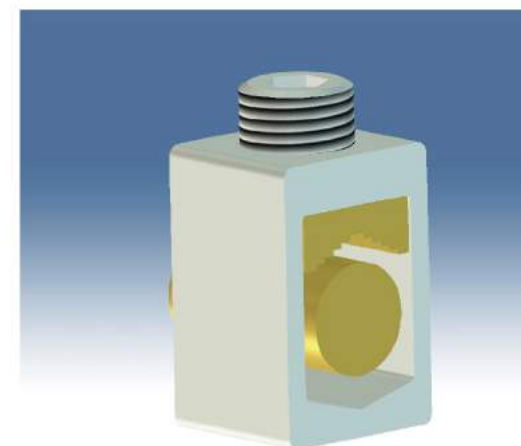


XK2 series is designed for a wide variety of electrical systems. It is a perfect upgrade for busbars, traditional power distribution blocks and strip connections. The unique socket design provides customers safe and reliable installation.

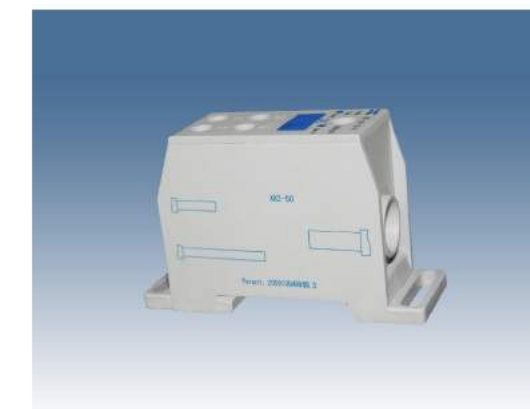
- Provides hundreds of input/output combination with internal and external parallel connection methods, giving wiring professionals remarkable flexibility.
- Low-cost and reliable contact point design.
- Supports 10mm²~300mm² gauge in and 1mm²~50mm² gauge out.
- Insert and click to connect cable, no need to loose screw.
- Can be mounted on TH 35 DIN rail or on base-plate.
- Passed UL 94 V-0 flammability test.
- IEC 60529 IP20 rated safety protection.
- IEC standard color code (blue, red, yellow, green, and yellow-green)
- Fit for IEC60947-7-1.



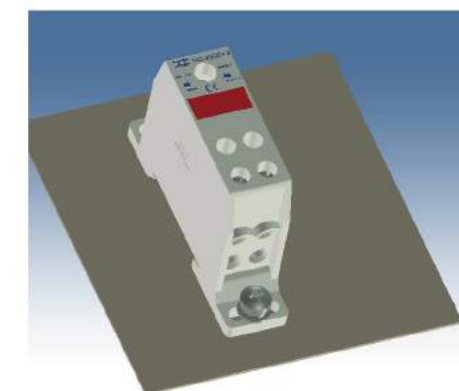
● 筒式接线
Cylinder Input



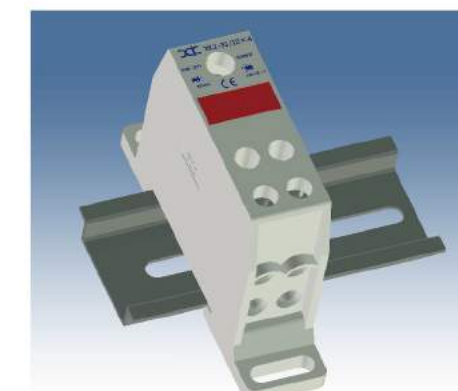
● 导电连接
Conductive body connection



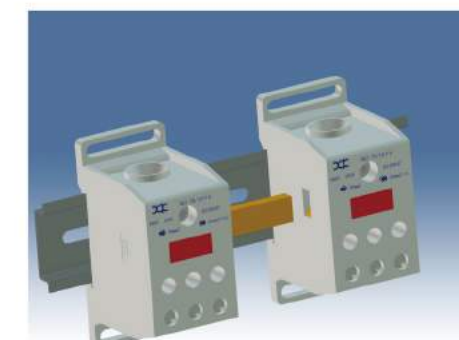
● 剥线长度1:1直接量取
Stripping length indicator (1:1)



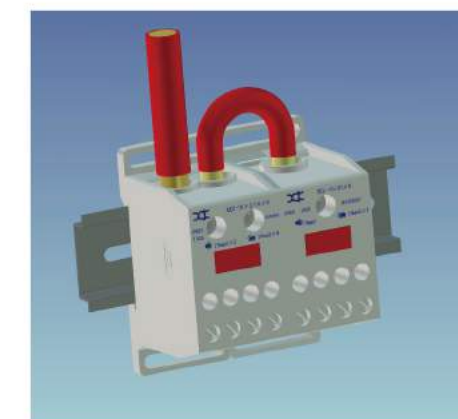
● 底板安装
Mount on base-plate through bolts/screws



● 导轨安装
Mount on TH 35 DIN rail



● 内部并联
Internal parallel connection



● 外部并联
External parallel connection

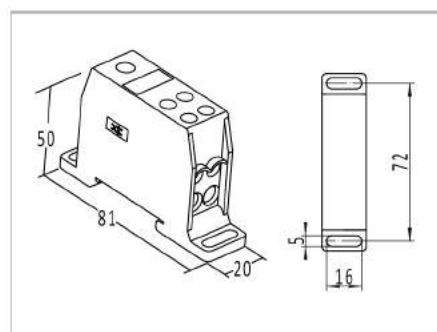
专利号：200910049966.3 201120147238.9
Patent No:





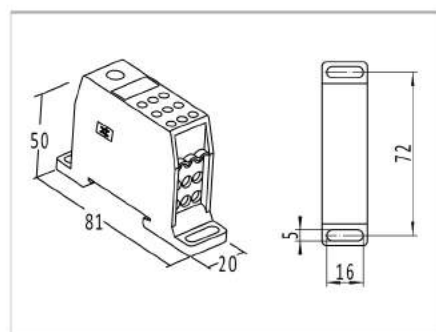
XK2-35/10x4

| | |
|-------------------------|--|
| 接线型式 Connection type | 一路进线，四路出线 1 input, 4 output |
| 电流 Rated current | 125A |
| 电压 Rated voltage | 690V |
| 进线 Inputs | 10~35mm ² |
| 压线螺钉 Screw | M8 |
| 螺钉头形 Screw heads | |
| 扭矩 Torque | 6N·m |
| 出线 Outputs | 4x2.5~10mm ² |
| 压线螺钉 Screw | M4 |
| 螺钉头形 Screw heads | |
| 扭矩 Torque | 1.2~1.8N·m |
| 安装螺钉 Mounting screw | M4 |
| 包装 Packaging | 20 |
| 色号 Color code | <ul style="list-style-type: none"> ● -Y ● - B ● -G ● -YG ● -R ● -LG |
| 订货号 Order No | XK05110 |



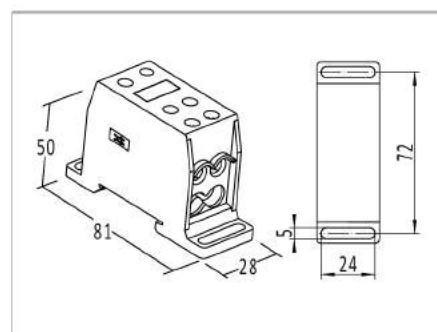
XK2-35/4x9

| | |
|-------------------------|--|
| 接线型式 Connection type | 一路进线，九路出线 1 input, 9 output |
| 电流 Rated current | 125A |
| 电压 Rated voltage | 690V |
| 进线 Inputs | 10~35mm ² |
| 压线螺钉 Screw | M8 |
| 螺钉头形 Screw heads | |
| 扭矩 Torque | 6N·m |
| 出线 Outputs | 9x1~4mm ² |
| 压线螺钉 Screw | M3 |
| 螺钉头形 Screw heads | |
| 扭矩 Torque | 0.5~0.8N·m |
| 安装螺钉 Mounting screw | M4 |
| 包装 Packaging | 20 |
| 色号 Color code | <ul style="list-style-type: none"> ● -Y ● - B ● -G ● -YG ● -R ● -LG |
| 订货号 Order No | XK05120 |



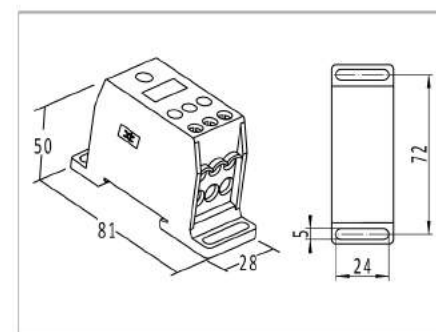
XK2-35+25/16x4

| | |
|-------------------------|--|
| 接线型式 Connection type | 二路进线，四路出线 2 input, 4 output |
| 电流 Rated current | 125A |
| 电压 Rated voltage | 690V |
| 进线 Inputs | 1x10~35mm ² 1x6~25mm ² |
| 压线螺钉 Screw | M8 M5 |
| 螺钉头形 Screw heads | |
| 扭矩 Torque | 6N·m 2.5N·m |
| 出线 Outputs | 4x4~16mm ² |
| 压线螺钉 Screw | M4 |
| 螺钉头形 Screw heads | |
| 扭矩 Torque | 1.5~2N·m |
| 安装螺钉 Mounting screw | M4 |
| 包装 Packaging | 12 |
| 色号 Color code | <ul style="list-style-type: none"> ● -Y ● - B ● -G ● -YG ● -R ● -LG |
| 订货号 Order No | XK05130 |



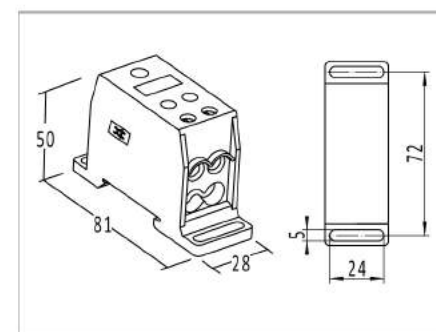
XK2-50/10x6

| | |
|-------------------------|--|
| 接线型式 Connection type | 一路进线，六路出线 1 input, 6 output |
| 电流 Rated current | 150A |
| 电压 Rated voltage | 690V |
| 进线 Inputs | 16~50mm ² |
| 压线螺钉 Screw | M8 |
| 螺钉头形 Screw heads | |
| 扭矩 Torque | 6N·m |
| 出线 Outputs | 6x2.5~10mm ² |
| 压线螺钉 Screw | M4 |
| 螺钉头形 Screw heads | |
| 扭矩 Torque | 1.2~1.8N·m |
| 安装螺钉 Mounting screw | M4 |
| 包装 Packaging | 12 |
| 色号 Color code | <ul style="list-style-type: none"> ● -Y ● - B ● -G ● -YG ● -R ● -LG |
| 订货号 Order No | XK05210 |



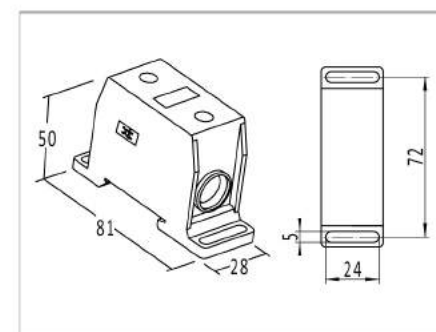
XK2-50/16x4

| | |
|-------------------------|--|
| 接线型式 Connection type | 一路进线，四路出线 1 input, 4 output |
| 电流 Rated current | 150A |
| 电压 Rated voltage | 690V |
| 进线 Inputs | 16~50mm ² |
| 压线螺钉 Screw | M8 |
| 螺钉头形 Screw heads | |
| 扭矩 Torque | 6N·m 2.5N·m |
| 出线 Outputs | 4x4~16mm ² |
| 压线螺钉 Screw | M4 |
| 螺钉头形 Screw heads | |
| 扭矩 Torque | 1.5~2N·m |
| 安装螺钉 Mounting screw | M4 |
| 包装 Packaging | 12 |
| 色号 Color code | <ul style="list-style-type: none"> ● -Y ● - B ● -G ● -YG ● -R ● -LG |
| 订货号 Order No | XK05220 |



XK2-70

| | |
|-------------------------|--|
| 接线型式 Connection type | 一路进线，一路出线 1 input, 1 output |
| 电流 Rated current | 192A |
| 电压 Rated voltage | 690V |
| 进线 Inputs | 25~70mm ² |
| 压线螺钉 Screw | M10 |
| 螺钉头形 Screw heads | |
| 扭矩 Torque | 10N·m |
| 出线 Outputs | 25~70mm ² |
| 压线螺钉 Screw | M10 |
| 螺钉头形 Screw heads | |
| 扭矩 Torque | 10N·m |
| 安装螺钉 Mounting screw | M4 |
| 包装 Packaging | 12 |
| 色号 Color code | <ul style="list-style-type: none"> ● -Y ● - B ● -G ● -YG ● -R ● -LG |
| 订货号 Order No | XK05300 |





XK2-70/6x12

XK2-70/10x8

XK2-70x2/10x8

XK2-70/16x6

XK2-95/25x4

XK2-120/16x8

| | | | | | | | |
|-------------------------|---|------|-------|------|-------|------|-------|
| 接线型式 Connection type | 一路进线，十二路出线 1 input, 12 output | | | | | | |
| 电流 Rated current | 192A | | | | | | |
| 电压 Rated voltage | 690V | | | | | | |
| 进线 Inputs | 25~70mm ² | | | | | | |
| 压线螺钉 Screw | M10 | | | | | | |
| 螺钉头形 Screw heads | | | | | | | |
| 扭矩 Torque | 10N·m | | | | | | |
| 出线 Outputs | 12x1.5~6mm ² | | | | | | |
| 压线螺钉 Screw | M3.5 | | | | | | |
| 螺钉头形 Screw heads | | | | | | | |
| 扭矩 Torque | 0.8~1.5N·m | | | | | | |
| 安装螺钉 Mounting screw | M4 | | | | | | |
| 包装 Packaging | 10 | | | | | | |
| 色号 Color code | <table border="0"> <tr> <td>● -Y</td> <td>● - B</td> </tr> <tr> <td>● -G</td> <td>● -YG</td> </tr> <tr> <td>● -R</td> <td>● -LG</td> </tr> </table> | ● -Y | ● - B | ● -G | ● -YG | ● -R | ● -LG |
| ● -Y | ● - B | | | | | | |
| ● -G | ● -YG | | | | | | |
| ● -R | ● -LG | | | | | | |
| 订货号 Order No | XK05310 | | | | | | |

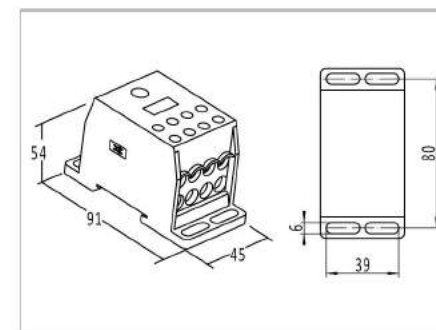
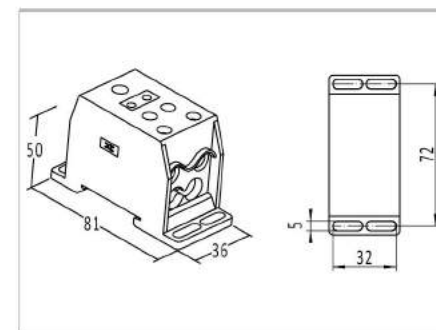
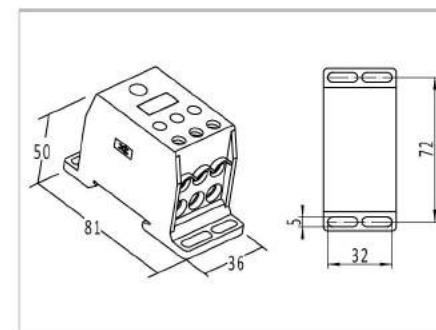
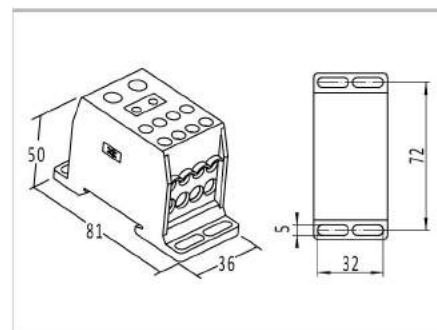
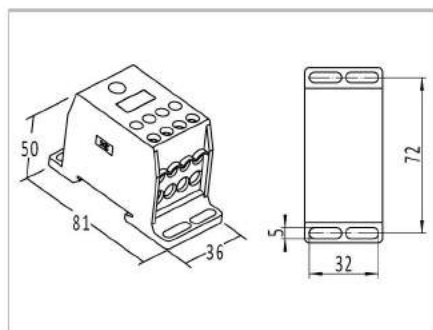
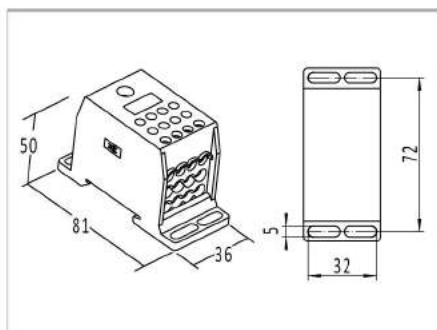
| | | | | | | | |
|-------------------------|---|------|-------|------|-------|------|-------|
| 接线型式 Connection type | 一路进线，八路出线 1 input, 8 output | | | | | | |
| 电流 Rated current | 192A | | | | | | |
| 电压 Rated voltage | 690V | | | | | | |
| 进线 Inputs | 25~70mm ² | | | | | | |
| 压线螺钉 Screw | M10 | | | | | | |
| 螺钉头形 Screw heads | | | | | | | |
| 扭矩 Torque | 10N·m | | | | | | |
| 出线 Outputs | 8x2.5~10mm ² | | | | | | |
| 压线螺钉 Screw | M4 | | | | | | |
| 螺钉头形 Screw heads | | | | | | | |
| 扭矩 Torque | 1.5~1.8N·m | | | | | | |
| 安装螺钉 Mounting screw | M4 | | | | | | |
| 包装 Packaging | 10 | | | | | | |
| 色号 Color code | <table border="0"> <tr> <td>● -Y</td> <td>● - B</td> </tr> <tr> <td>● -G</td> <td>● -YG</td> </tr> <tr> <td>● -R</td> <td>● -LG</td> </tr> </table> | ● -Y | ● - B | ● -G | ● -YG | ● -R | ● -LG |
| ● -Y | ● - B | | | | | | |
| ● -G | ● -YG | | | | | | |
| ● -R | ● -LG | | | | | | |
| 订货号 Order No | XK05320 | | | | | | |

| | | | | | | | |
|-------------------------|---|------|-------|------|-------|------|-------|
| 接线型式 Connection type | 二路进线，八路出线 2 input, 8 output | | | | | | |
| 电流 Rated current | 192A | | | | | | |
| 电压 Rated voltage | 690V | | | | | | |
| 进线 Inputs | 2x25~70mm ² | | | | | | |
| 压线螺钉 Screw | M10 | | | | | | |
| 螺钉头形 Screw heads | | | | | | | |
| 扭矩 Torque | 10N·m | | | | | | |
| 出线 Outputs | 8x2.5~10mm ² | | | | | | |
| 压线螺钉 Screw | M4 | | | | | | |
| 螺钉头形 Screw heads | | | | | | | |
| 扭矩 Torque | 1.5~1.8N·m | | | | | | |
| 安装螺钉 Mounting screw | M4 | | | | | | |
| 包装 Packaging | 10 | | | | | | |
| 色号 Color code | <table border="0"> <tr> <td>● -Y</td> <td>● - B</td> </tr> <tr> <td>● -G</td> <td>● -YG</td> </tr> <tr> <td>● -R</td> <td>● -LG</td> </tr> </table> | ● -Y | ● - B | ● -G | ● -YG | ● -R | ● -LG |
| ● -Y | ● - B | | | | | | |
| ● -G | ● -YG | | | | | | |
| ● -R | ● -LG | | | | | | |
| 订货号 Order No | XK05330 | | | | | | |

| | | | | | | | |
|-------------------------|---|------|-------|------|-------|------|-------|
| 接线型式 Connection type | 一路进线，六路出线 1 input, 6 output | | | | | | |
| 电流 Rated current | 192A | | | | | | |
| 电压 Rated voltage | 690V | | | | | | |
| 进线 Inputs | 25~70mm ² | | | | | | |
| 压线螺钉 Screw | M10 | | | | | | |
| 螺钉头形 Screw heads | | | | | | | |
| 扭矩 Torque | 10N·m | | | | | | |
| 出线 Outputs | 6x4~16mm ² | | | | | | |
| 压线螺钉 Screw | M4 | | | | | | |
| 螺钉头形 Screw heads | | | | | | | |
| 扭矩 Torque | 1.5~2N·m | | | | | | |
| 安装螺钉 Mounting screw | M4 | | | | | | |
| 包装 Packaging | 10 | | | | | | |
| 色号 Color code | <table border="0"> <tr> <td>● -Y</td> <td>● - B</td> </tr> <tr> <td>● -G</td> <td>● -YG</td> </tr> <tr> <td>● -R</td> <td>● -LG</td> </tr> </table> | ● -Y | ● - B | ● -G | ● -YG | ● -R | ● -LG |
| ● -Y | ● - B | | | | | | |
| ● -G | ● -YG | | | | | | |
| ● -R | ● -LG | | | | | | |
| 订货号 Order No | XK05340 | | | | | | |

| | | | | | | | |
|-------------------------|---|------|-------|------|-------|------|-------|
| 接线型式 Connection type | 一路进线，四路出线 1 input, 4 output | | | | | | |
| 电流 Rated current | 232A | | | | | | |
| 电压 Rated voltage | 690V | | | | | | |
| 进线 Inputs | 25~95mm ² | | | | | | |
| 压线螺钉 Screw | M10 | | | | | | |
| 螺钉头形 Screw heads | | | | | | | |
| 扭矩 Torque | 10N·m | | | | | | |
| 出线 Outputs | 4x6~25mm ² | | | | | | |
| 压线螺钉 Screw | M5 | | | | | | |
| 螺钉头形 Screw heads | | | | | | | |
| 扭矩 Torque | 2.5~3N·m | | | | | | |
| 安装螺钉 Mounting screw | M4 | | | | | | |
| 包装 Packaging | 10 | | | | | | |
| 色号 Color code | <table border="0"> <tr> <td>● -Y</td> <td>● - B</td> </tr> <tr> <td>● -G</td> <td>● -YG</td> </tr> <tr> <td>● -R</td> <td>● -LG</td> </tr> </table> | ● -Y | ● - B | ● -G | ● -YG | ● -R | ● -LG |
| ● -Y | ● - B | | | | | | |
| ● -G | ● -YG | | | | | | |
| ● -R | ● -LG | | | | | | |
| 订货号 Order No | XK05410 | | | | | | |

| | | | | | | | |
|-------------------------|---|------|-------|------|-------|------|-------|
| 接线型式 Connection type | 一路进线，八路出线 1 input, 8 output | | | | | | |
| 电流 Rated current | 269A | | | | | | |
| 电压 Rated voltage | 690V | | | | | | |
| 进线 Inputs | 35~120mm ² | | | | | | |
| 压线螺钉 Screw | M10 | | | | | | |
| 螺钉头形 Screw heads | | | | | | | |
| 扭矩 Torque | 10N·m | | | | | | |
| 出线 Outputs | 8x4~16mm ² | | | | | | |
| 压线螺钉 Screw | M4 | | | | | | |
| 螺钉头形 Screw heads | | | | | | | |
| 扭矩 Torque | 1.5~2N·m | | | | | | |
| 安装螺钉 Mounting screw | M4 | | | | | | |
| 包装 Packaging | 10 | | | | | | |
| 色号 Color code | <table border="0"> <tr> <td>● -Y</td> <td>● - B</td> </tr> <tr> <td>● -G</td> <td>● -YG</td> </tr> <tr> <td>● -R</td> <td>● -LG</td> </tr> </table> | ● -Y | ● - B | ● -G | ● -YG | ● -R | ● -LG |
| ● -Y | ● - B | | | | | | |
| ● -G | ● -YG | | | | | | |
| ● -R | ● -LG | | | | | | |
| 订货号 Order No | XK05510 | | | | | | |



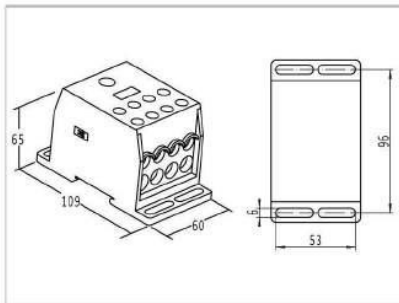
XK2系列 多用途接线端子

XK2 Power distribution blocks



XK2-185/35x8

| | | | | | | | |
|-------------------------|---|------|-------|------|-------|------|-------|
| 接线型式 Connection type | 一路进线，八路出线 1 input, 8 output | | | | | | |
| 电流 Rated current | 353A | | | | | | |
| 电压 Rated voltage | 690V | | | | | | |
| 进线 Inputs | 70~185mm ² | | | | | | |
| 压线螺钉 Screw | M12 | | | | | | |
| 螺钉头形 Screw heads |  | | | | | | |
| 扭矩 Torque | 14N·m | | | | | | |
| 出线 Outputs | 8x10~35mm ² | | | | | | |
| 压线螺钉 Screw | M8 | | | | | | |
| 螺钉头形 Screw heads |  | | | | | | |
| 扭矩 Torque | 6N·m | | | | | | |
| 安装螺钉 Mounting screw | M4 | | | | | | |
| 包装 Packaging | 5 | | | | | | |
| 色号 Color code | <table border="0"> <tr> <td>● -Y</td> <td>● - B</td> </tr> <tr> <td>● -G</td> <td>● -YG</td> </tr> <tr> <td>● -R</td> <td>● -LG</td> </tr> </table> | ● -Y | ● - B | ● -G | ● -YG | ● -R | ● -LG |
| ● -Y | ● - B | | | | | | |
| ● -G | ● -YG | | | | | | |
| ● -R | ● -LG | | | | | | |
| 订货号 Order No | XK05610 | | | | | | |



XK2-120B/16x8

| | | | | | | | |
|-------------------------|---|------|-------|------|-------|------|-------|
| 接线型式 Connection type | 一路进线，八路出线 1 input, 8 output | | | | | | |
| 电流 Rated current | 269A | | | | | | |
| 电压 Rated voltage | 690V | | | | | | |
| 进线 Inputs | 铜排Bar(25x5)mm | | | | | | |
| 压线螺钉 Screw | M8 | | | | | | |
| 螺钉头形 Screw heads |  | | | | | | |
| 扭矩 Torque | 6N·m | | | | | | |
| 出线 Outputs | 8x4~16mm ² | | | | | | |
| 压线螺钉 Screw | M4 | | | | | | |
| 螺钉头形 Screw heads | ⊕ PH2 | | | | | | |
| 扭矩 Torque | 1.5~2N·m | | | | | | |
| 安装螺钉 Mounting screw | M4 | | | | | | |
| 包装 Packaging | 10 | | | | | | |
| 色号 Color code | <table border="0"> <tr> <td>● -Y</td> <td>● - B</td> </tr> <tr> <td>● -G</td> <td>● -YG</td> </tr> <tr> <td>● -R</td> <td>● -LG</td> </tr> </table> | ● -Y | ● - B | ● -G | ● -YG | ● -R | ● -LG |
| ● -Y | ● - B | | | | | | |
| ● -G | ● -YG | | | | | | |
| ● -R | ● -LG | | | | | | |
| 订货号 Order No | XK05520 | | | | | | |

