

AUTO DRAINS

AUTO DRAIN SERIES AD

- ✓ Port Sizes 1/4-1
- ✓ Float type automatic drain valve



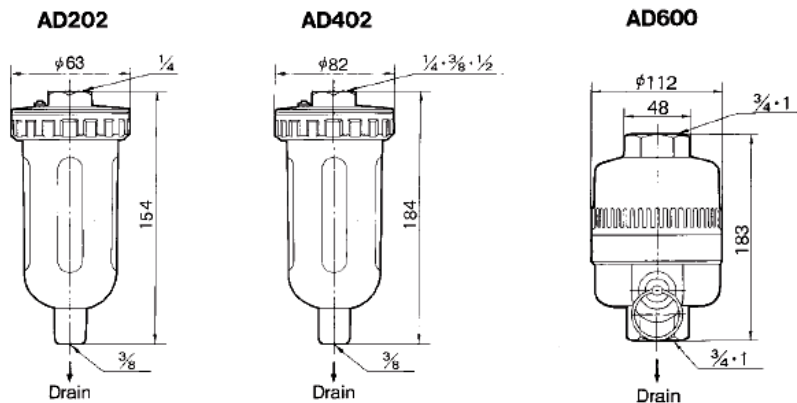
TECHNICAL SPECIFICATIONS

85050 85052

| Type | AD202 | AD402 | AD600 |
|-------------------------------|---------------|---------------|-------------|
| Operating Pressure | 1.5 - 9.9 Bar | 1.5 - 9.9 Bar | 3 - 9.9 Bar |
| Max. supply pressure | 15 Bar | | |
| Max. operating pressure | 1.5 - 9.9 Bar | 9.9 Bar | |
| Ambient and fluid temperature | 5 - 60°C | | |
| Port size | 1/4 | 1/2 | 3/4, 1 |
| Drain port | 1/4 | 3/8 | 3/4, 1 |

DIMENSIONS

AD SERIES AUTO DRAINS



SYMBOLS



HOW TO ORDER
 AUTODRAIN SERIES AD
 AD202-02 (1/4)
 AD402-04 (1/2)
 AD600-06 (3/4)
 AD600-10 (1)