

TE Series Solenoid Valve



● TE-15

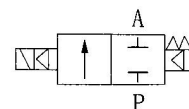


● TE-20



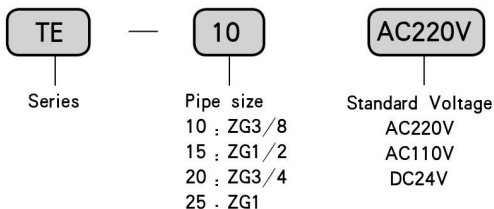
● TE-25

■ Graphics Sign



II

● Ordering Code



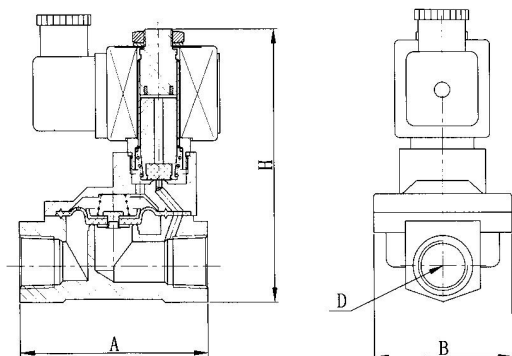
■ Specific Property

This guiding type valve adopts the diaphragm seal structure with quick action, large flow, simple structure, easy maintenance, good waterproof performance and multiple wiring directions.

■ Technical Parameter

Item \ Specification	TE-10	TE-15	TE-20	TE-25
Material of Body	Brass			
Operating Method	Film Pilot			
Nominal Diameter(mm)	13	13	20	25
Applicable Medium	Air	Water		Oil(在 50CST 以下)
Pressure Range	-10 ~ 60°C	1 ~ 60°C		-5 ~ 60°C
Medium Temperature	0.1 ~ 1MPa			
Specified Voltage	AC24V、AC110V、AC220V、DC24V			
Operating Voltage Range	±10%			
Min. Activating Time	0.05S			

■ Figure Dimension



Specification	A	B	D	H
TE-10	66	48	ZG3/8	112
TE-15	66	48	ZG1/2	112
TE-20	96	70	ZG3/4	131
TE-25	96	70	ZG1	131