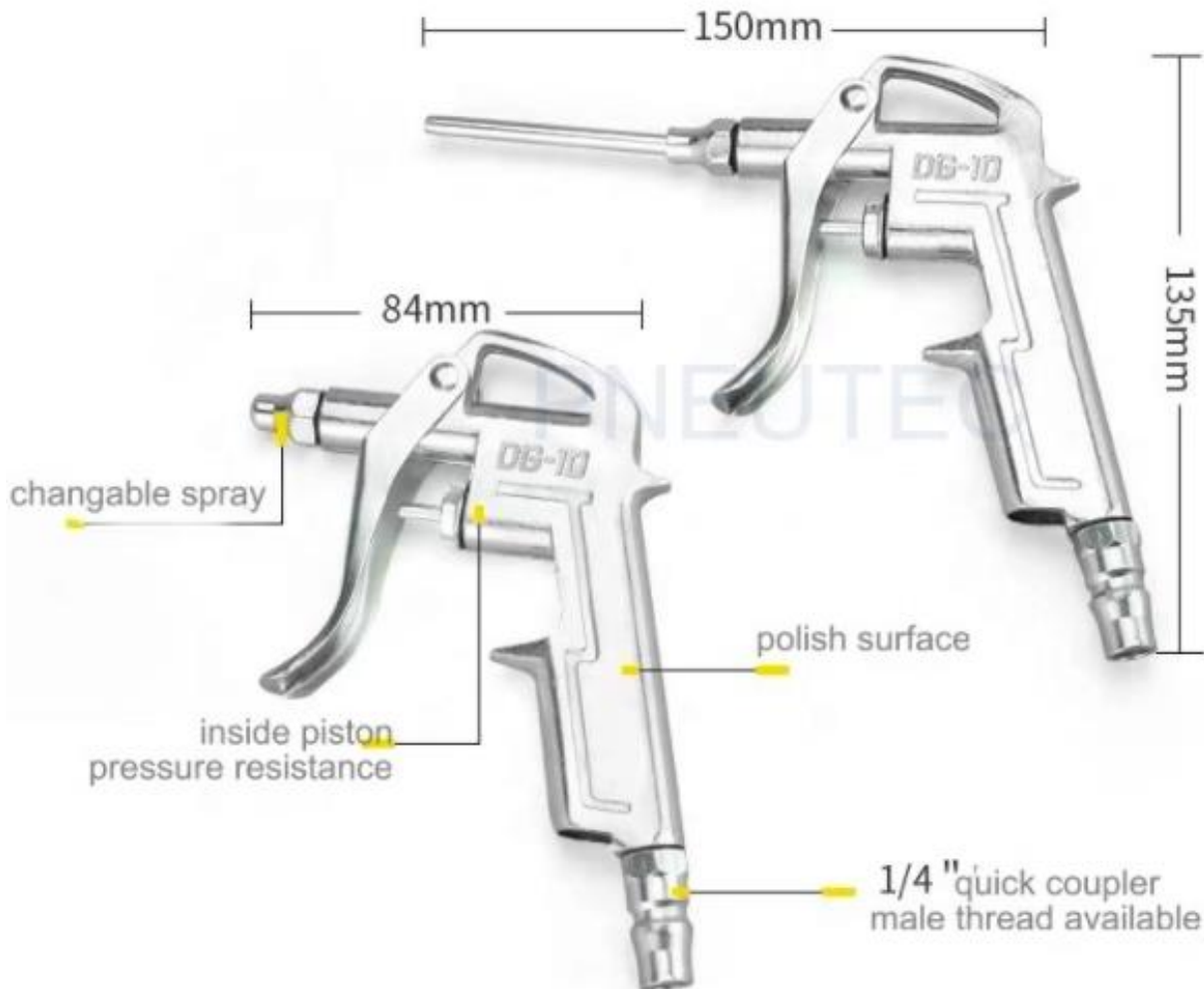


Descripción general

Detalles rápidos

Lugar del origen:	NINGBO CHINA	Marca:	PNEUTEC
Número de Modelo:	DG-10	Tipo:	Boquilla de aire
Consumo de Aire P...:	NO	Par Máximo:	NO
Velocidad Sin Carga:	NO	Name:	Air blow gun
thread with cooper:	yes	Body material:	Metal
nozzle material:	Stainless steel	Working temperatu...:	-20°C+70°C
Max.pressure:	1.0mpa	Nozzle:	with
Hose Size:	Spiral 5 m, PU or PE optional	Air Inlet:	PT/NPT BSP 1/4" Female/male
Packing:	1pcs/bag, 10pcs/ctns		

DG-10/989 macho/hembra BSP1/4 con boquilla de metal power air blow gun DE SEGURIDAD avarita herramientas neumáticas PISTOLA DE PULVERIZACIÓN



pressure	1.5Mpa (15.3kgf/cm)	port size	1/4 " PT钢制接头
Max.pressure	1.0Mpa (10.2kgf/cm)	temperature	-20~70°C



STEEL JOINTS

IMPORTED SEALING RING ENSURES THE MAJOR PARTS DURABLE AND AIRPROOF.

RUBBER SPEARHEAD

IT USES POWERFUL BLOWER WITH LOW CONSUMPTION AND RESISTANCE TO HIGH TEMPERATURE. IT CAN BE USED IN BLOWING DUST ON MECHANICAL EQUIPMENT.



STRONG NOZZLE

AIRFLOW THROUGH THE NARROW TUBE JETS AT HIGH SPEED, WHICH CAN GO DEEP INTO BLIND HOLES AND OTHER COVERT PLACES.

