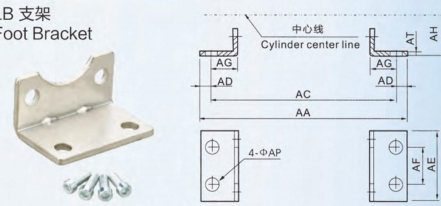


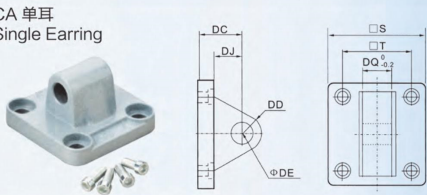
ISO6431 标准气缸安装附件
ISO6431 Standard cylinder accessories

LB 支架
Foot Bracket



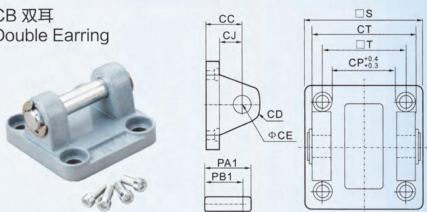
内径 Bore	32	40	50	63	80	100	125	160	200
AA	158	179	190	209	248	266	290	340	380
AC	142	161	170	185	210	228	250	300	320
AD	8	9	10	12	19	19	20	20	30
AE	47	53	65	75	95	115	140	180	220
AF	32	36	45	50	63	75	90	115	135
AG	24	28	32	32	41	45	45	60	70
AH	32	36	45	50	63	71	90	115	135
AP	7	9	9	9	12	14.5	16.5	18.5	24
AT	3	3	3	3	4	4	6	6	9

CA 单耳
Single Earring



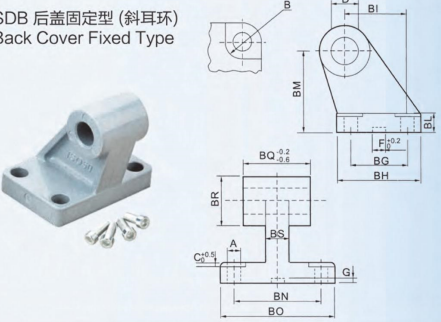
内径 Bore	32	40	50	63	80	100	125	160	200
S	47	53	65	75	95	115	140	180	220
T	32.5	38	46.5	56.5	72	89	110	140	175
DC	22	25	27	32	36	41	50	55	60
DD	9	12	12	15	15	20	25	30	30
DE	10	12	12	16	16	20	25	30	30
DJ	13	16	17	22	22	27	33	35.5	36
DQ	25.8	27.8	31.7	39.7	49.7	59.7	69.7	89.7	89.7

CB 双耳
Double Earring



内径 Bore	32	40	50	63	80	100	125	160	200
CC	22	25	27	32	36	41	50	55	60
CD	9	12	12	15	15	20	25	30	30
CE	10	12	12	16	16	20	25	30	30
CJ	13	16	17	22	22	27	31	35.5	36
CP	26	28	32	40	50	60	70	90	90
CT	45	52	60	70	90	110	130	170	170
PA1	51	59	67	77	97	119	139	181	181
PB1	45.5	52.5	60.5	70.5	90.5	110.5	130.5	170.5	170.5
S	47	53	65	75	95	115	140	180	220
T	32.5	38	46.5	56.5	72	89	110	140	175

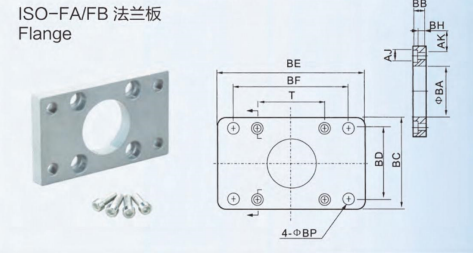
SDB 后盖固定型 (斜耳环)
Back Cover Fixed Type



内径 Bore	32	40	50	63	80	100	125
A	6.6	6.6	9	9	11	11	14
B	11	11	15	15	18	18	20
BG	18	22	30	35	40	50	60
BH	31	35	45	50	60	70	90
BI	21	24	33	37	47	55	70
BL	8	10	10.5	12	14	17	20
BM	32	36	45	50	63	71	90
BN	38	41	50	52	66	76	94
BO	51	54	65	67	86	96	124
BS	12	15	18	22	20	20	30
BR	20	22	26	30	30	38	45
C	1.6	1.6	1.6	1.6	2.5	2.5	3.2
D	10	12	12	16	16	20	25
F	10.5	10.5	10.5	10.5	10.5	10.5	10.5
G	3	3	3	3	3	3	3
BQ	25	28	32	40	50	60	70

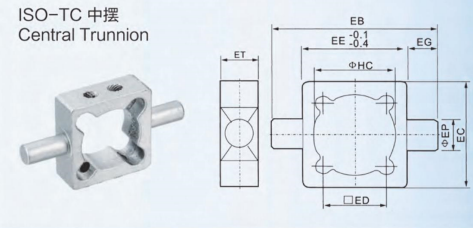
ISO6431 标准气缸安装附件
ISO6431 Standard cylinder accessories

ISO-FA/FB 法兰板
Flange



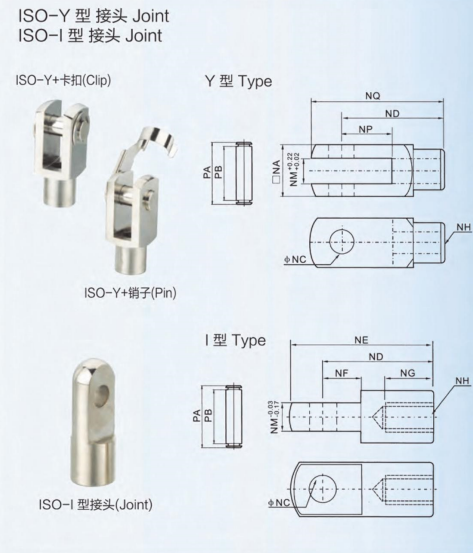
内径 Bore	32	40	50	63	80	100	125	160	200
AJ	11	11	14	14	17	17	19	25	25
AK	7	7	9	9	11	11	13	17	17
BA	30.5	35.5	40.5	45.5	45.5	55.5	60.5	65.5	75.5
BB	10	10	12	12	16	16	20	20	25
BC	47	53	65	75	95	115	140	180	220
BD	32	36	45	50	63	75	90	115	135
BE	80	90	110	125	154	186	224	280	320
BF	64	72	90	100	126	150	180	230	270
BH	4	4	4	6	6	6	8	8	12
BP	7	9	9	9	12.5	14.5	16.5	18.5	24
T	32.5	38	46.5	56.5	72	89	110	140	175

ISO-TC 中摆
Central Trunnion



内径 Bore	32	40	50	63	80	100	125	160	200
EB	100	113	125	140	160	182	-	-	-
EC	52	63	74	80	105	128	-	-	-
ED	32.5	38	46.5	56.5	72	89	-	-	-
EE	52	63	75	90	105	128	-	-	-
EG	25	25	25	25	25	25	-	-	-
EP	12	16	16	20	20	25	-	-	-
ET	20	22	22	28	28	34	-	-	-
HC	37	45	55	68	87	107.5	-	-	-

ISO-Y 型 接头 Joint
ISO-I 型 接头 Joint



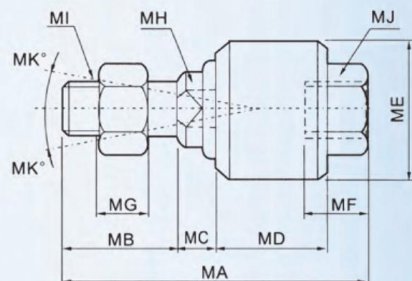
内径 Bore	NA	NC	ND	NE	NF	NG
32	19	10	40	52	15	20
40	25.4	12	48	67	24	20
50	32	16	64	89	32	23
63	32	16	64	89	32	23
80	44.4	20	80	112	40	30
100	44.4	20	80	112	40	30
125	55	30	110	155	50	56
160	70	35	144	201	50	72
200	70	35	144	201	55	72

内径 Bore	NH	NM	NP	NQ	PA	PB
32	M10×1.25	10	20	52	26.2	20
40	M12×1.25	12	24	62	32.8	26.5
50	M16×1.5	16	32	83	39.3	33
63	M16×1.5	16	32	83	39.3	33
80	M20×1.5	20	40	105	53.3	45
100	M20×1.5	20	40	105	53.3	45
125	M27×2.0	30	54	148	64	55.6
160	M36×2.0	35	72	191	80	70.6
200	M36×2.0	35	72	191	80	70.6

气缸
Cylinder

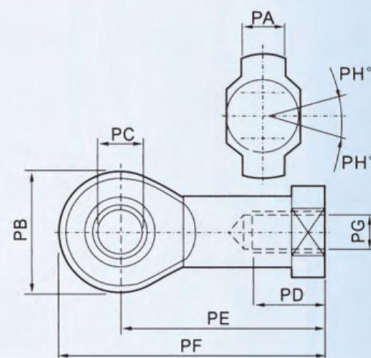
ISO6431 标准气缸安装附件
ISO6431 Standard cylinder accessories

ISO-UJ 浮动接头
Float Joint



内径 Bore	MA	MB	MC	MD	ME	MF	MG	MH	MI	MK
32	58	22	7	21	26	11.5	7	10	M10×1.25	12
40	58	22	8	21	28	11.5	8	12	M12×1.25	12
50	90	27	10	41	44.5	20	10	17	M16×1.5	7
63	90	27	10	41	44.5	20	10	17	M16×1.5	7
80	102	29	13	46	53	24	13	22	M20×1.5	10
100	102	29	13	46	53	24	13	22	M20×1.5	10
125	147	54	13	64	62	39	14	30	M27×2.0	9
160	251	72	22	115	80	80	18	36	M36×2.0	4
200	251	72	22	115	80	80	18	36	M36×2.0	4

ISO-PHS 鱼眼接头
Fisheye Joint



内径 Bore	PA	PB	PC	PD	PE	PF	PG	PH
32	11	26	10	21	43	56	M10×1.25	13
40	12	30	12	24	50	65	M12×1.25	13
50	15	38	16	33	64	83	M16×1.5	15
63	15	38	16	33	64	83	M16×1.5	15
80	18	46	20	40	77	100	M20×1.5	15
100	18	46	20	40	77	100	M20×1.5	15
125	37	70	30	51	110	145	M27×2.0	15
160	43	80	35	56	125	165	M36×2.0	16
200	43	80	35	56	125	165	M36×2.0	16