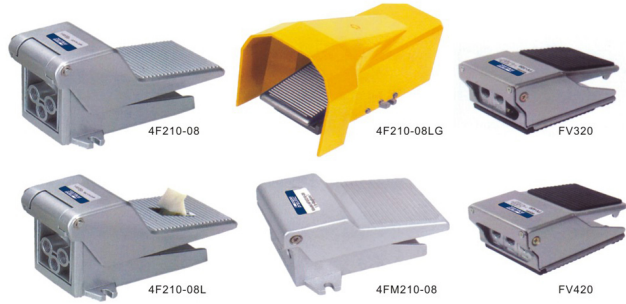


# 脚踏阀 Foot Valve



## 订购码 Ordering Code

**4F**

**规格代码**  
4F: 二位五通脚踏阀  
**Specification Code**  
4F: Two-position  
Five-way Foot Valve

**2**

**系列代号**  
Series No.  
2: 200系列  
2: 200 Series

**10**

**位置数**  
10: 单头双位置  
Number of Places  
10: Single-head  
Double-position

**08**

**接口口径**  
Joint Pipe Bore  
08: G1/4"

**L**

**型式代号**  
空白: 标准型  
L: 附锁型  
G: 附罩型  
LG: 附锁及罩型  
**Type Code**  
Blank: standard type  
L: with lock  
G: with cover  
LG: with lock and cover

**FV**

**规格代码**  
FV: 脚踏阀  
**Specification Code**  
FV: Foot Valve

**320**

**位通数**  
320: 二位三通  
420: 二位四通  
**Position and Way Number**  
320: Two-position Three-way  
420: Two-position Four-way

**4FM**

**规格代码**  
4FM: 二位四通迷你脚踏阀  
3FM: 二位三通迷你脚踏阀  
**Specification Code**  
4FM: Two-position Four-way Mini Foot Valve  
3FM: Two-position Three-way Mini Foot Valve

**2**

**系列代号**  
Series No.  
2: 200 Series

**10**

**位置数**  
10: 单头双位置  
Number of Places  
10: Single-head  
Double-position

**08**

**接口口径**  
Joint Pipe Bore  
M5, M5  
06: PT1/8  
08: PT1/4

**L**

**形式代号**  
空白: 标准型  
L: 附锁型  
**Type Code**  
Blank: standard type  
L: with lock

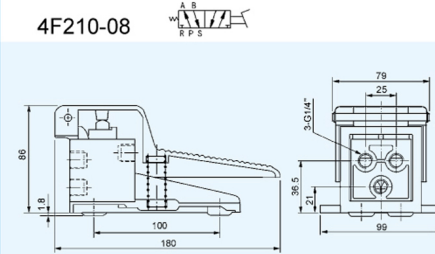
## 规格 Specification

| 型号 Model                           | 4F210-08   | 4F210-08L | 4F210-08G   | 4F210-08LG                    | FV420  | FV320                         | 4FM210-08                    | 3FM210-08                     |
|------------------------------------|--|-----------|---|-------------------------------|--|-------------------------------|------------------------------|-------------------------------|
| 工作介质 Working Medium                | 经40微米过滤的空气 / 40 Micron Filtered Air                  |           |   |                               |  |                               |                              |                               |
| 位通数 Position and Way NO.           | 二位五通 / Two-position Five-way                         |           | 二位四通 / Two-position Four-way                                    | 二位三通 / Two-position Three-way | 二位四通 / Two-position Four-way                         | 二位三通 / Two-position Three-way | 二位四通 / Two-position Four-way | 二位三通 / Two-position Three-way |
| 动作形式 Motion Pattern                | 直动式 / Direct Drive Type                              |           |   |                               |  |                               |                              |                               |
| 接口口径 Joint Pipe Bore               | 进气=出气=排气=G1/4"<br>Air Inlet=Air Outlet=Exhaust=G1/4" |           | 进气=出气=G1/4" 排气=G1/8"<br>Air Inlet=Air Outlet=G1/4 Exhaust=G1/8" |                               | 进气=出气=排气=G1/4"<br>Air Inlet=Air Outlet=Exhaust=G1/4" |                               |                              |                               |
| 使用压力范围 Working-pressure Range      | 0.15~0.9MPa  |           |   |                               |  |                               |                              |                               |
| 使用温度范围 Operating Temperature Range | 0~60°C   |           |   |                               | -5~60°C  |                               |                              |                               |

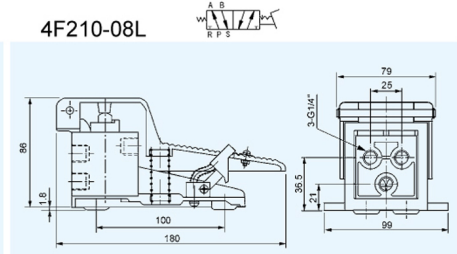
# 脚踏阀 Foot Valve

## 外形尺寸 Overall Dimension

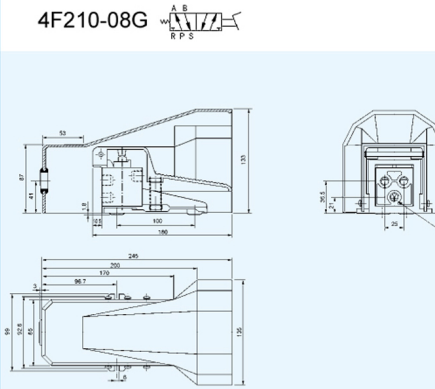
4F210-08



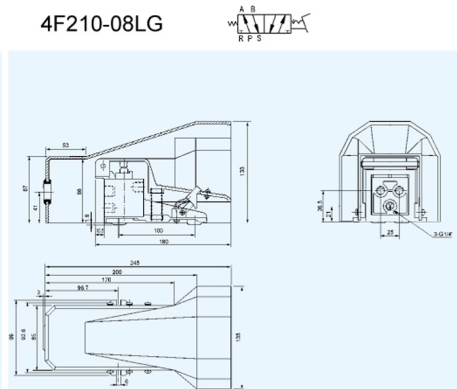
4F210-08L



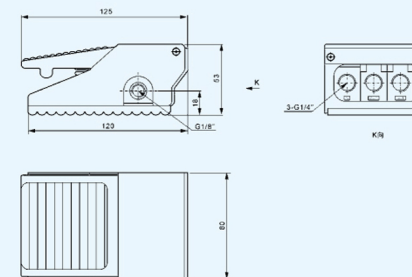
4F210-08G



4F210-08LG



FV420



电磁阀  
Solenoid Valve