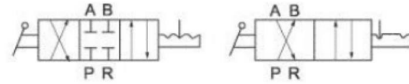


Rotary lever valve 4HV series

Symbol:



4HV310-10

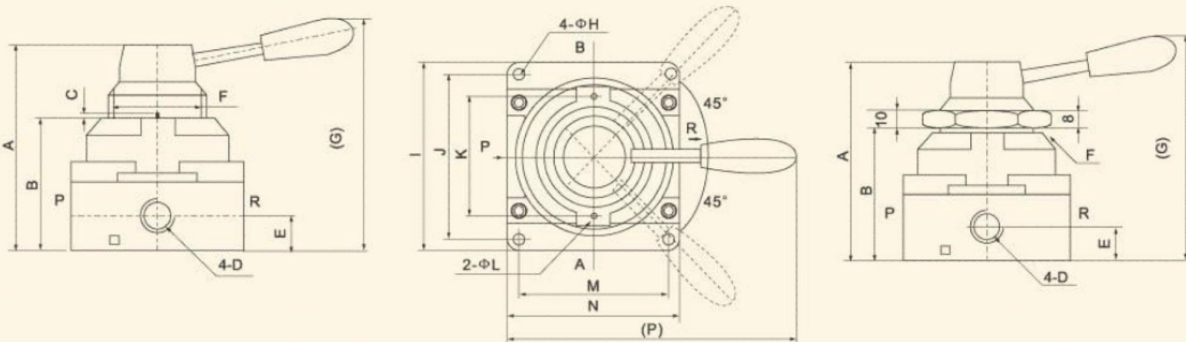
How to order

4HV	2	30	- 06	S
Rotary lever valve	Series	Position & port	Port size	Mounting type
	2: 2 series	10: 2/4way	06: 1/8"	Nil: valve
	3: 3 series	30: 3/4 way	08: 1/4"	body mounting
	4: 4 series		10: 3/8"	S: panel mounting
			15: 1/2"	
			20: 3/4"	

Specification

Model	4HV2 □□ -06	4HV2 □□ -08	4HV3 □□ -08	4HV3 □□ -10	4HV4 □□ -15	4HV4 □□ -20
Fluid	Air (filtered through 40μ filter element)					
Valve type	4/3 way 4/2 way					
Port size	1/8"	1/4"	1/4"	3/8"	1/2"	3/4"
Effective area (mm ²)	14(0.78)	16(0.89)	30(1.67)	33(1.83)	88(4.89)	95(5.27)
Pressure range	0-10kgf/cm ²					
Proof pressure	15kgf/cm ²					
Ambient & fluid temperature	5-60°C					
Operating angle	90°C					
Weight (kg)						
Main parts material	Aluminum alloy					
Body Seal	Nylon					

Dimension



Model	A	B	C	D	E	F	G	H	I	J	K	L	M	N	P
4HV2 □□ -06	72.6	45	1.5	PT1/8	11.5	M34x1.5	92.5	5	62	49	40	3	49	62	120
4HV2 □□ -08	72.6	45	1.5	PT1/4	11.5	M34x1.5	92.5	5	62	49	40	3	49	62	120
4HV3 □□ -08	88.5	56	1.5	PT1/4	13.5	M40x1.5	104	6.6	74	62	51	3	62	74	140
4HV3 □□ -10	88.5	56	1.5	PT3/8	13.5	M40x1.5	104	6.6	74	62	51	3	62	74	140
4HV4 □□ -15	110.3	72	2	PT1/2	18	M52x1.5	126	6.6	102	89	64	3	81	94	160
4HV4 □□ -20	110.3	72	2	PT3/4	18	M52x1.5	126	6.6	102	89	64	3	81	94	160