

## 机械阀 Mechanical Valve



电磁阀  
Solenoid  
Valve

### 订购码 Ordering Code

**MSV**

规格代码  
机械阀  
Specification Code  
Mechanical Valve

**86**

系列代号  
86系列  
98系列  
Series Code  
86 Series  
98 Series

**32**

位通数  
32: 二位三通  
52: 二位五通  
Position and Way NO.  
32: Two-position Three-way  
52: Two-position Five-way

**1**

接口口径  
Joint Pipe Bore  
1: G1/8"  
2: G1/4"

**R**

按钮形式 / Button Type  
空白: 基本型 / Blank: Basic Type  
R: 滚轮型 / Roller Type  
TB: 选择型旋钮 / Selective Knob  
LB: 加长型旋钮 / Strengthened Knob  
PB: 大圆型按钮 / Large Round Button  
PP: 平圆型按钮 / Flat Round Button  
PPL: 凸圆型按钮 / Convex Round Button  
EB: 带锁型按钮 / With Lock Button

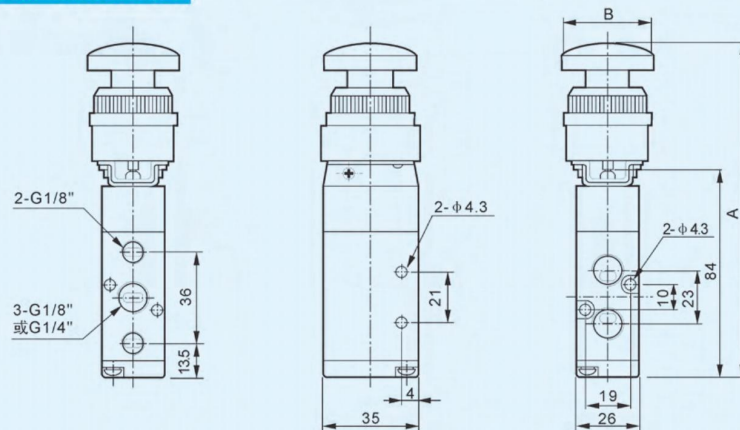
### 规格 Specification

型号 Model	MSV86321	MSV86522	MSV98322
工作介质 Working Medium	经40微米过滤的空气 / 40 Micron Filtered Air		
位通数 Position and Way NO.	二位三通 Two-position Three-way	二位五通 Two-position Five-way	二位三通 Two-position Three-way
有效截面积 Effective Sectional Area	12mm <sup>2</sup> (CV=0.67)	16mm <sup>2</sup> (CV=0.89)	16mm <sup>2</sup> (CV=0.89)
接口口径 Joint Pipe Bore	G1/8"	G1/4"	G1/4"
使用压力范围 Working-pressure Range	0~0.8MPa		
使用温度范围 Operating Temperature	0~60℃		

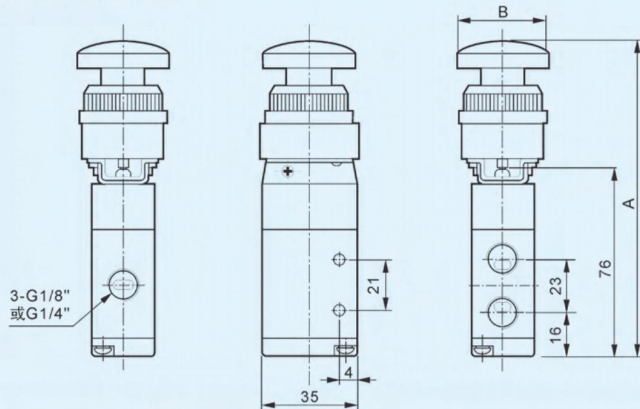
# 机械阀 Mechanical Valve

## 外形尺寸 Overall Dimension

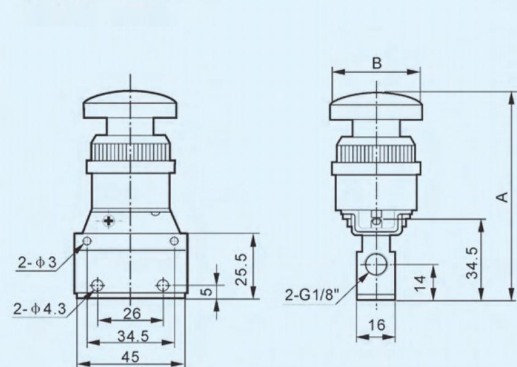
MSV86522



MSV98322



MSV86321



## 尺寸表 Dimension Sheet

系列 / Series	符号 / 型号 Symbol / Model	PP	PPL	LB	TB	EB	PB	R
MSV86522	A	114	119	133	136.5	134	131	107.5
	B	39.5	24.5	26.5	36.5	39.5	37.5	42.5
MSV98322	A	106	111	125	129.5	126	123	99.5
	B	39.5	24.5	26.5	36.5	39.5	37.5	42.5
MSV86321	A	66	71	85	88.5	86	83	59.5
	B	39.5	24.5	26.5	36.5	39.5	37.5	42.5

